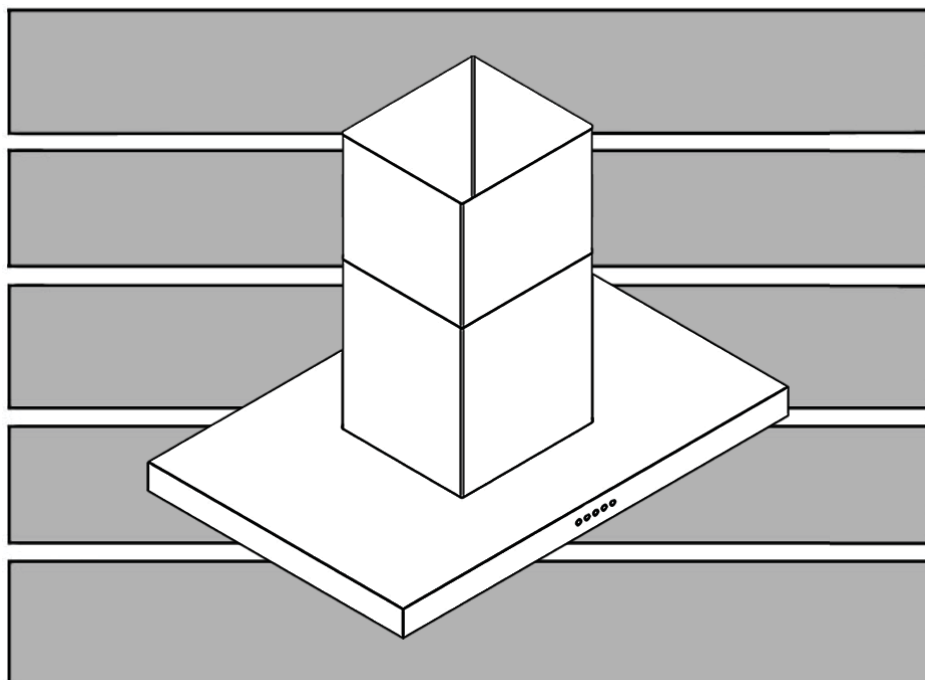


# KOBE® KOBE Range Hoods

## Brillia Series

### ISX21 SQB-2 Series

Model No.: ISX2130SQB-2 (30") / ISX2130SQB-DC37-2 (30")  
ISX2136SQB-2 (36") / ISX2136SQB-DC37-2 (36")  
ISX2142SQB-2 (42") / ISX2142SQB-DC37-2 (42")



INSTALLATION INSTRUCTIONS  
AND OPERATION MANUAL

# IMPORTANT READ THIS FIRST

## READ BEFORE INSTALLATION

1. Carefully check all contents of package(s).
2. Thoroughly inspect the unit for any shipping damages, cosmetic damages or defects.
3. Have a certified contractor/electrician test the unit before installation.

## IF THERE IS ANY PROBLEM:

1. **DO NOT INSTALL THE UNIT AND KEEP ALL ORIGINAL PACKAGING MATERIAL.**
2. Have your original invoice as proof of purchase and product serial number ready.
3. Contact your merchant for product replacement due to shipping damages, cosmetic damages or defects.
4. For all other issues, email [customer.service@koberangehoods.com](mailto:customer.service@koberangehoods.com).

## NO RETURN, NO REFUND, NO EXCHANGE IF:

1. PRODUCT HAS BEEN INSTALLED
2. KNOCK-OUT HOLES HAVE BEEN PUNCTURED
3. MISSING ORIGINAL PACKAGING MATERIAL AND/OR PARTS

# [ENGLISH]

- READ AND SAVE THESE INSTRUCTIONS -

## CONTENTS

IMPORTANT SAFETY INSTRUCTIONS.....	1
COMPONENTS OF PACKAGE.....	3
INSTALLATION.....	4
OPERATING INSTRUCTIONS.....	7
MAINTENANCE.....	8
SPECIFICATIONS.....	9
MEASUREMENTS & DIAGRAMS.....	10
PARTS LIST.....	12
CIRCUIT DIAGRAM.....	14
TROUBLE SHOOTING.....	15
WARRANTY.....	16
WARRANTY INFORMATION FORM.....	18

- READ ALL INSTRUCTIONS CAREFULLY BEFORE STARTING -

ALL WIRING MUST BE DONE BY A PROFESSIONAL AND IN ACCORDANCE WITH NATIONAL AND LOCAL ELECTRICAL CODES



## IMPORTANT SAFETY INSTRUCTIONS

- PLEASE READ THIS SECTION CAREFULLY BEFORE INSTALLATION -

**⚠WARNING:** TO REDUCE THE RISK OF FIRE, ELECTRIC SHOCK OR PERSONAL INJURY, OBSERVE THE FOLLOWING:

- 1) Installation and electrical wiring must be done by qualified professionals and in accordance with all applicable codes and standards, including fire-rated construction.
- 2) When cutting or drilling into wall or ceiling, be careful not to damage electrical wiring or other hidden utilities.
- 3) Ducted fans must be vented to the outside.
  - a) Before servicing or cleaning unit, open the light panel and SWITCH POWER OFF AT SERVICE PANEL.
  - b) Clean all grease laden surfaces frequently. To reduce the risk of fire and to disperse air properly, make sure to vent air outside. DO NOT vent exhaust air into wall spaces, attics, crawl spaces or garages.

NOTE - This warranty is void without an authorized agent's receipt or if unit is damaged due to misuse, poor installation, improper use, mistreatment, negligence or any other circumstances beyond the control of KOBE RANGE HOODS authorized agents. Any repair carried out without the supervision of KOBE RANGE HOODS' authorized agents will automatically void the warranty.

- KOBE RANGE HOODS will not be held responsible for any damages to personal property or real estate or any bodily injuries whether caused directly or indirectly by the range hood.

**⚠WARNING:** TO REDUCE THE RISK OF PERSONAL INJURY IN THE EVENT OF A RANGE TOP GREASE FIRE:

1. Keep all fan, baffle/spacer/filter/oil tunnel/oil container and grease-laden surfaces clean. Grease should not be allowed to accumulate on fan, baffle/spacer/filter/oil tunnel/oil container.
2. Always turn hood ON when cooking.
3. Use high settings on cooking range ONLY when necessary.
4. Do not leave cooking range unattended when cooking.
5. Always use cookware and utensils appropriate for the type and amount of food prepared.
6. Use this unit only in the manner intended by the manufacturer.
7. Before servicing, switch power off at service panel and lock service panel (if possible) to prevent power from switching on accidentally.
8. Clean ventilating fan frequently.

### **What to Do In The Event Of a Range Top Grease Fire**

- SMOTHER FLAMES with a tight fitting lid, cookie sheet, or metal tray, and then turn off the burner. KEEP FLAMMABLE OR COMBUSTIBLE MATERIAL AWAY FROM FLAMES. If the flames do not go out immediately, EVACUATE THE AREA AND CALL THE FIRE DEPARTMENT or 911.
- NEVER PICK UP A BURNING PAN – You May Get Burned.
- DO NOT USE WATER, including wet dishcloths or towels – a steam blast will result.
- Use an extinguisher ONLY if:
  - a) You have a Class A, B, C extinguisher and know how to operate it.
  - b) The fire is small and contained in the area where it started.
  - c) The fire department has been called.
  - d) You can fight the fire with your back to an exit.

### **What to Do If You Smell Gas**

- Extinguish any open flame.
- Do not try to turn on the lights or any type of appliance.
- Open all doors and windows to disperse the gas. If you still smell gas, call the Gas Company and Fire Department right away.

### **CAUTION**

- 1) For general ventilation use only. Do not use to exhaust hazardous or explosive materials and vapors.
- 2) To reduce the risk of fire, use only metal ductwork. Sufficient air is needed for proper combustion and exhausting of gases through the flue (chimney) to prevent back drafting.
- 3) Follow the heating equipment manufacturer's guideline and safety standards such as those published by the National Fire Protection Association (NFPA), and the American Society for Heating, Refrigeration and Air Conditioning Engineers (ASHRAE), and code authorities.
- 4) Activating any switch on may cause ignition or an explosion.
- 5) Due to the size and weight of this hood, installation by 2 persons is recommended.

#### **WARNING**



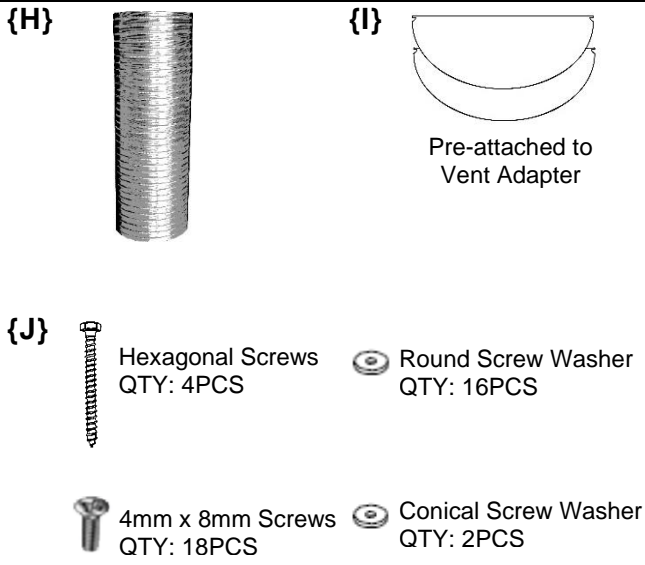
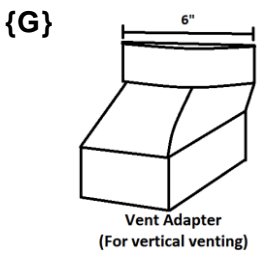
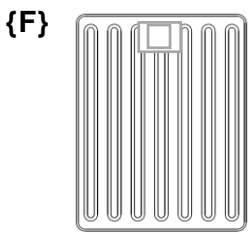
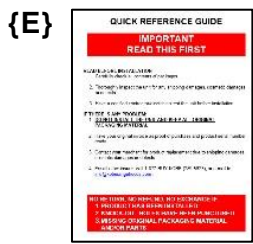
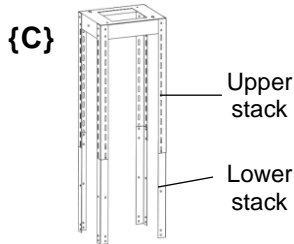
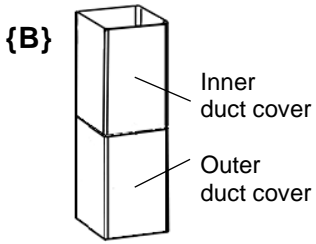
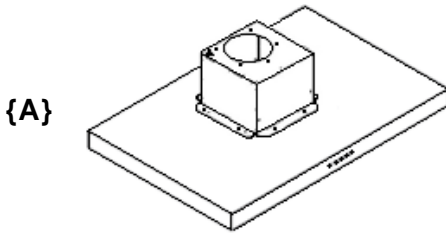
**ELECTRICAL SHOCK HAZARD – Can result in serious injury or death. Disconnect appliance from electric power before servicing. If equipped, the fluorescent light bulb contains small amounts of mercury, which must be recycled or disposed of according to Local, State, and Federal Codes.**

# CONTENTS OF PACKAGE

(Must keep all material for returns or refunds)

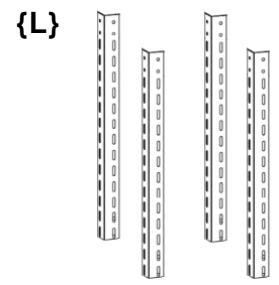
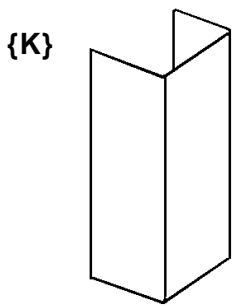
## ISX21 SQB-2 Series Range Hood Box

- {A} Range Hood Body (w/ motor) – 1
- {B} 2-pc Duct Cover – 1
- {C} Telescopic Stack – 1
- {D} Warranty Registration Card – 1
- {E} Quick Reference Guide – 1
- {F} Baffle Filters x 2 (30" hood)  
x 3 (36" & 42" hood)
- {G} 6" Round Vent Adapter  
(for vertical venting)
- {H} Aluminum Duct Pipe
- {I} Flapper/Damper (2 pcs)
- {J} Screw Package



## ISX21DC37-O (1-piece Outer Duct Extension) (Included in ISX21 SQB-DC37-2 only)

- {K} 1-piece Outer Duct Extension  
Model No.: ISX21DC37-O
- {L} Telescopic Stack Extension Bars x4



◆ FOR MORE INFORMATION, PLEASE VISIT OUR WEBSITE [www.koberangehoods.com](http://www.koberangehoods.com).

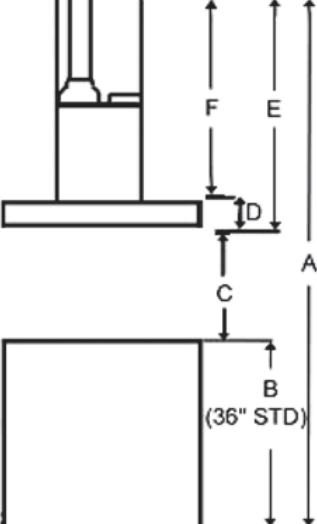
## INSTALLATION

PLEASE READ ENTIRE INSTRUCTIONS BEFORE PROCEEDING

### Calculation before Installation

To calculate installation, please refer to TABLE 1 (all calculations are in inches.)

#### - FOR ISLAND -

TABLE 1	
<p>A = Height of Floor to Ceiling B = Height of Floor to Counter Top (Standard: 36") <b>C = Preferred Height of Counter Top to Hood Bottom (Recommended 30" to 36")</b> D = Height of Hood E = Height of the Hood Installation [A - (B+C)] F = Height of Duct Cover [E - D]</p>	

### **SAFETY WARNING**

- HOOD MAY HAVE SHARP EDGES; PLEASE WEAR PROTECTIVE GLOVES IF REMOVING ANY PARTS FOR INSTALLING, CLEANING, OR SERVICING.
- BE CAREFUL WHEN USING ELECTRICAL SCREWDRIVER, DAMAGE TO THE HOOD MAY OCCUR. USING HAND TOOLS IS RECOMMENDED. DO NOT OVER TIGHTEN SCREWS.
- MAKE SURE TO PREVENT ANY DEBRIS FROM ENTERING THE VENT OPENING TO AVOID DAMAGE OR MALFUNCTION.

## **ISLAND INSTALLATION**

*\*\*Installation videos available at [www.koberangehoods.com](http://www.koberangehoods.com)\*\**

### **Before Installation**

1. Read any provided document(s).
2. Test the range hood by temporarily connecting to an outlet and turning ON the fan and lights.
3. If you run into any problems, contact KOBE Range Hoods.

### **Venting Requirements**

4. This range hood has top 6" round exhaust.
5. Decide the location of the venting pipe from the hood to the outside. A straight, short vent run will allow the hood to perform more efficiently. Try to avoid elbows, transitions, and long run as much as possible as this may reduce the performance of the hood. Make sure that the duct work leads to the outside.

- It is recommended to use metal/aluminum duct/pipe with a uniform size (ex. 6" round pipe from range hood to the outside).
- If an elbow is necessary, a minimum of 12" straight run is necessary before the elbow.

### Clearance

- Clearance is the distance between the cooktop and the bottom of the range hood. The recommended minimum clearance for this model is 30" and the maximum clearance is 36".
- It is important to install the hood at the recommended clearance. Installing too low could result in damage and/or fire hazard while installing too high may result in reduced performance and efficiency.

### Ceiling Preparation

- Mark the centerline of the cooktop/range on the ceiling. Use that centerline to determine the position of the range hood as shown in Figure 1.
- Cut and remove the ceiling drywall. Install a 2" x 4" cross lumber frame (not provided) between ceiling joists as shown in Figure 2.
- The frame should be 7-7/8" on center between front and back and 9-7/16" on center between both sides.
- Once the frame is installed, close the ceiling surface. Make sure to mark the location of the ceiling joists and the lumber frame.
- After closing the ceiling, cut a hole approximately 6"-6-1/2" for the duct opening and a 1" wire access hole.

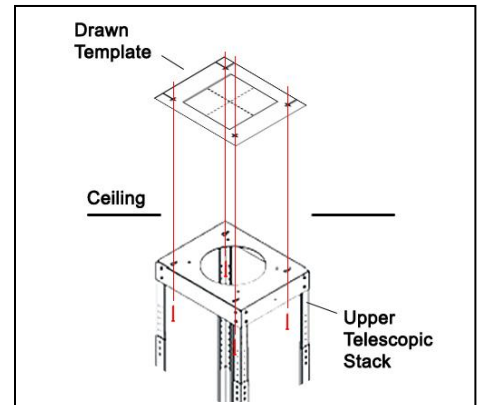


Figure 1

### Hood Installation

- Detach the lower telescopic stack from the upper telescopic stack as shown in Figure 3.
- Attach the lower telescopic stack to the hood motor box using the 4mm x 8mm screws and the round screw washers. Then attach the upper telescopic stack to the lower telescopic stack. Adjust the height of the stack according to your desired height. The end result should be as shown on Figure 4.
- Align the telescopic stack to the mounting surface on the ceiling then attach it by securing the provided mounting screws into the ceiling joist and cross lumber frame. Make sure the screws are inserted at the middle of the joists and cross lumber frame for maximum support and stability.

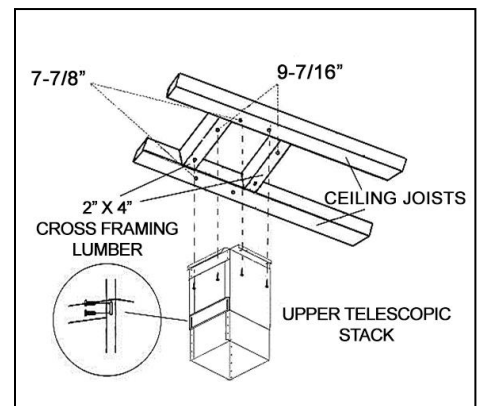


Figure 2

**⚠ CAUTION: MAKE SURE THE TELESCOPIC STACK IS SECURE BEFORE RELEASING.**

- Prior to placing the duct covers, complete the ductwork installation first. See the ductwork section.
- Attach the inner duct cover to the upper telescopic stack. The inner duct cover has two screw holes at the top on opposite sides.
- Connect the outer duct cover at the bottom of the stack. Note the outer duct cover does not need screws to be attached.



Figure 3

### Ductwork

- Connect the pipe onto the vent adapter and seal the joint with duct tape. Make sure that it is completely air tight.



## Electrical Wire

22. Connect the range hood to an outlet.
23. If hardwired is desired, cut off the plug and connect three wires (black, white, green) to the outlet wires and cap with wire connectors. Connect the wires according to color (ex: black to black).

## Finish

24. Remove any protective film off the hood, if any.
25. Before using, make sure that any accessories such as filters are properly installed where applicable.
26. Test the range hood to see if it is working properly.

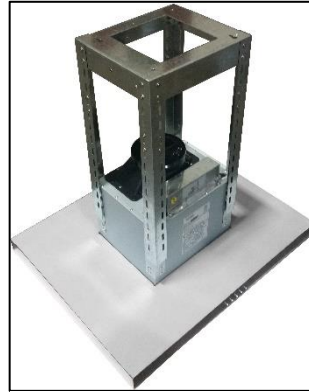


Figure 4

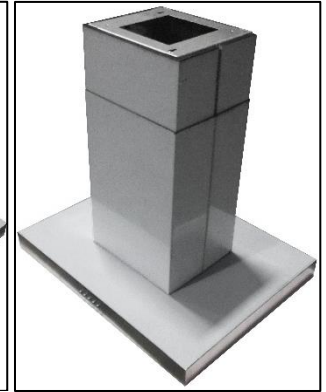
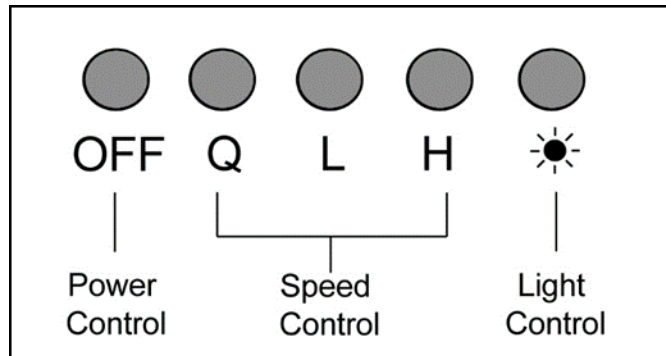


Figure 5

**⚠ THIS RANGE HOOD MUST BE PROPERLY GROUNDED. MAKE SURE THIS IS DONE BY QUALIFIED ELECTRICIAN IN ACCORDANCE WITH ALL APPLICABLE NATIONAL AND LOCAL ELECTRICAL CODES. BEFORE CONNECTING WIRES, SWITCH POWER OFF AT SERVICE PANEL AND LOCK SERVICE PANEL TO PREVENT POWER FROM BEING SWITCHED ON ACCIDENTALLY.**

## OPERATING INSTRUCTIONS

### 3-Speed Mechanical Control



Note: For best results, turn fan on prior to any preparation or cooking and keep fans running while cooking. Adjust speed as necessary.

### Button Control

- OFF = Turns the range hood OFF.
- Q = Lowest fan speed (QuietMode).
- L = Middle fan speed (Low).
- H = Highest fan speed (High).
- ☀ = Turns the lights ON/OFF.

### Power Control

To turn the hood off, press the OFF button once while it is ON.

### Speed Control

Press the speed buttons (Q, L, and H) to increase/decrease the fan speed level.

### Light Control

Press the light button to turn ON/OFF the lights.

## MAINTENANCE

For optimal performance, clean the range hood surface and baffles regularly.

### To Clean Hood Surface

**CAUTION: NEVER USE ABRASIVE CLEANERS, PADS, OR CLOTHS.**

\*\*\* Regular care will help preserve its fine appearance.

1. Use only mild soap or detergent solutions. Dry surfaces using soft cloth.
2. If hood looks splotchy (stainless steel hood), use a stainless steel cleaner to clean the surface of the hood. Avoid getting cleaning solution onto or into the control panel. Follow directions of the stainless steel cleaner. **Caution: Do not leave on too long as this may cause damage to hood finish.** Use soft towel to wipe off the cleaning solution, gently rub off any stubborn spots. Use dry soft towel to dry the hood.
3. DO NOT allow deposits to accumulate or remain on the hood.
4. DO NOT use ordinary steel wool or steel brushes. Small bits of steel may adhere to the surface and cause rusting.
5. DO NOT allow salt solutions, disinfectants, bleaches, or cleaning compounds to remain in contact with stainless steel for extended periods. Many of these compounds contain chemicals, which may be harmful. Rinse with water after exposure and wipe dry with a clean lint free cloth.

### For Baffle Filter models only: to Clean Baffle Filter/Oil Tunnel

**CAUTION: DRAIN OIL FROM BAFFLE FILTERS, SPACERS & OIL TUNNEL REGULARLY TO PREVENT OVERFLOW.**

1. Remove all the baffle filters, spacers and oil tunnel. Note: Not all models have spacers and oil tunnels.
2. Using a sponge, wash with warm soapy water. Dry completely before returning into place. **CAUTION: SHARP EDGES** (Note: Baffle Filters are top rack dishwasher safe.)

## SPECIFICATIONS

<b>MODEL / SIZE</b>	ISX2130SQB-2 / ISX2130SQB-DC37-2 (30") ISX2136SQB-2 / ISX2136SQB-DC37-2 (36") ISX2142SQB-2 / ISX2142SQB-DC37-2 (42")		
<b>MATERIAL</b>	20-Gauge Commercial Grade Stainless Steel		
<b>CONSUMPTION / AMPERE</b>	120W / 2.5A		
<b>NUMBER OF BLOWER</b>	1		
<b>DESIGN</b>	Seamless / Satin Finish		
<b>BLOWER TYPE</b>	Single Horizontal Squirrel Cage		
<b>EXHAUST</b>	Top: 6" Round (available only with a 6" Round Vent Adapter [provided])		
<b>CONTROLS</b>	Mechanical Push Button (3-Speed)		
<b>LIGHTS</b>	3-watt LED light x 4		
<b>HOOD BODY DIMENSION (W x D x H)</b>	<b>ISX2130SQB-2 / ISX2130SQB-DC37-2</b>	29-3/4" x 23-5/8" x 2-3/8"	
	<b>ISX2136SQB-2 / ISX2136SQB-DC37-2</b>	35-3/4" x 23-5/8" x 2-3/8"	
	<b>ISX2142SQB-2 / ISX2142SQB-DC37-2</b>	41-3/4" x 23-5/8" x 2-3/8"	
<b>DUCT COVER DIMENSION (W x D x H)**</b>	Standard Duct Cover (2 pc. adjustable)		
	<b>ISX21DC-2</b>	13-9/16" x 11-1/4" x (25-1/4" ~ 39-3/4")	
	Outer Duct Extension (1 pc. Outer Duct Extension)		
	<b>ISX21DC37-O</b>	13-9/16" x 11-1/4" x (41-3/8" ~ 57-1/8")	
<b>HOOD WEIGHT (lbs)***</b>		<u>Net</u>	<u>Gross</u>
	ISX2130SQB-2 (30")	69.0	88.0
	ISX2136SQB-2 (36")	73.0	92.0
	ISX2142SQB-2 (42")	79.0	101.0
<b>SPEED</b>	QuietMode™	Low	High
<b>Air Capacity (CFM)</b>	280	450	680
<b>Sone* (dB)</b>	1.0 (40)	2.2 (51)	5.0 (63)

\*One sone is equivalent to the sound of a refrigerator at 40 decibels.

\*\*Duct cover height when duct cover is installed.

\*\*\*Hood weight includes standard duct cover.

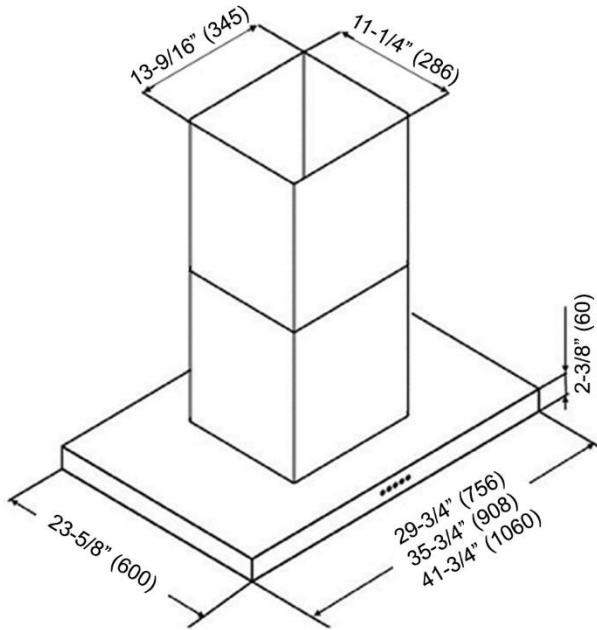
\*\*\*\*Specifications subject to change without notice.

## MEASUREMENTS & DIAGRAMS

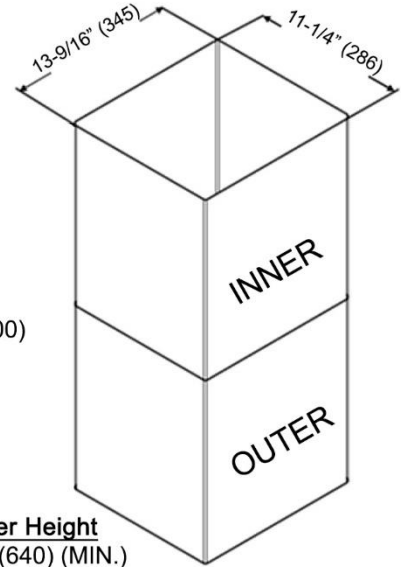
\*\*\*All inch measurements are converted from millimeters. Inch measurements are estimated.

\*\*\*All measurements in ( ) are millimeters.

**MODEL NO.: ISX2130SQB-2 (30") / ISX2136SQB-2 (36") / ISX2142SQB-2 (42")**

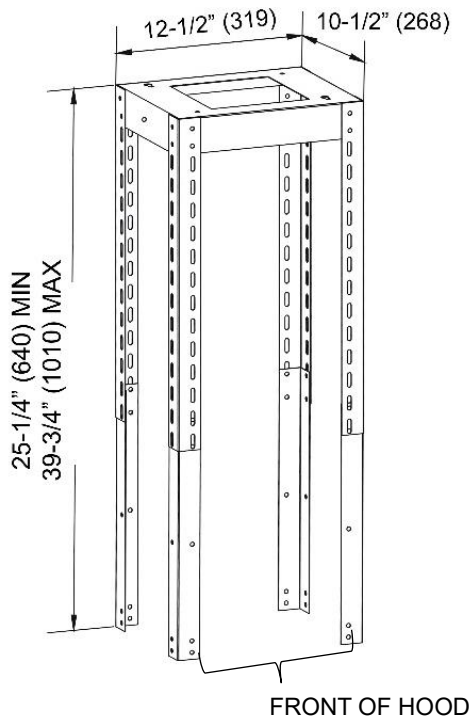


30" (Includes 2 baffle filters)  
 36" (Includes 3 baffle filters)  
 42" (Includes 3 baffle filters)

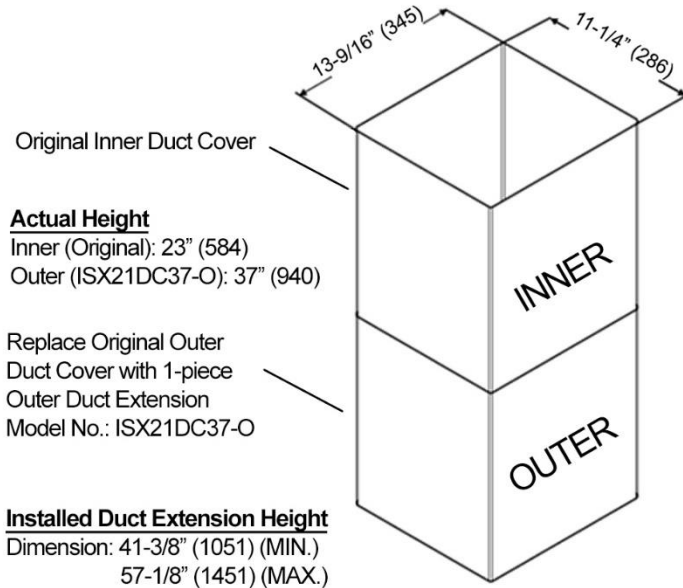


**Actual Height**  
 Inner: 23" (584)  
 Outer: 19-11/16" (500)

**Installed Duct Cover Height**  
 Dimension: 25-1/4" (640) (MIN.)  
 39-3/4" (1010) (MAX.)

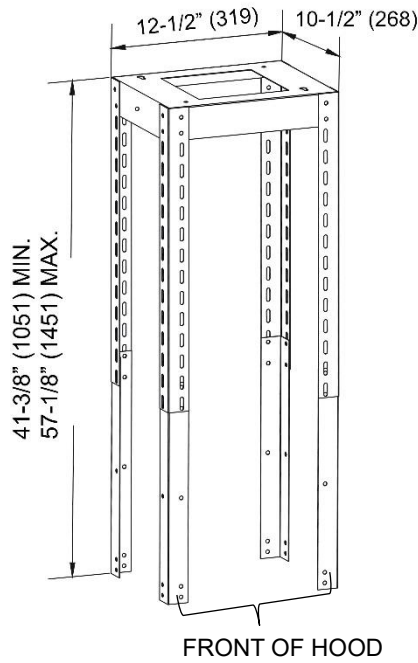


**MODEL NO.: ISX2130SQB-DC37-2 / ISX2136SQB-DC37-2 / ISX2142SQB-DC37-2**



**Extension Duct Cover  
 ISX21DC37-O**

\* For the diagram of hood dimension, please refer to Page 10.

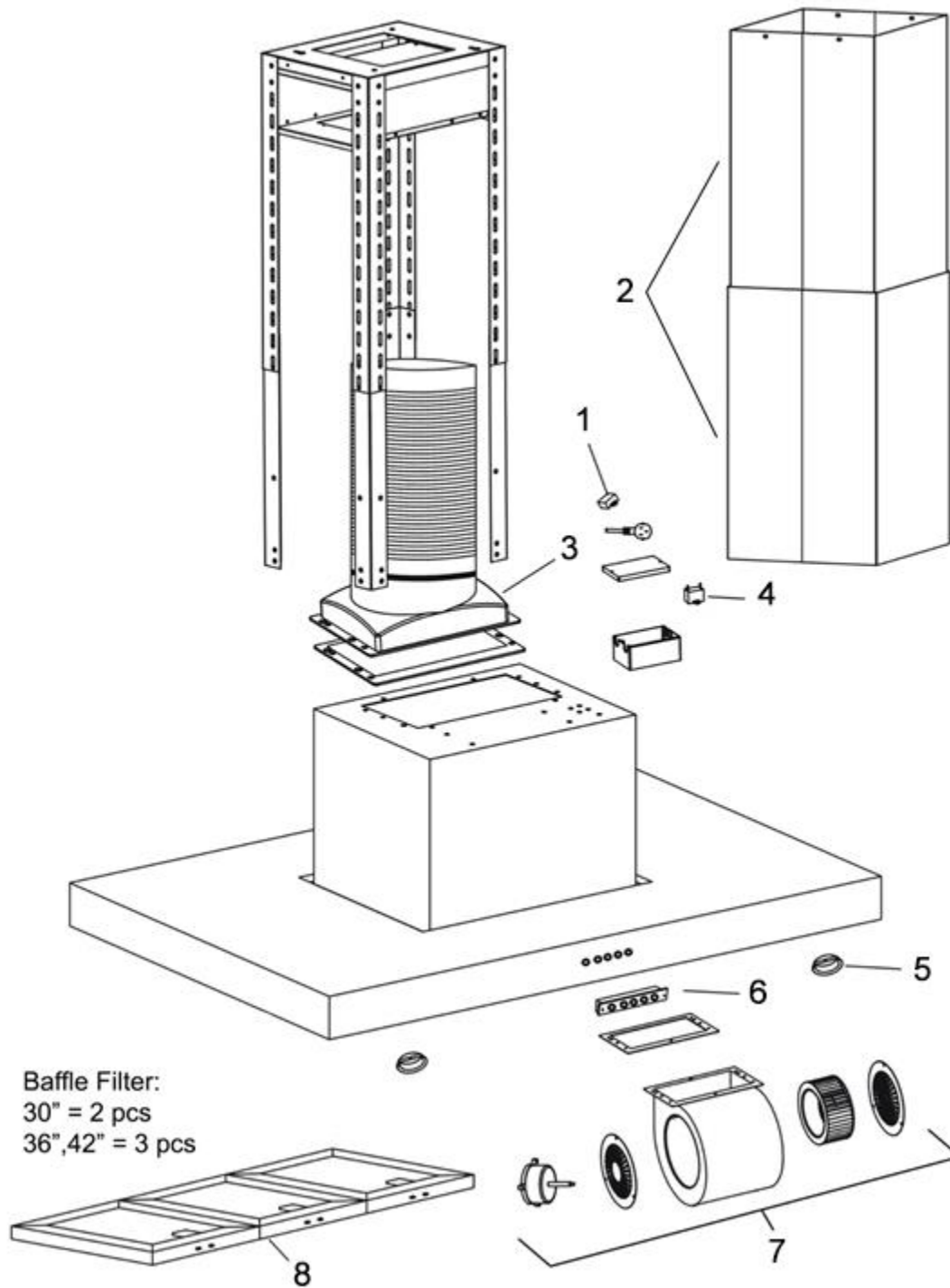


## PARTS LIST

**MODEL NO.:** ISX2130SQB-2 / ISX2130SQB-DC37-2 (30")  
ISX2136SQB-2 / ISX2136SQB-DC37-2 (36")  
ISX2142SQB-2 / ISX2142SQB-DC37-2 (42")

<b>NO.</b>	<b>DESCRIPTION</b>	<b>MODEL / SIZE</b>	<b>PART NO.</b>
1	LED Driver x 2		02-001
2	Duct Cover	ISX21DC-2	ISX21-02-002
3	6" Exhaust Vent		02-003
4	Capacitor (12uF, 250 VAC)		02-004
5	LED Light (3W)		02-005
6	Control Unit		02-006
7	Blower System		YYC-148-3
8	Baffle Filter		02-007

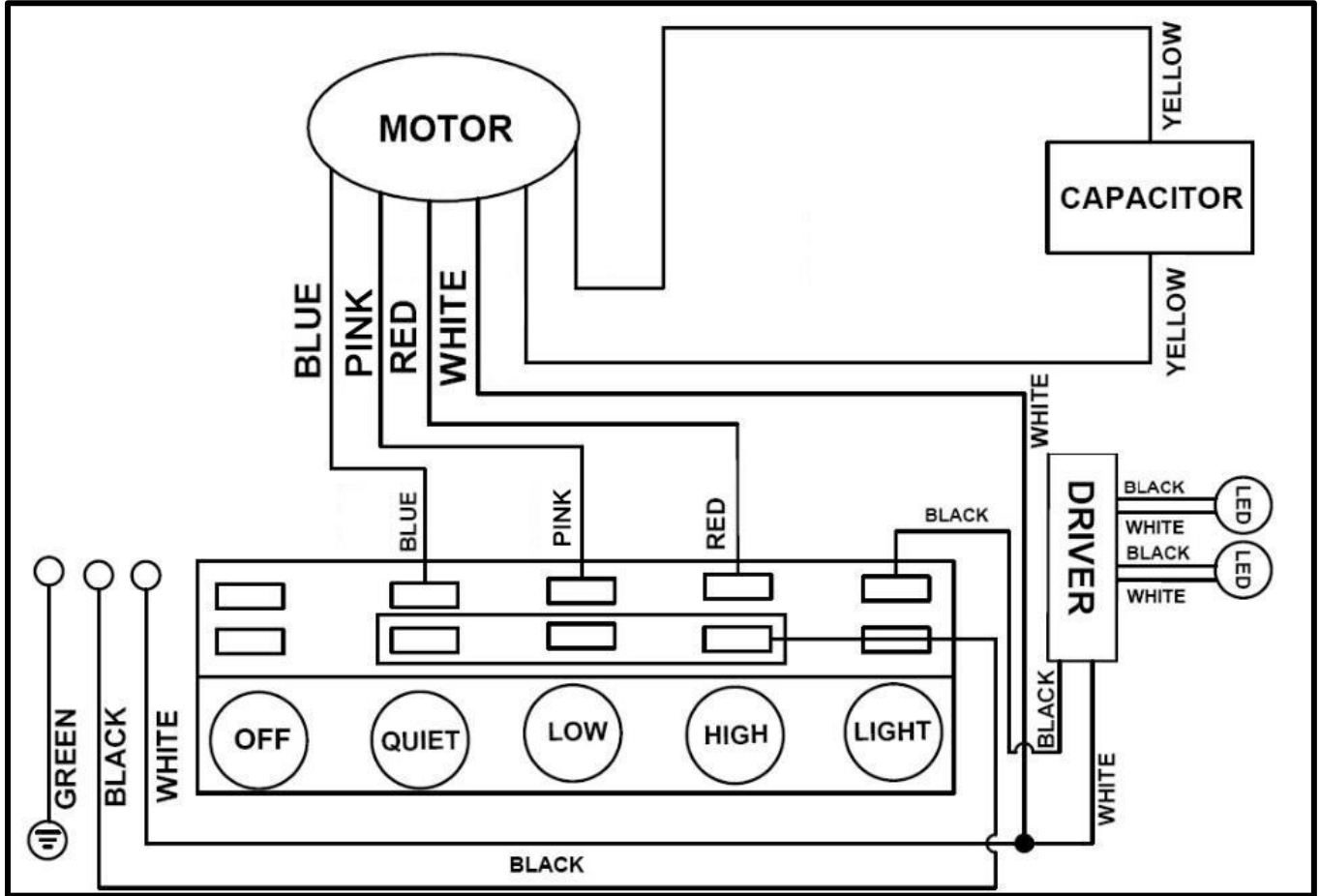
MODEL NO.: ISX2130SQB-2 / ISX2130SQB-DC37-2 (30")  
ISX2136SQB-2 / ISX2136SQB-DC37-2 (36")  
ISX2142SQB-2 / ISX2142SQB-DC37-2 (42")





# CIRCUIT DIAGRAM

MODEL NO.: ISX2130SQB-2 / ISX2130SQB-DC37-2 (30")  
ISX2136SQB-2 / ISX2136SQB-DC37-2 (36")  
ISX2142SQB-2 / ISX2142SQB-DC37-2 (42")



## TROUBLE SHOOTING

Issue	Possible Cause	Solution
After Installation, both motors and lights are not working.	The power is not on.	Make sure the circuit breaker and the unit's power is ON. Use a voltage meter to check the power supply.
	The wire connection is not secure.	Check and tighten wire connection.
	The control switch is defective.	Replace the control switch.
Lights are working, but motor(s) is not.	The motor(s) is defective.	Replace motor.
	The capacitor(s) is defective.	Replace capacitor(s).
	The control switch is defective.	Replace the control switch.
The range hood is vibrating.	The blower system is not secure.	Tighten the turbine impeller/squirrel cage and air chamber.
	The squirrel cage is not balanced.	Replace the squirrel cage.
	Hood is not secured in place.	Check the installation of hood, tighten the mounting bracket.
The motor is working, but the lights are not working.	LED Light(s) is defective.	Replace the LED light.
	The light wiring(s) is loose.	Check wire continuity from light transformer to LED light housing(s).
	Light transformer is defective.	Check power input and power output on the light transformer. If it's needed, replace the light transformer.
	The control switch is defective.	Replace the control switch.
The range hood is not venting out correctly.	The range hood is installed outside of the manufacturer recommended clearance.	Adjust the clearance between the range hoods and cooktop to 26" to 30". For Island range hood, the clearance between the range hood and cooktop is 30" to 36".
	There is no make-up air inside the house.	Open the window to enhance the performance of the range hood by creating a sufficient make-up air.
	Obstacle blocking the pipe work.	Remove all obstacles from the duct work.
	The pipe size is smaller than the suggested pipe size.	Change the ducting according to the manufacture suggestion.
	The pipe connection is not properly sealed.	Check the pipe installation.
Cold air is coming into the home.	The damper is not properly installed or is missing from the installation.	Check the damper installation.
	The damper is not installed.	By installing the damper, it will help to eliminate air backflow.

## **WARRANTY**

### **WARRANTY CERTIFICATE**

**In order to obtain warranty service, you must provide proof of original purchase from a KOBE authorized Dealer. Please keep a copy of your original invoice as proof of purchase.**

#### **TWO-YEAR LIMITED PARTS WARRANTY ON KOBE BRILLIA SERIES:**

For two years from the date of your original invoice from a KOBE authorized dealer, we will provide non-consumable replacement parts or components free of charge that failed due to manufacturing defects. Consumable parts such as lights bulbs, filters, fuses, and oil cups are not covered by this warranty.

KOBE reserves the right to replace, rather than send out replacement parts of the product free of charge at our sole discretion.

#### **WHAT IS COVERED:**

This warranty is valid in the United States and Canada. It is non-transferable and applies only to the original purchaser and does not extend to subsequent owner of this product. In Hawaii, Alaska and Canada, this warranty is limited. There may be additional shipping charges for parts and service technician travel costs in remote areas or locations 30 miles outside of KOBE authorized service area.

#### **WHAT IS NOT COVERED:**

1. Normal wear and tear, regular service and maintenance required for the product.
2. Consumable parts such as light bulbs, filters, fuses, and oil cups.
3. Chips, scratches or dents due to abuse or misuse of the product, use of corrosive and abrasive cleaning products.
4. Damages caused by accident, fire, flood and other Acts of God.
5. Services in remote areas or locations 30 miles outside of KOBE authorized service area.
6. Labor cost incurred in connection with the removal of range hood, and reinstallation of replacement range hood, nor does it cover any other contingent expenses.
7. Scratches inside the hood, back of the baffle filter, and inside the duct cover.

**THIS WARRANTY WILL BE VOIDED WHEN:**

1. Improper installation and failure to follow installation instructions.
2. Any repair, alteration, modification not authorized by KOBE.
3. Duct alteration, modification and connection.
4. Incorrect electric current, voltage or wiring.
5. Improper usage of the product such as commercially, outdoor or other usage other than its intended purpose which is residential indoor usage only.
6. Product is purchased from an unauthorized KOBE dealer.
7. Product is damaged due to negligence, misuse, abuse, accident.

If we determine that the warranty exclusions listed above applies or if you fail to provide all necessary documentation for warranty service, you will be responsible for all expenses associated with the requested service, including parts, labor, shipping, travelling, and any other expense related to the service request.

**TO REQUEST WARRANTY SERVICE, PLEASE CONTACT KOBE RANGE HOODS SERVICE CENTER:**

**From the 48 contiguous states:**

**Email (best): [customer.service@koberangehoods.com](mailto:customer.service@koberangehoods.com)**

**From Alaska, Hawaii, and Canada:**

**Email (best): [customer.service@koberangehoods.com](mailto:customer.service@koberangehoods.com)**

## WARRANTY INFORMATION FORM

Fill in the blanks and keep this paper with the **original invoice** in a safe place for future service purpose.

1. Date of purchase : \_\_\_\_\_

2. Model No. : \_\_\_\_\_

3. Serial No. : \_\_\_\_\_

**For warranty service or spare parts purchase in US, contact:**

KOBE Service Center

Email (best): [customer.service@koberangehoods.com](mailto:customer.service@koberangehoods.com)

**For warranty service or spare parts purchase in Canada, contact:**

Email (best): [customer.service@koberangehoods.com](mailto:customer.service@koberangehoods.com)

Your notes:

**KOBE**®

KOBE Range Hoods  
11775 Clark Street  
Arcadia, CA 91006 USA

[www.koberangehoods.com](http://www.koberangehoods.com)

This KOBE hood is made for use in the USA and CANADA only. We do not recommend using this hood overseas as the power supply may not be compatible and may violate the electrical code of that country. **Using a KOBE hood overseas is at your own risk and will void your warranty.**

Cette hotte KOBE est fabriquée pour usage aux États-Unis et au Canada seulement. Il n'est pas recommandé d'utiliser cette hotte à l'étranger puisque l'alimentation électrique pourrait ne pas être compatible et enfreindre le code de l'électricité de ce pays. **L'usage de la hotte KOBE à l'étranger est à votre propre risque et la garantie sera annulée.**

Esta campana de extracción KOBE ha sido fabricada para ser utilizada únicamente en EE.UU. y CANADÁ. No recomendamos la utilización de esta campana en el extranjero debido a que la fuente de energía podría no ser compatible y podría violar el código eléctrico de dicho país. **Utilizar una campana KOBE en el extranjero será a su propio riesgo y anulará la garantía.**

VER. 250318

Information subject to change without notice.