

2024 Product Catalog



*Insert
Wall Mount
Under Cabinet
Island*

KOBE has the hood that you're looking for!

KOBE®

Table of Contents

Highlighted Features	-----	2
• ECO Mode™	-----	2
• VENTelligent™	-----	3
Insert / Built-In Hoods	-----	4
• IN26 SQB-1200-1	-----	4
• IN26 SQB-700-XX	-----	5
• IN28 SQB-XX	-----	6
• IN28 SQP-XX	-----	7
• INX29 SQBF-500-2	-----	8
• INX26 SQB-700-3	-----	9
• INX27 SQB-700-3	-----	10
• INX28 SQ-700-2	-----	11
Wall Mount Hoods	-----	12
• CH77 SQ6-WM-XX	-----	12
• RA92 SQB6-XX	-----	13
• CH22 SQB6-WM-XX	-----	14
• RA38 SQB-WM-1	-----	15
• RAX21 SQB-WM-2	-----	16
• CHX81 SQB-2	-----	17
• CHX22 SQB-WM-1	-----	18
• CHX38 SQBD-WM-3	-----	19
Under Cabinet Hoods	-----	20
• RAX21 SQB-2	-----	20
• CHX22 SQB-1	-----	21
• CHX38 SQBD-3	-----	22
• CHX91 SQB-2	-----	23
• RA38 SQB-1	-----	24
• CH77 SQ6-XX	-----	25
• CH22 SQB6-XX	-----	26
Island Hoods	-----	27
• ISX21 SQB-2	-----	27
• ISX24 SQB-2	-----	28
Specifications	-----	29

HIGHLIGHTED FEATURES

Smart Solutions for Cleaner Air:

ECO Mode™ Technology

A range hood can help remove and capture grease and steam from your cooking surface, but did you know that grease, moisture, and odors still linger after you turn off your range hood? These residual microscopic particles and odors in your kitchen can negatively impact your health by entering your lungs and bloodstream.

KOBE Range Hoods understand your needs, and your health is important to us; therefore, we are proud to introduce **ECO Mode™ technology** to you. ECO Mode™ is our unique and exclusive feature that is designed to clear the air of oil, smoke, and odors periodically to promote a cleaner and healthier kitchen environment without the need for continuous hood operation.



How does it work?

Once you activate ECO Mode™, it will turn on automatically and run the QuietMode™ setting for 10 minutes every hour to remove excess moisture, microscopic particles, and odor.

With our ECO Mode™ feature, you can enhance your healthier lifestyle by getting a better and cleaner air quality in your kitchen.

Series with ECO Mode™ features:

Insert: IN26 SQB-1200-1 / IN26 SQB-700-XX

Under Cabinet: CH22 SQB6-XX / CH77 SQ6-XX

Wall Mount: CH22 SQB6-WM-XX / CH77 SQ6-WM-XX /
RA92 SQB6-XX



Next-Level Convenience

VENTelligent™ Technology



Flame Sensor

Have you ever considered the convenience of a range hood that can automatically turn on and off without having to press a button? While some range hoods may offer wireless features, they often require manual hand motions or gestures.

However, KOBE's range hoods are equipped with a unique flame sensor that provides a seamless and innovative user experience.

After cooking is completed and the cooktop is turned off, the hood will enter a delay shutoff mode, automatically turning off after 3 to 5 minutes. This advanced function offers a new level of convenience and efficiency in range hood operation.

Temperature Sensor

Are you tired of constantly adjusting the range hood fan speed while cooking? Or have you struggled to find the ideal fan speed for your cooking needs? KOBE's range hood, equipped with a temperature sensor, offers a solution to these challenges.

When the hood detects a flame, it will activate QuietMode™ automatically. Additionally, the hood will adjust its speed based on the temperature difference of approximately 7°F between the hood and its surroundings.



KOBE's hoods with built-in flame and temperature sensors can automatically control the fan speed and power, eliminating the need for manual touch or gestures. With this feature, there is no need to worry about leaving the range hood on, as the sensors will ensure it turns off automatically.

Series with VENTelligent™ features:

Under Cabinet: CH22 SQB6-XX / CH77 SQ6-XX

Wall Mount: CH22 SQB6-WM-XX / CH77 SQ6-WM-XX / RA92 SQB6-XX

INSERT / BUILT-IN

IN26 SQB-1200-1



Model No.:

IN2636SQB-1200-1 (36")

IN2648SQB-1200-1 (48")

Specification:

Product Line: Premium

Size: 36" , 48"

Speed: 6-Speed

Control: Electronic Button with LED Display

Blower: 1200 CFM Internal Blower

QuietMode™: 1.6 Sones

Recirculating / Ductless: No

Ducting: Vertical

Exhaust: Top 8" Round

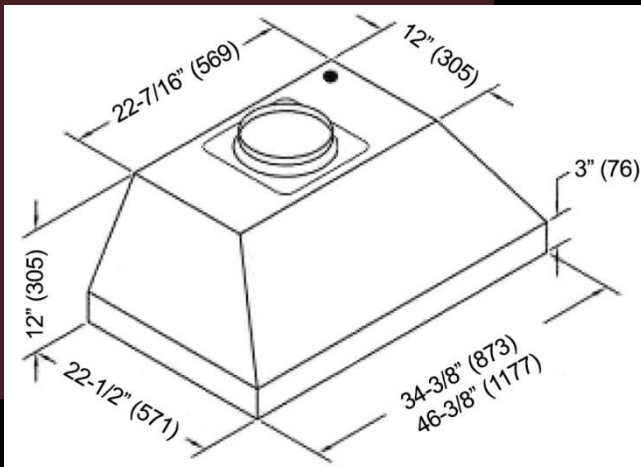
Filter: Baffle

Light: 3-watt LED with 3-level lighting

ECO Mode™: Yes

Delay Shutoff: Yes

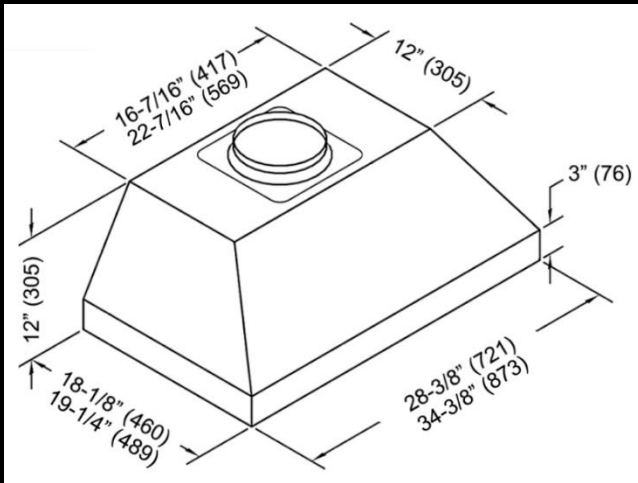
Optional Accessories: Remote Control KRC6



A powerful range hood with a maximum 1200 CFM internal dual blowers, this insert hood is professionally handcrafted with 18-gauge commercial grade stainless steel and is designed to fit any customized project perfectly without the need for a liner.

IN26 SQB-1200-1 Series is equipped with 6-speed electronic button control, dishwasher safe baffle filters, 3-level LED lights and ECO Mode™ function. ECO Mode™ is a unique KOBE feature that allows the hood to run on QuietMode™ automatically for 10 minutes every hour to refresh the kitchen air quality.

IN26 SQB-700-XX



IN26 SQB-700-XX Series is designed to seamlessly fit either 30" or 36" wide custom cabinetry without the need for a liner.

A high-performance hood with a maximum 750 CFM internal blower can also operate quietly at 1 Sone on QuietMode™, this hood offers stainless steel baffle filters, versatile multi-exhaust options for top or rear venting, LED lights, electronic button control and ECO Mode™. ECO Mode™ is a unique KOBE feature that allows the hood to turn on automatically for 10 minutes every hour to refresh the kitchen air.

Model No.:

IN2630SQB-700-2 (30")

IN2636SQB-700-1 (36")

Specification:

Product Line: Premium

Size: 30" , 36"

Speed: 6-Speed

Control: Electronic Button with LED Display

Blower: 750 CFM Internal Blower

QuietMode™: 1 Sone

Recirculating / Ductless: No

Ducting: Vertical , Horizontal

Exhaust: Top 6" Round, Top 3-1/4" x 10" Rectangular,
Rear 6" Round, Rear 3-1/4" x 10" Rectangular

Filter: Baffle

Light: 3-watt LED with 3-level lighting

ECO Mode™: Yes

Delay Shutoff: Yes

Optional Accessories: Remote Control KRC6



IN28 SQB-XX

This IN28 SQB-XX Series is designed to fit cabinetry approximately 30" wide without the need for a liner.

This high performance insert range hood with a maximum 750 CFM internal blower can also operate quietly at 1 sone on QuietMode™. It is equipped with 3-speed mechanical push buttons for easy operation, a dishwasher safe baffle filter to trap grease effectively, and 3-watt LED lights that can illuminate the cooking area.

An optional liner INL36211A (35-1/8") is available if installing the 30" insert hood into a 36" wide cabinet (additional purchase required)

Model No.:

IN2830SQB-XX (30")

Specification:

Product Line: Premium

Size: 30"

Speed: 3-Speed

Control: Mechanical Push Button

Blower: 750 CFM Internal Blower

QuietMode™: 1 Sone

Recirculating / Ductless: No

Ducting: Vertical

Exhaust: Top 6" Round

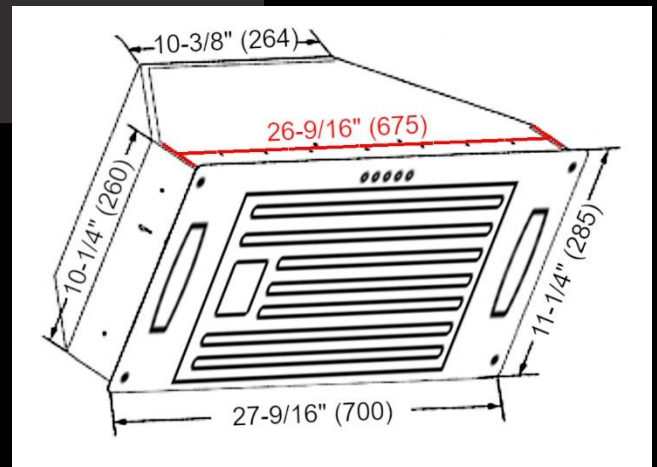
Filter: Baffle

Light: 3-watt LED

ECO Mode™: No

Delay Shutoff: No

Optional Accessories: Liner INL36211A (35-1/8")



IN28 SQP-XX

Model No.:

IN2830SQP-XX (30")

IN2836SQP-XX (36")

Specification:

Product Line: Premium

Size: 30" , 36"

Speed: 3-Speed

Control: Mechanical Push Button

Blower: 750 CFM Internal Blower

QuietMode™: 1 Sone

Recirculating / Ductless: No

Ducting: Vertical

Exhaust: Top 6" Round

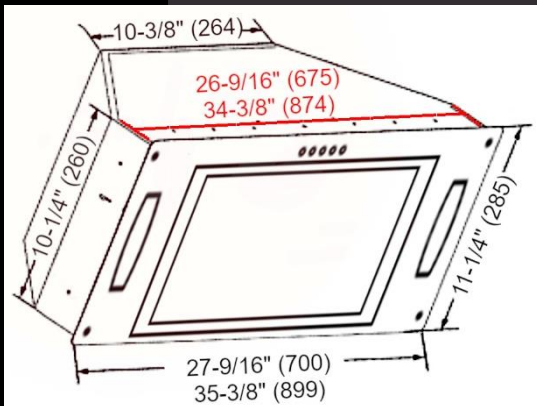
Filter: Airflow Efficiency Panel

Light: 3-watt LED

ECO Mode™: No

Delay Shutoff: No

Optional Accessories: Liner INL36211A (for 30" only)



IN28 SQP-XX Series is designed to fit either 30" or 36" wide custom cabinetry without the need for a liner.

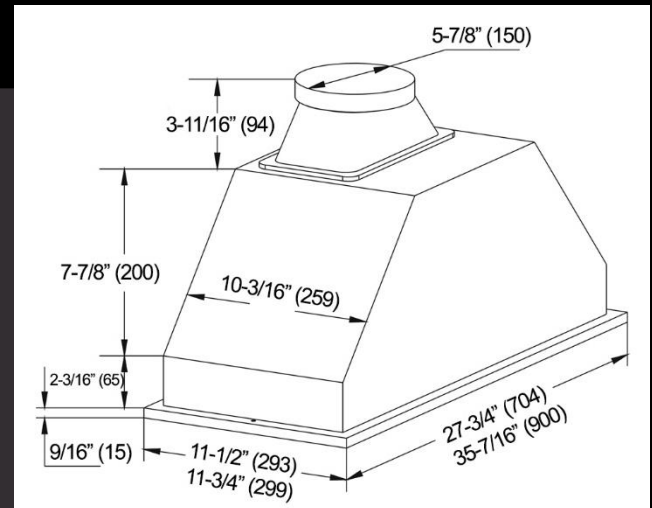
Using a high performance 750 CFM internal blower, this insert hood is equipped with Airflow Efficiency Panel(s), designed to improve perimeter suction and sound reduction. It comes with 3-speed mechanical push buttons for easy operation and stylish rectangular LED lights to illuminate the cooking area.

An optional liner INL36211A (35-1/8") is available if installing the 30" insert hood into a 36" wide cabinet (additional purchase required)

INX29 SQBF-500-2

INX29 SQBF-500-2 Series has been upgraded with better sustainability, reduced packaging, and energy efficient lighting.

Professionally handcrafted with 18-gauge commercial grade stainless steel, this insert hood is designed to fit either 30" or 36" custom cabinetry without the need for a liner. Its energy efficient 550 CFM internal blower removes most moisture, odors, and smoke effectively. It also comes with both dishwasher safe baffle filters and aluminum mesh filters for your preference. The hood is equipped with 3-speed push buttons and bright energy efficient LED lights.



Model No.:

INX2930SQBF-500-2 (30")

INX2936SQBF-500-2 (36")

Specification:

Product Line: Brillia

Size: 30" , 36"

Speed: 3-Speed

Control: Mechanical Push Button

Blower: 550 CFM Internal Blower

QuietMode™: 1.5 Sones

Recirculating / Ductless: No

Ducting: Vertical

Exhaust: Top 6" Round

Filter: Baffle / Mesh

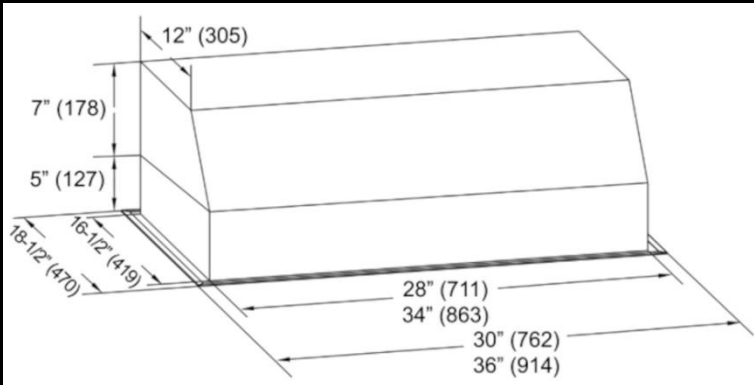
Light: 3-watt LED

ECO Mode™: No

Delay Shutoff: No



INX26 SQB-700-3



Model No.:

INX2630SQB-700-3 (30")

INX2636SQB-700-3 (36")

Specification:

Product Line: Brillia

Size: 30", 36"

Speed: 3-Speed

Control: Mechanical Push Button

Blower: 630 CFM Internal Blower

QuietMode™: 2 Sones

Recirculating / Ductless: No

Ducting: Vertical, Horizontal

Exhaust: Top 6" Round, Top 3-1/4" x 10" Rectangular,
Rear 6" Round, Top 3-1/4" x 10" Rectangular

Filter: Baffle

Light: 3-watt LED

ECO Mode™: No

Delay Shutoff: No

Optional Accessories: Liner INL36252B (for 30" only)

A beautiful, handcrafted insert hood with 20-gauge commercial grade stainless steel designed to fit either 30" or 36" wide custom cabinetry without the need for a liner.

It has a high performance 630 CFM internal blower, yet it can operate at a quiet 2 Sones on QuietMode™. This hood is equipped with 3-speed mechanical push button, dishwasher safe baffle filters and 3-watt LED lights.

An optional liner INL36252B (34-7/16") is available if installing the 30" insert hood into a 36" wide cabinet (additional purchase required)



INX27 SQB-700-3

Model No.:

INX2730SQB-700-3 (30")

INX2736SQB-700-3 (36")

Specification:

Product Line: Brillia

Size: 30" , 36"

Speed: 3-Speed

Control: Mechanical Push Button

Blower: 550 CFM Internal Blower

QuietMode™: 1.5 Sones

Recirculating / Ductless: No

Ducting: Vertical

Exhaust: Top 6" Round

Filter: Baffle / Mesh

Light: 3-watt LED

ECO Mode™: No

Delay Shutoff: No

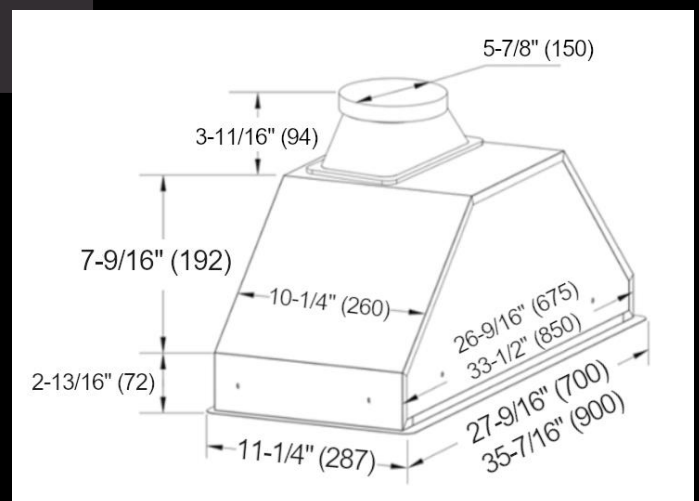
Optional Accessories: Liner INL36211A (for 30" only)



INX27 SQB-700-3 Series has been upgraded with better sustainability, reduced packaging, and energy efficient lighting.

Professionally handcrafted with 18-gauge commercial grade stainless steel, this insert hood is designed to fit either 30" or 36" custom cabinetry without the need for a liner. Its energy efficient 550 CFM internal blower removes most moisture, odors, and smoke effectively. It also comes with both dishwasher safe baffle filters and aluminum mesh filters for your preference. The hood is equipped with 3-speed push buttons and bright energy efficient LED lights.

An optional liner INL36211A (35-1/8") is available if installing the 30" insert hood into a 36" wide cabinet (additional purchase required)



INX28 SQ-700-2

Model No.:

INX2830SQB-700-2 (30")

INX2830SQH-700-2 (30")

Specification:

Product Line: Brillia

Size: 30", 36"

Speed: 3-Speed

Control: Mechanical Push Button

Blower: 550 CFM Internal Blower

QuietMode™: 1.5 Sones

Recirculating / Ductless: No

Ducting: Vertical

Exhaust: Top 6" Round

Filter: Baffle / Mesh – for INX2830SQB-700-2

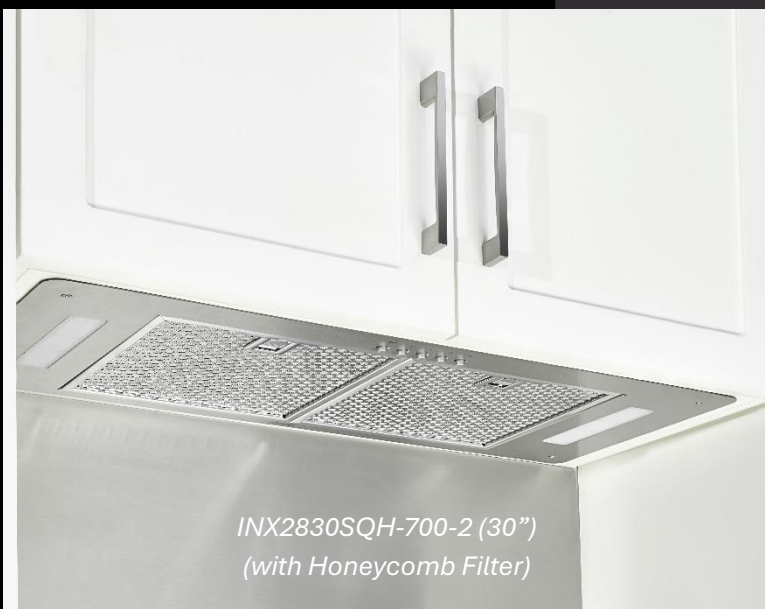
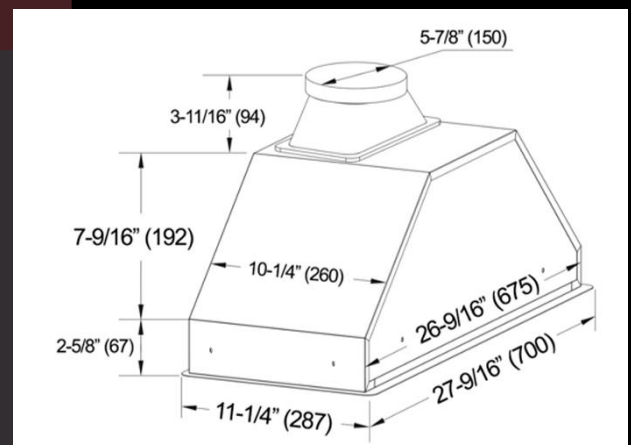
Honeycomb / Mesh – for INX2830SQH-700-2

Light: 3-watt LED

ECO Mode™: No

Delay Shutoff: No

Optional Accessories: Liner INL36211A (for 30" only)



Beautifully handcrafted with 18-gauge commercial grade stainless steel, this insert hood is designed to fit custom cabinetry approximately 30" wide without the need for a liner. Its energy efficient 550 CFM internal blower removes most moisture, odors, and smoke effectively. The hood is equipped with 3-speed push buttons and bright energy efficient LED lights.

Depending on the model, it comes with either baffle or honeycomb filters. A set of mesh filters are included as a bonus item!

An optional liner INL36211A (35-1/8") is available if installing the 30" insert hood into a 36" wide cabinet (additional purchase required)

WALL MOUNT

CH77 SQ6-WM-XX

Model No.:

CH7730SQ6-WM-XX (30")

CH7736SQ6-WM-XX (36")

CH7748SQ6-WM-XX (48")

Specification:

Product Line: Premium

Size: 30", 36", 48"

Speed: 6-Speed

Control: Electronic Button with LED Display

Blower: 700 CFM Internal Blower

QuietMode™: 2 Sones

Recirculating / Ductless: No

Ducting: Vertical

Exhaust: Top 6" Round

Filter: Airflow Efficiency Panel

Light: 3-watt LED with 3-level lighting

ECO Mode™: Yes

Delay Shutoff: Yes

Fits Ceiling Height: 7ft to 9ft

Optional Accessories: Remote Control KRC6

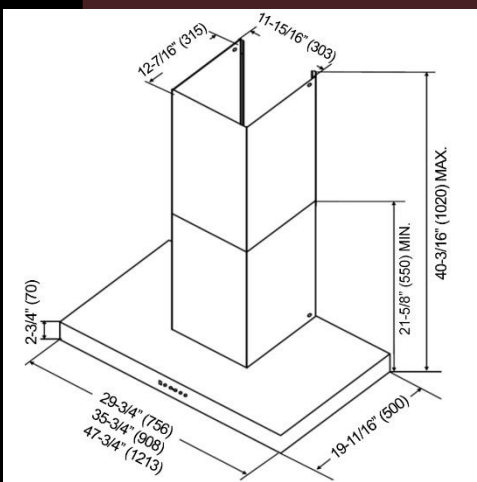


The CH77 SQ6-WM-XX Series is equipped with KOBE's latest flame & temperature sensor technology to bring you a hands-free range hood experience!

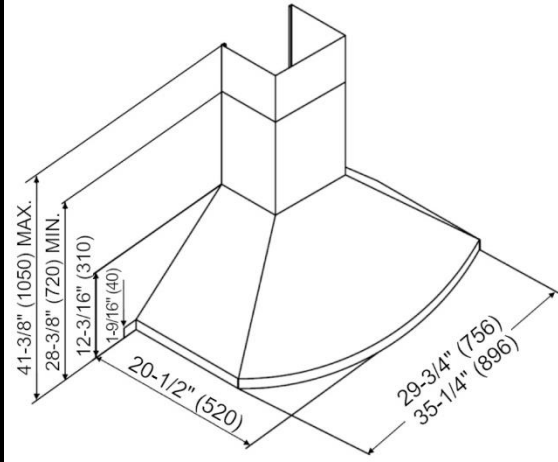
The flame and temperature sensor automatically turns on and adjust fan speeds while cooking and automatically turn off after cooking. It is equipped with Airflow Efficiency Panel(s) that traps grease effectively and allows improved perimeter suction and sound reduction. Other features include ECO Mode™ technology, delay shutoff and 3-level lighting.

This wall mount hood is designed to fit ceiling height between 7 to 9 feet.

Compatible with all brands of gas cooktops or ranges. No hand gesture is needed; this hood is fully hands-free.



RA92 SQB6-XX



The smooth, uncluttered style of this RA92 SQB6-XX Series has a timeless elegance.

The flame and temperature sensors allow the hood automatically to turn on when detecting a flame or fire, temperature sensor will allow the hood to adjust to higher or lower speeds automatically depending on the temperature differential of ~7°F degrees between the hood and the surrounding environment. It provides a hands-free range hood experience without the need for physical touch or hand gestures!

**This feature only works with gas cooktops or ranges.*

Other features included ECO Mode™ technology, delay shutoff and 3-level lighting.

This wall mount hood is designed to fit 7-1/2 to 8-1/2 feet ceilings. For taller ceilings, a duct extension is available as an additional purchase.

Model No.:

RA9230SQB6-XX (30")

RA9236SQB6-XX (36")

Specification:

Product Line: Premium

Size: 30" , 36"

Speed: 6-Speed

Control: Electronic Button with LED Display

Blower: 700 CFM Internal Blower

QuietMode™: 2 Sones

Recirculating / Ductless: No

Ducting: Vertical

Exhaust: Top 6" Round

Filter: Baffle

Light: 3-watt LED with 3-level lighting

ECO Mode™: Yes

Delay Shutoff: Yes

Fits Ceiling Height: 7-1/2ft to 8-1/2ft

Optional Accessories: Remote Control KRC6

Duct Extension: RA0930DC-1 (for 9ft to 10ft ceiling)

Duct Extension: RA0946DC-1 (for 10-1/2ft to 11-1/2ft ceiling)

CH22 SQB6-WM-XX



Model No.:

CH2230SQB6-WM-XX (30")

CH2236SQB6-WM-XX (36")

Specification:

Product Line: Premium

Size: 30" , 36"

Speed: 6-Speed

Control: Electronic Button with LED Display

Blower: 680 CFM Internal Blower

QuietMode™: 2 Sones

Recirculating / Ductless: No

Ducting: Vertical

Exhaust: Top 6" Round

Filter: Baffle

Light: 3-watt LED with 3-level lighting

ECO Mode™: Yes

Delay Shutoff: Yes

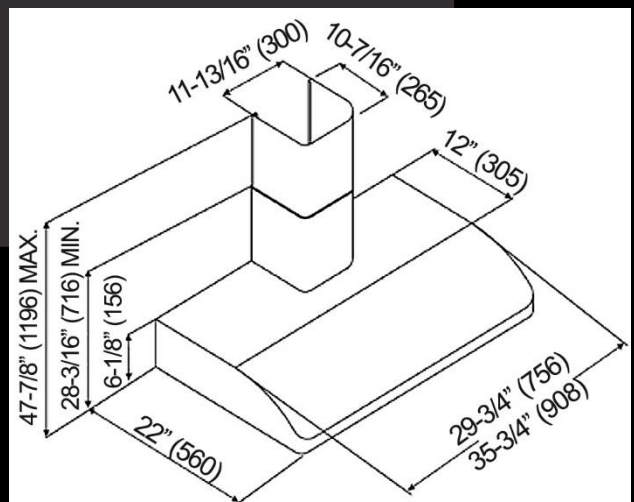
Fits Ceiling Height: 7-1/2ft to 9-1/2ft

Optional Accessories: Remote Control KRC6

Designed to be functional without being the focal point, the smooth curves of the CH22 SQB6-WM-XX have a unique style that allow the hood to blend into your kitchen.

Equipped with KOBE's latest flame and temperature sensor technology, this wall mount hood is compatible with all brands of gas cooktops and ranges, automatically turns on/off and adjust fan speeds without the need for physical touch or hand gestures. Other features include ECO Mode™, delay shutoff and 3-level lighting.

This wall mount hood is designed to fit ceiling height between 7-1/2 to 9-1/2 feet.



RA38 SQB-WM-1

Model No.:

RA3830SQB-WM-1 (30")

RA3836SQB-WM-1 (36")

Specification:

Product Line: Premium

Size: 30" , 36"

Speed: 3-Speed

Control: Mechanical Push Button

Blower: 680 CFM Internal Blower – for 30"

750 CFM Internal Blower – for 36"

QuietMode™: 1 Sone

Recirculating / Ductless: No

Ducting: Vertical

Exhaust: Top 6" Round

Filter: Baffle

Light: 3-watt LED

ECO Mode™: No

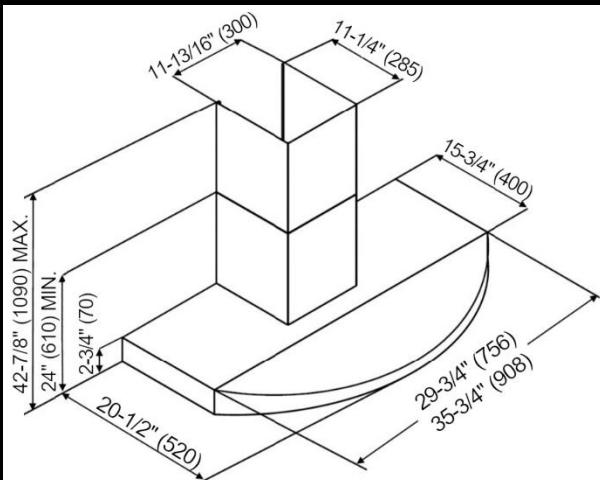
Delay Shutoff: No

Fits Ceiling Height: 7ft to 9ft

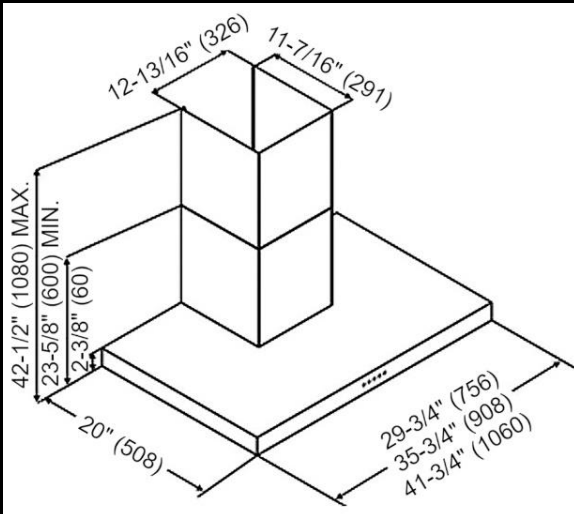
A truly elegant wall mount hood with a slim profile, the RA38 SQB-WM-1 Series has a unique front slope curve design that will add style and complement your kitchen!

This beautiful wall mount hood is handcrafted with 18-gauge commercial grade stainless steel with a satin finish. It is equipped with 3-speed mechanical push buttons for easy operation, dishwasher-safe baffle filters to trap grease effectively, and energy efficient LED lights to illuminate the cooking area.

This hood is designed to fit ceiling height between 7 to 9 feet.



RAX21 SQB-WM-2



Modern and contemporary, RAX21 SQB-WM-2 Series will add style and complement any kitchen design.

Beautifully and professionally handcrafted with 18-gauge commercial grade stainless steel with a satin finish, this hood has been upgraded with better sustainability and reduced packaging. Its energy efficient 700 CFM internal blower can remove moisture, odors, and smoke effectively. It is also equipped with 3-speed mechanical push buttons, LED lights and baffle filters for easy operation.

This wall mount hood is designed to fit 7 to 9 feet ceilings.

Model No.:

RAX2130SQB-WM-2 (30")

RAX2136SQB-WM-2 (36")

RAX2142SQB-WM-2 (42")

Specification:

Product Line: Brillia

Size: 30" , 36" , 42"

Speed: 3-Speed

Control: Mechanical Push Button

Blower: 700 CFM Internal Blower

QuietMode™: 3 Sones

Recirculating / Ductless: No

Ducting: Vertical

Exhaust: Top 6" Round

Filter: Baffle

Light: 3-watt LED

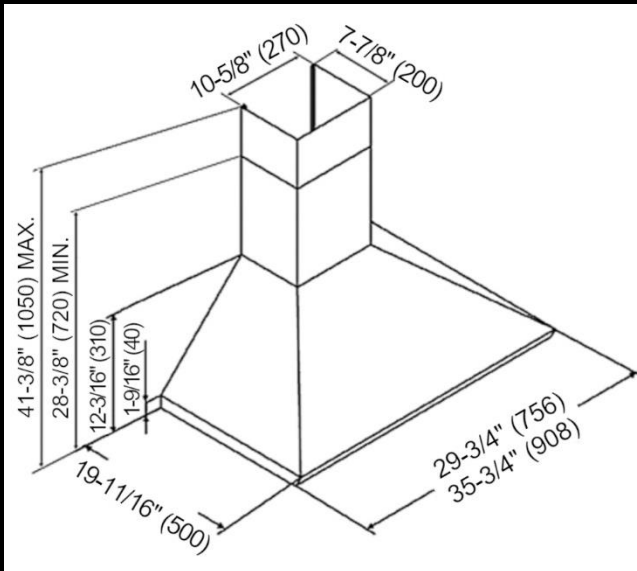
ECO Mode™: No

Delay Shutoff: No

Fits Ceiling Height: 7ft to 9ft



CHX81 SQB-2



With graceful corners and subtle decorative accents, CHX81 SQB-2 Series is a European style wall mount hood with chic elegance and sophistication that would complement any kitchen.

It comes with a high performance 700 CFM internal blower that can remove moisture, odors, and smoke from your kitchen. This hood is equipped with 3-speed rocker switches for easy operation, LED lights to illuminate the cooking area, and baffle filters to trap grease effectively.

This hood is designed to fit ceiling height between 7-1/2 to 8-1/2 feet. For taller ceilings, a duct extension is available as an additional purchase.

Model No.:

CHX8130SQB-2 (30")

CHX8136SQB-2 (36")

Specification:

Product Line: Brillia

Size: 30" , 36"

Speed: 3-Speed

Control: Rocker Switch

Blower: 700 CFM Internal Blower

QuietMode™: 3 Sones

Recirculating / Ductless: No

Ducting: Vertical

Exhaust: Top 6" Round

Filter: Baffle

Light: 3-watt LED

ECO Mode™: No

Delay Shutoff: No

Fits Ceiling Height: 7-1/2ft to 8-1/2ft

Duct Extension: CHX81DC30-I (for 9ft to 10ft ceiling)

Duct Extension: CHX81DC47-I (for 10-1/2ft to 11-1/2ft ceiling)



CHX22 SQB-WM-1

Model No.:

CHX2230SQB-WM-1 (30")

CHX2236SQB-WM-1 (36")

Specification:

Product Line: Brillia

Size: 30", 36"

Speed: 3-Speed

Control: Mechanical Push Button

Blower: 680 CFM Internal Blower

QuietMode™: 1 Sone

Recirculating / Ductless: No

Ducting: Vertical, Horizontal

Exhaust: Top 6" Round, Top 3-1/4" x 10" Rectangular

Rear 3-1/4" x 10" Rectangular

Filter: Baffle

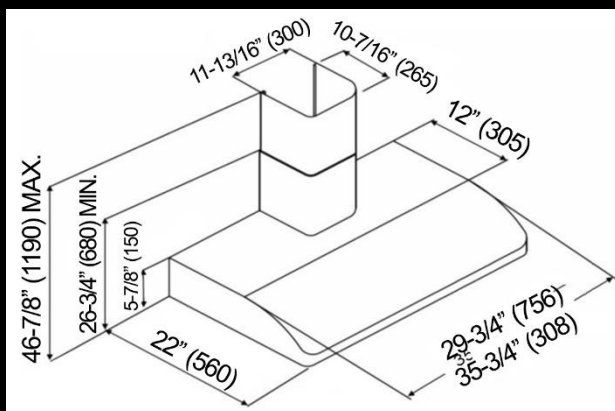
Light: 3-watt LED

ECO Mode™: No

Delay Shutoff: No

Fits Ceiling Height: 7-1/2ft to 9-1/2ft

Optional Accessories: Top Vent Cover TVC20

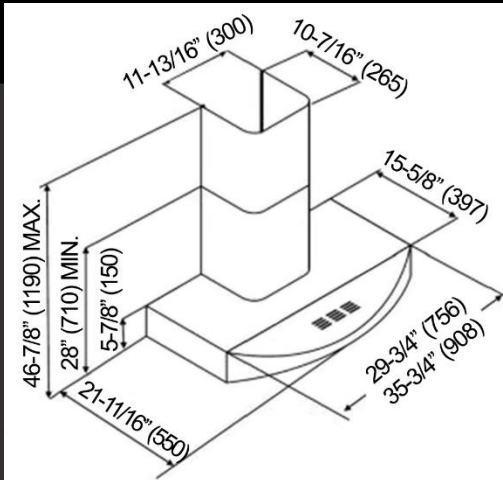


The CHX22 SQB-WM-1 Series is a beautiful wall mount hood with fluid curves that will add style to your kitchen!

It has an elegant appearance, yet simple features and powerful internal blowers. This hood comes with 680 CFM internal blowers and is equipped with 3-speed mechanical push buttons, LED lights and baffle filters. The top 6" round exhaust is the default venting method. If you require rectangular or rear venting, the accessory TVC20 is available as an additional purchase.

This hood is designed to fit 7-1/2 to 9-1/2 feet ceilings.

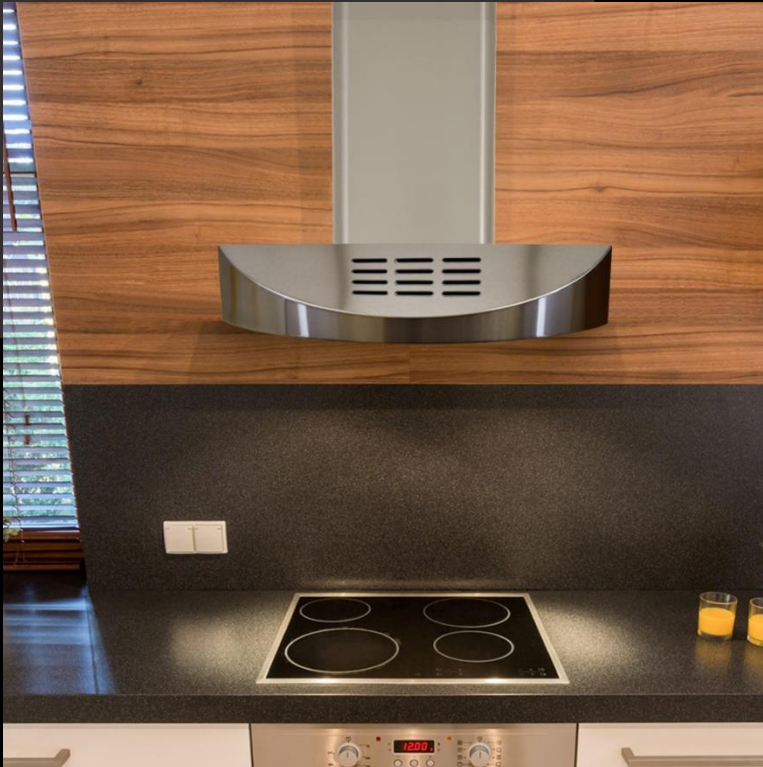
CHX38 SQBD-WM-3



CHX38 SQBD-WM-3 Series is a ductless / recirculating wall mount hood that is designed for kitchens that are not able to vent to the outside. No venting needed; the hood utilizes charcoal filters to trap grease, odors and recirculates the air.

The beautiful front slope curve adds a unique style to your kitchen. It comes with a strong 400 CFM internal blower that you rarely find in a ductless hood. It is also equipped with 3-speed mechanical push buttons for easy operation, LED lights to illuminate the cooking area, and baffle filters to trap grease effectively. Charcoal filters are preinstalled on the range hood.

This hood is designed to fit 7-1/2 to 9-1/2 feet ceilings.



Model No.:

CHX3830SQBD-WM-3 (30")

CHX3836SQBD-WM-3 (36")

Specification:

Product Line: Brillia

Size: 30" , 36"

Speed: 3-Speed

Control: Mechanical Push Button

Blower: 400 CFM Internal Blower

QuietMode™: 1.2 Sones

Recirculating / Ductless: Yes

Ducting: Ductless

Exhaust: N/A

Filter: Baffle

Light: 3-watt LED

ECO Mode™: No

Delay Shutoff: No

Fits Ceiling Height: 7-1/2ft to 9-1/2ft

UNDER CABINET

RAX21 SQB-2

With its 2-3/8" body height, this RAX21 SQB-2 is a low profile under cabinet range hood that is designed for taller cabinets that can house the range hood motor inside. This under cabinet hood will bring a contemporary and modern look to your kitchen.

This hood is beautifully and professionally handcrafted with 18-gauge commercial grade stainless steel with a satin finish. It has been upgraded with better sustainability features and reduced packaging. It is equipped with 3-speed mechanical push buttons, LED lights and baffle filters. Its energy efficient 700 CFM internal blower can remove moisture, odors, and smoke effectively.



Model No.:

RAX2130SQB-2 (30")

RAX2136SQB-2 (36")

RAX2142SQB-2 (42")

Specification:

Product Line: Brillia

Size: 30" , 36" , 42"

Speed: 3-Speed

Control: Mechanical Push Button

Blower: 700 CFM Internal Blower

QuietMode™: 3 Sones

Recirculating / Ductless: No

Ducting: Vertical

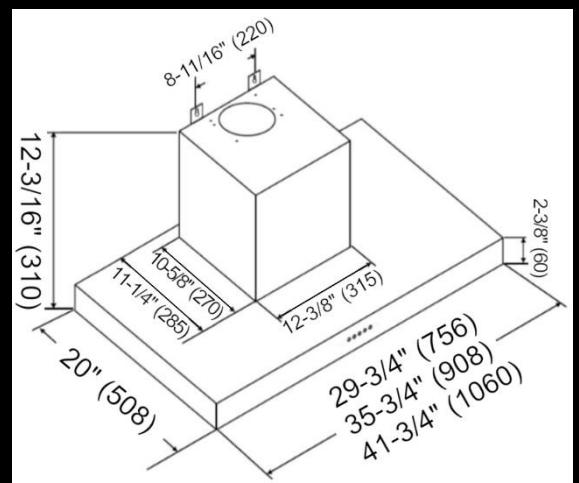
Exhaust: Top 6" Round

Filter: Baffle

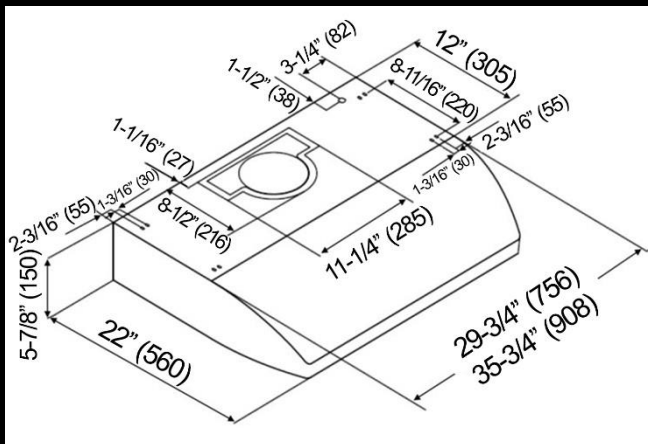
Light: 3-watt LED

ECO Mode™: No

Delay Shutoff: No



CHX22 SQB-1



Beautifully and professionally handcrafted with 18-gauge commercial grade stainless steel with a satin finish, the fluid curves on the CHX22 SQB-1 Series can add style to complement your kitchen design.

It boasts powerful 680 CFM internal blowers yet quietly operate on QuietMode™ at 1 sone. This hood comes with standard features including 3-speed mechanical push buttons, LED lights and baffle filters.

The top 6" round exhaust is the default venting method. If you require rectangular or rear venting, the accessory TVC20 is available as an additional purchase.

Model No.:

CHX2230SQB-1 (30")

CHX2236SQB-1 (36")

Specification:

Product Line: Brillia

Size: 30", 36"

Speed: 3-Speed

Control: Mechanical Push Button

Blower: 680 CFM Internal Blower

QuietMode™: 1 Sone

Recirculating / Ductless: No

Ducting: Vertical, Horizontal

Exhaust: Top 6" Round, Top 3-1/4" x 10" Rectangular

Rear 3-1/4" x 10" Rectangular

Filter: Baffle

Light: 3-watt LED

ECO Mode™: No

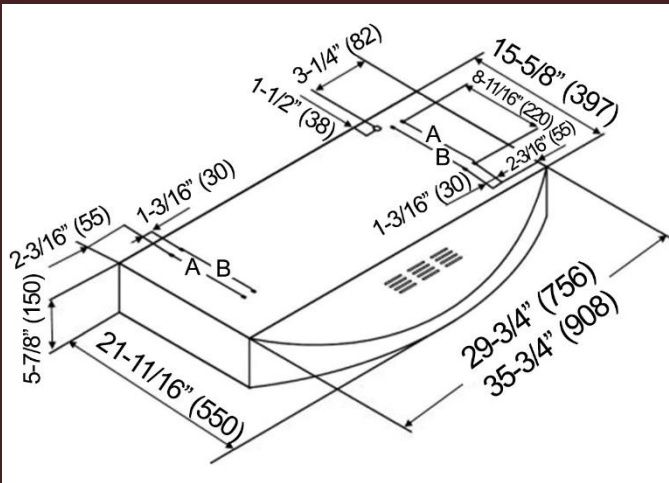
Delay Shutoff: No

Optional Accessories: Top Vent Cover TVC20

CHX38 SQBD-3

The CHX38 SQBD-3 Series range hood has the most innovative design; from being ductless to its unique front slope curved appearance. It is designed for homes that are not able to vent to the outside. No venting needed; The pre-installed charcoal filters help capture grease, moisture, and odors leaving your kitchen with cleaner air.

This hood is handcrafted with 18-gauge commercial grade stainless steel with a satin finish and a beautiful front slope curve. Boasting powerful 400 CFM internal blowers, it is equipped with standard features including 3-speed mechanical push buttons, LED lights and baffle filters.



Model No.:

CHX3830SQBD-3 (30")

CHX3836SQBD-3 (36")

Specification:

Product Line: Brillia

Size: 30", 36"

Speed: 3-Speed

Control: Mechanical Push Button

Blower: 400 CFM Internal Blower

QuietMode™: 1.2 Sones

Recirculating / Ductless: Yes

Ducting: Ductless

Exhaust: N/A

Filter: Baffle

Light: 3-watt LED

ECO Mode™: No

Delay Shutoff: No



CHX91 SQB-2

Clean, simple lines and a subtle curved front gives the CHX91 SQB-2 Series a distinctive appearance.

It comes with energy efficient 650 CFM internal blowers to remove moisture, odors, and smoke. This beautiful hood is equipped with baffle filters, LED lights and 3-speed mechanical push buttons for easy operation. It includes multi-exhaust options to allowing venting from the top or rear depending on your preference and your kitchen setup. Top venting is round or rectangular, while rear is rectangular only.

Model No.:

CHX9130SQB-2 (30")

CHX9136SQB-2 (36")

Specification:

Product Line: Brillia

Size: 30" , 36"

Speed: 3-Speed

Control: Mechanical Push Button

Blower: 650 CFM Internal Blower

QuietMode™: 1 Sone

Recirculating / Ductless: No

Ducting: Vertical , Horizontal

Exhaust: Top 6" Round, Top 3-1/4" x 10" Rectangular

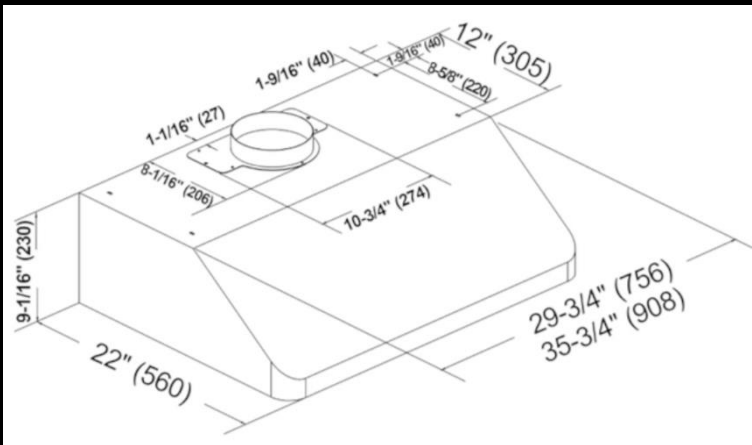
Rear 3-1/4" x 10" Rectangular

Filter: Baffle

Light: 3-watt LED

ECO Mode™: No

Delay Shutoff: No



RA38 SQB-1

Model No.:

RA3830SQB-1 (30")

RA3836SQB-1 (36")

Specification:

Product Line: Premium

Size: 30" , 36"

Speed: 3-Speed

Control: Mechanical Push Button

Blower: 680 CFM Internal Blower – for 30"
750 CFM Internal Blower – for 36"

QuietMode™: 1 Sone

Recirculating / Ductless: No

Ducting: Vertical

Exhaust: Top 6" Round

Filter: Baffle

Light: 3-watt LED

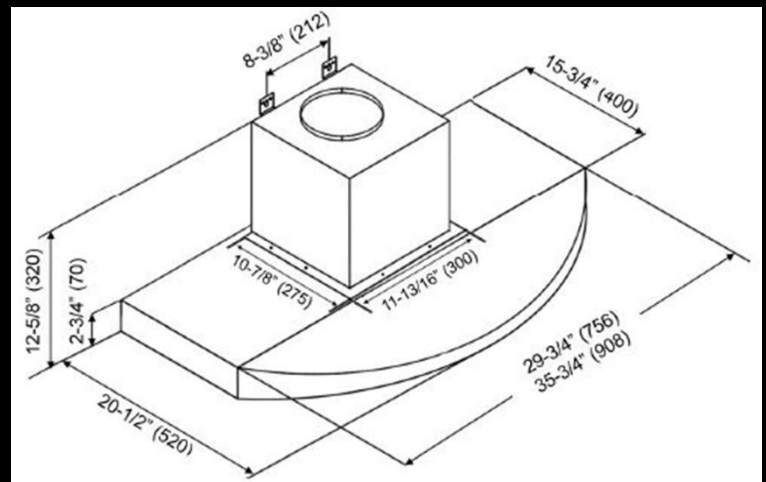
ECO Mode™: No

Delay Shutoff: No



The motor of the RA38 SQB-1 is concealed inside the cabinet and all that shows is the slim 2-3/4" profile. This is a truly elegant range hood, perfectly designed for taller cabinets. The unique front slope curve adds a sleek look to any kitchen.

Boasting a high performance 680 CFM internal blower for the 30" wide; and 750 CFM internal blower for 36", this under cabinet hood is equipped with LED lights, baffle filters and 3-speed mechanical push buttons.



CH77 SQ6-XX



Model No.:

CH7730SQ6-XX (30")

CH7736SQ6-XX (36")

CH7748SQ6-XX (48")

Specification:

Product Line: Premium

Size: 30" , 36" , 48"

Speed: 6-Speed

Control: Electronic Button with LED Display

Blower: 700 CFM Internal Blower

QuietMode™: 2 Sones

Recirculating / Ductless: No

Ducting: Vertical

Exhaust: Top 6" Round

Filter: Airflow Efficiency Panel

Light: 3-watt LED with 3-level lighting

ECO Mode™: Yes

Delay Shutoff: Yes

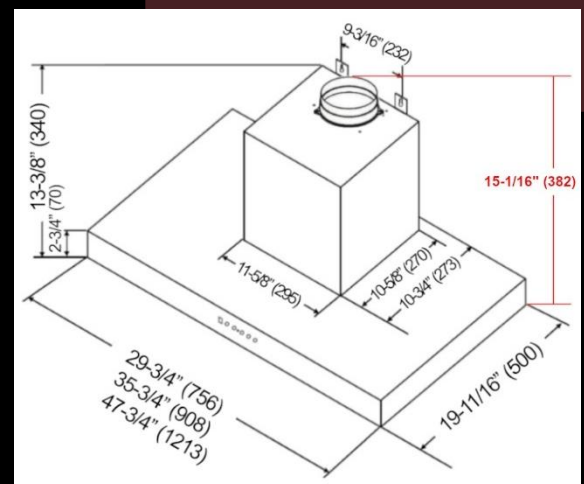
Optional Accessories: Remote Control KRC6

The CH77 SQ6-XX is a low profile under cabinet hood that is designed for taller cabinets. This hood will bring a modern and contemporary look to any kitchen.

It comes with KOBE's latest technology, Flame and Temperature sensors. This technology will provide a new experience in using range hoods! With these features, the hood turns on/off automatically by detecting a spark of flame and adjust fan speed levels based on temperature changes. No physical touch or gestures is required.

**This feature can only work with gas cooktop and ranges.*

It is equipped with Airflow Efficiency Panel(s) that traps grease effectively and allows improved perimeter suction and sound reduction. Other features include ECO Mode™ technology, delay shutoff and 3-level lighting.

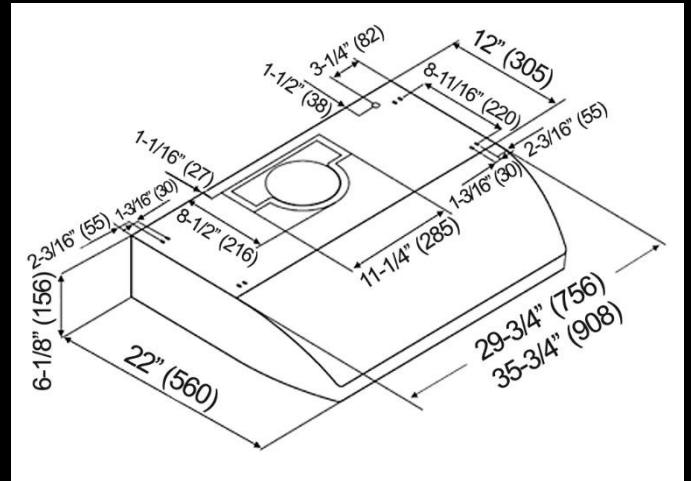


CH22 SQB6-XX

Professional handcrafted with 18-gauge commercial grade stainless steel with a satin finish, the CH22 SQB6-XX is designed to be functional without being the focal point, the smooth curves of the CH22 SQB6-XX have a unique style that allow the hood to blend into your kitchen.

The hood's built-in flame and temperature sensors work with all brands of gas cooktops and ranges, automatically turn on/off, and adjust fan speeds by detecting a spark or flame without the need for physical touch or hand gestures. It provides a true hands-free experience!

Other features include ECO Mode™, delay shutoff and 3-level lighting.



Model No.:

CH2230SQB6-XX (30")

CH2236SQB6-XX (36")

Specification:

Product Line: Premium

Size: 30", 36"

Speed: 6-Speed

Control: Electronic Button with LED Display

Blower: 680 CFM Internal Blower

QuietMode™: 2 Sones

Recirculating / Ductless: No

Ducting: Vertical

Exhaust: Top 6" Round

Filter: Baffle

Light: 3-watt LED with 3-level lighting

ECO Mode™: Yes

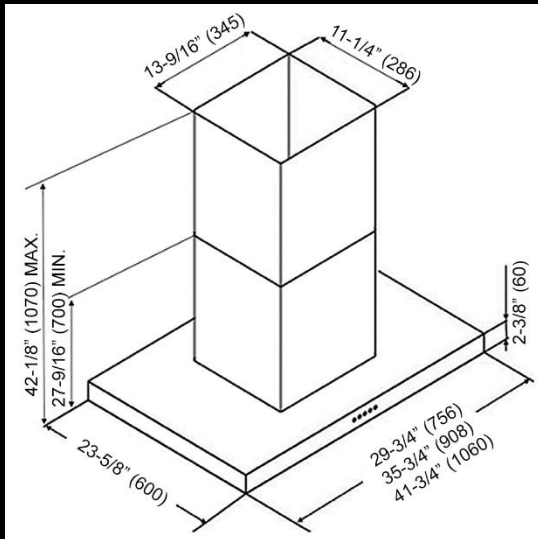
Delay Shutoff: Yes

Optional Accessories: Remote Control KRC6



ISLAND

ISX21 SQB-2



The ISX21 SQB-2 Series island hood is professionally handcrafted with 20-gauge commercial grade stainless steel and features a beautiful seamless design.

It uses high powered 680 CFM internal blower that can operate quietly at 1 sone on QuietMode™. It comes with standard features including 3-speed mechanical push buttons, LED lights and baffle filters.

This island hood is designed to fit ceiling height between 8 to 9-1/2 feet. For taller ceilings, the optional duct extension ISX21DC37-O is available as an additional purchase.

Model No.:
ISX2130SQB-2 (30")
ISX2136SQB-2 (36")
ISX2142SQB-2 (42")

Specification:

Product Line: Brillia
Size: 30" , 36" , 42"
Speed: 3-Speed
Control: Mechanical Push Button
Blower: 680 CFM Internal Blower
QuietMode™: 1 Sone
Recirculating / Ductless: No
Ducting: Vertical
Exhaust: Top 6" Round
Filter: Baffle
Light: 3-watt LED
ECO Mode™: No
Delay Shutoff: No
Fits Ceiling Height: 8ft to 9-1/2ft
Duct Extension: ISX21DC37-O (for 9-1/2ft to 10-1/2ft ceiling)

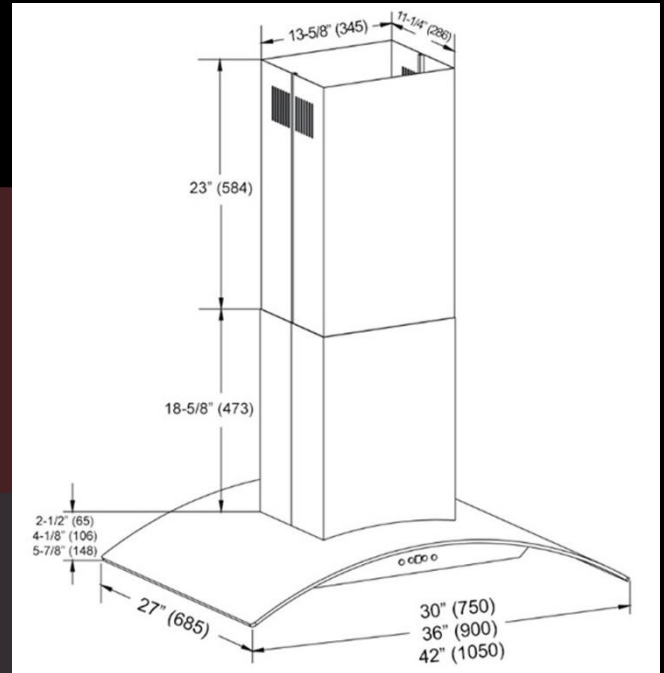


ISX24 SQB-2

Made with high quality commercial grade stainless steel, this beautiful island hood includes a simply, yet elegant glass canopy that will surely complement any kitchen design.

It comes with 6-speed electronic control with LED display, dishwasher-safe baffle filters, 4-level setting LED lights and delay shutoff. The ISX24 SQB-2 Series is equipped with an internal blower that can run at a maximum of 600 CFM or run quietly at 2 sones on QuietMode™.

The hood has a built-in baffle filter indicator that reminds the user to clean the filters after the hood usage has reached 30 hours.



Model No.:

ISX2430SQB-2 (30")

ISX2436SQB-2 (36")

Specification:

Product Line: Brillia

Size: 30", 36"

Speed: 6-Speed

Control: Electronic Control with LED Display

Blower: 600 CFM Internal Blower

QuietMode™: 2 Sones

Recirculating / Ductless: No

Ducting: Vertical

Exhaust: Top 6" Round

Filter: Baffle

Light: 3-watt LED with 4-level lighting

ECO Mode™: No

Delay Shutoff: Yes

Fits Ceiling Height: 7-1/2ft to 9-1/2ft



SPECIFICATIONS

Series	IN26 (1200-1)	IN26 (700-XX)	IN28 (SQB-XX)	IN28 (SQP-XX)	INX29	INX26	INX27	INX28	CH77
Type of Hood	Insert	Insert	Insert	Insert	Insert	Insert	Insert	Insert	Wall Mount / Under Cabinet
Stainless Steel	#430	#430	#430	#430	#201	#201	#201	#201	#430
Design	18-Gauge Seamless	18-Gauge Seamless	18-Gauge	18-Gauge	18-Gauge	20-Gauge	18-Gauge	18-Gauge	18-Gauge Seamless
Number of Motors	2	1	1	1	1	1	1	1	1
LED Light	2 – 36" 3 – 48"	2	2	2	2	2	2	2	2 – 30", 36" 4 – 48"
Speeds	6	6	3	3	3	3	3	3	6
Fan Type	Squirrel Cage	Squirrel Cage	Squirrel Cage	Squirrel Cage	Squirrel Cage	Squirrel Cage	Squirrel Cage	Squirrel Cage	Squirrel Cage
Exhaust Size	Top 8" Round	Top/Rear 6" Round 3-1/4" x 10" Rectangular	Top 6" Round	Top 6" Round	Top 6" Round	Top/Rear 6" Round 3-1/4" x 10" Rectangular	Top 6" Round	Top 6" Round	Top 6" Round
Clearance	26" to 30"	26" to 30"	26" to 30"	26" to 30"	26" to 30"	26" to 30"	26" to 30"	26" to 30"	26" to 30"
Power Supply	120V / 60Hz	120V / 60Hz	120V / 60Hz	120V / 60Hz	110V / 60Hz	110V / 60Hz	110V / 60Hz	110V / 60Hz	120V / 60Hz
CFM (Sone) *from lowest to highest	350 (1.6) 420 (2.8) 540 (3.5) 680 (5.0) 900 (7.0) 1200 (8.0)	300 (1.0) 420 (2.0) 510 (3.5) 590 (5.0) 640 (5.4) 750 (6.0)	300 (1.0) 440 (2.2) 750 (5.6)	300 (1.0) 440 (2.2) 750 (5.6)	157 (1.5) 277 (4.5) 550 (7.0)	180 (2.0) 317 (4.5) 630 (7.0)	157 (1.5) 277 (4.5) 550 (7.0)	157 (1.5) 277 (4.5) 550 (7.0)	280 (2.0) 380 (3.5) 470 (4.5) 550 (5.6) 590 (6.0) 700 (7.0)
Standard Duct Cover	N/A	N/A	N/A	N/A	N/A	N/A	N/A	N/A	CH02DC-1 (for WM only)
Filter	Baffle	Baffle	Baffle	Airflow Efficiency Panel	Baffle / Mesh	Baffle	Baffle / Mesh	Baffle or Honeycomb / Mesh	Airflow Efficiency Panel
Sizes	36" / 48"	30" / 36"	30"	30" / 36"	30" / 36"	30" / 36"	30" / 36"	30"	30" / 36" / 48"
Accessories	KRC6 SSP30 SSP36	KRC6 SSP30 SSP36	INL36211A SSP30 SSP36	INL36211A (for 30" only) SSP30 SSP36	SSP30 SSP36	INL36252B (for 30" only) SSP30 SSP36	INL36211A (for 30" only) SSP30 SSP36	INL36211A SSP30 SSP36	KRC6 SSP30 SSP36

*Specifications are subject to change without notice

CH22	RA38	CHX22	CHX38	RAX21	RA92	CHX81	CHX91	ISX21	ISX24
Wall Mount / Under Cabinet	Wall Mount / Under Cabinet	Wall Mount / Under Cabinet	Wall Mount / Under Cabinet	Wall Mount / Under Cabinet	Wall Mount	Wall Mount	Under Cabinet	Island	Island
#430	#430	#430	#430	#430	#430	#430	#430	#201	#201
18-Gauge Seamless	18-Gauge Seamless	18-Gauge Seamless	18-Gauge Seamless	18-Gauge Seamless	18-Gauge Seamless	18-Gauge Seamless	18-Gauge Seamless	20-Gauge Seamless	20-Gauge Seamless
2	1	2	2	1	1	1	2	1	1
2	2	2	2	2	2	2	2	4	4
6	3	3	3	3	6	3	3	3	6
Turbine Impeller	Squirrel Cage	Turbine Impeller	Turbine Impeller	Squirrel Cage	Squirrel Cage	Squirrel Cage	Turbine Impeller	Squirrel Cage	Squirrel Cage
Top 6" Round	Top 6" Round	Top 6" Round Top/Rear 3-1/4" x 10" Rectangular	Ductless	Top 6" Round	Top 6" Round	Top 6" Round	Top 6" Round Top/Rear 3-1/4" x 10" Rectangular	Top 6" Round	Top 6" Round
26" to 30"	26" to 30"	26" to 30"	26" to 30"	26" to 30"	26" to 30"	26" to 30"	26" to 30"	30" to 36"	30" to 36"
120V / 60Hz	120V / 60Hz	120V / 60Hz	120V / 60Hz	110V / 60Hz	120V / 60Hz	110V / 60Hz	110V / 60Hz	110V / 60Hz	110V / 60Hz
270 (2.0) 370 (3.5) 450 (4.5) 530 (5.6) 580 (6.0) 680 (7.0)	<u>30"</u> 280(1.0) / 300(1.0) <u>36"</u> 450(2.2) / 440(2.0) 680(5.0) / 750(5.6)	300 (1.0) 510 (3.0) 680 (5.0)	150 (1.2) 280 (3.0) 400 (5.0)	320 (3.0) 500 (4.5) 700 (7.0)	280 (2.0) 380 (3.5) 470 (4.5) 550 (5.6) 590 (6.0) 700 (7.0)	320 (3.0) 500 (4.5) 700 (7.0)	306 (1.0) 428 (2.2) 650 (5.0)	280 (1.0) 450 (2.2) 680 (5.0)	310 (2.0) 360 (3.0) 410 (3.5) 480 (4.0) 540 (4.5) 600 (5.0)
CH1120DC-1 (for WM only)	RA028DC-1 (for WM only)	CH1120DC-1 (for WM only)	CH1120DC-1 (for WM only)	RAX21DC-2 (for WM only)	RA092DC-1	CHX81DC-2	N/A	ISX21DC-2	ISX24DC-2
Baffle	Baffle	Baffle	Baffle	Baffle	Baffle	Baffle	Baffle	Baffle	Baffle
30" / 36"	30" / 36"	30" / 36"	30" / 36"	30" / 36" / 42"	30" / 36"	30" / 36"	30" / 36"	30" / 36" / 42"	30" / 36"
KRC6 SSP30 SSP36	SSP30 SSP36	TVC20 SSP30 SSP36	SSP30 SSP36	SSP30 SSP36	RA0930DC-1 RA0946DC-1 SSP30 SSP36	CHX81DC30-I CHX81DC47-I SSP30 SSP36	SSP30 SSP36	ISX21DC37-O	N/A


KOBE Range Hoods


11775 Clark Street
Arcadia, CA 91006
USA




Contact Us

 626.775.8880

 626.775.8885

 info@koberangehoods.com

 www.koberangehoods.com