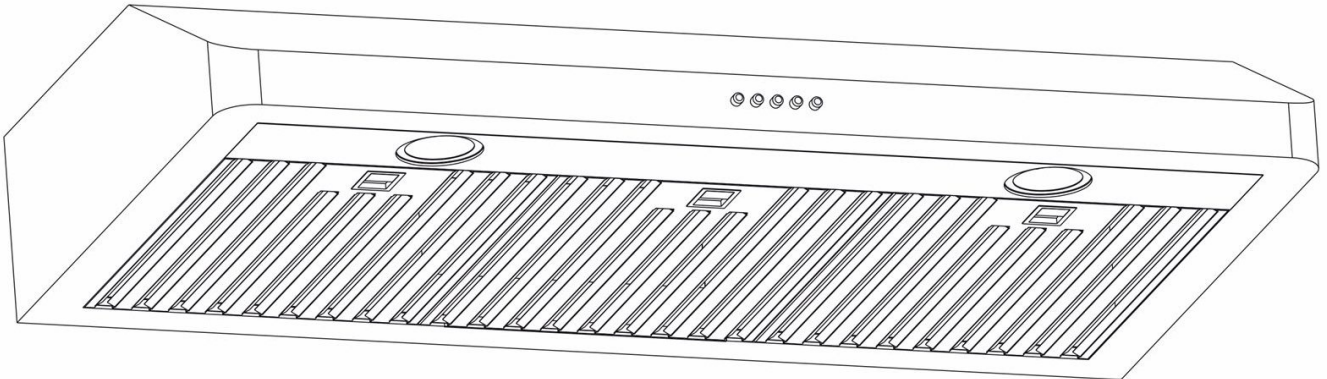


KOBE® **KOBE Range Hoods**



CHX36 SB-6 Series

Model No.

Under Cabinet: CHX3630SB-6 (30")
CHX3636SB-6 (36")

**INSTALLATION INSTRUCTIONS
AND OPERATION MANUAL**

IMPORTANT READ THIS FIRST

READ BEFORE INSTALLATION

1. Carefully check all contents of package(s).
2. Thoroughly inspect the unit for any shipping damages, cosmetic damages or defects.
3. Have a certified contractor/electrician test the unit before installation.

IF THERE IS ANY PROBLEM:

1. **DO NOT INSTALL THE UNIT AND KEEP ALL ORIGINAL PACKAGING MATERIAL.**
2. Have your original invoice as proof of purchase and product serial number ready.
3. Contact your merchant for product replacement due to shipping damages, cosmetic damages or defects.
4. For all other issues, call 1-877-BUY-KOBE (289-5623), or e-mail to info@koberangehoods.com.

NO RETURN, NO REFUND, NO EXCHANGE IF:

1. PRODUCT HAS BEEN INSTALLED
2. KNOCK-OUT HOLES HAVE BEEN PUNCTURED
3. MISSING ORIGINAL PACKAGING MATERIAL
AND/OR PARTS

[ENGLISH]

- READ AND SAVE THESE INSTRUCTIONS -

CONTENTS

IMPORTANT SAFETY INSTRUCTIONS	1
COMPONENTS OF PACKAGE.....	3
INSTALLATION.....	4
OPERATING INSTRUCTIONS.....	6
MAINTENANCE.....	7
SPECIFICATIONS	8
MEASUREMENTS & DIAGRAMS.....	9
TROUBLE SHOOTING	10
WARRANTY	11
WARRANTY INFORMATION FORM.....	13

- READ ALL INSTRUCTIONS CAREFULLY BEFORE STARTING -

ALL WIRING MUST BE DONE BY A PROFESSIONAL AND IN ACCORDANCE WITH NATIONAL AND LOCAL ELECTRICAL CODES



IMPORTANT SAFETY INSTRUCTIONS

- PLEASE READ THIS SECTION CAREFULLY BEFORE INSTALLATION -

⚠WARNING: TO REDUCE THE RISK OF FIRE, ELECTRIC SHOCK OR PERSONAL INJURY, OBSERVE THE FOLLOWING:

- 1) Installation and electrical wiring must be done by qualified professionals and in accordance with all applicable codes and standards, including fire-rated construction.
- 2) When cutting or drilling into wall or ceiling, be careful not to damage electrical wiring or other hidden utilities.
- 3) Ducted fans must be vented to the outside.
 - a) Before servicing or cleaning unit, open the light panel and SWITCH POWER OFF AT SERVICE PANEL.
 - b) Clean all grease laden surfaces frequently. To reduce the risk of fire and to disperse air properly, make sure to vent air outside. DO NOT vent exhaust air into wall spaces, attics, crawl spaces or garages.

NOTE - This warranty is void without an authorized agent's receipt or if unit is damaged due to misuse, poor installation, improper use, mistreatment, negligence or any other circumstances beyond the control of KOBE RANGE HOODS authorized agents. Any repair carried out without the supervision of KOBE RANGE HOODS authorized agents will automatically void the warranty.

- KOBE RANGE HOODS will not be held responsible for any damages to personal property or real estate or any bodily injuries whether caused directly or indirectly by the range hood.

⚠WARNING: TO REDUCE THE RISK OF PERSONAL INJURY IN THE EVENT OF A RANGE TOP GREASE FIRE:

1. Keep all fan, baffle/spacer/filter/oil tunnel/oil container and grease-laden surfaces clean. Grease should not be allowed to accumulate on fan, baffle/spacer/filter/oil tunnel/oil container.
2. Always turn hood ON when cooking.
3. Use high settings on cooking range ONLY when necessary.
4. Do not leave cooking range unattended when cooking.
5. Always use cookware and utensils appropriate for the type and amount of food prepared.
6. Use this unit only in the manner intended by the manufacturer.
7. Before servicing, switch power off at service panel and lock service panel (if possible) to prevent power from switching on accidentally.
8. Clean ventilating fan frequently.

What to Do In The Event Of a Range Top Grease Fire

- SMOTHER FLAMES with a tight fitting lid, cookie sheet, or metal tray, and then turn off the burner. KEEP FLAMMABLE OR COMBUSTIBLE MATERIAL AWAY FROM FLAMES. If the flames do not go out immediately, EVACUATE THE AREA AND CALL THE FIRE DEPARTMENT or 911.
- NEVER PICK UP A BURNING PAN – You May Get Burned.
- DO NOT USE WATER, including wet dishcloths or towels – a steam blast will result.
- Use an extinguisher ONLY if:
 - a) You have a Class A, B, C extinguisher and know how to operate it.
 - b) The fire is small and contained in the area where it started.
 - c) The fire department has been called.
 - d) You can fight the fire with your back to an exit.

What to Do If You Smell Gas

- Extinguish any open flame.
- Do not try to turn on the lights or any type of appliance.
- Open all doors and windows to disperse the gas. If you still smell gas, call the Gas Company and Fire Department right away.

CAUTION

- 1) For general ventilation use only. Do not use to exhaust hazardous or explosive materials and vapors.
- 2) To reduce the risk of fire, use only metal ductwork. Sufficient air is needed for proper combustion and exhausting of gases through the flue (chimney) to prevent back drafting.
- 3) Follow the heating equipment manufacturer's guideline and safety standards such as those published by the National Fire Protection Association (NFPA), and the American Society for Heating, Refrigeration and Air Conditioning Engineers (ASHRAE), and code authorities.
- 4) Activating any switch on may cause ignition or an explosion.
- 5) Due to the size and weight of this hood, installation by 2 persons is recommended.

WARNING



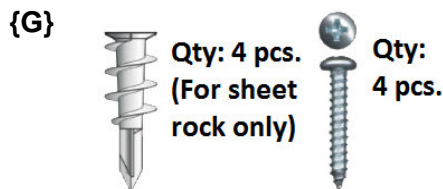
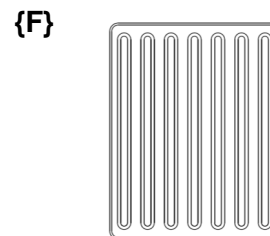
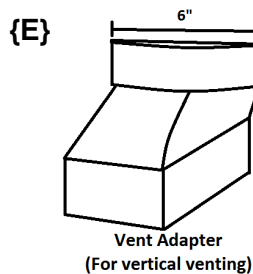
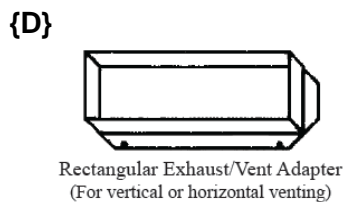
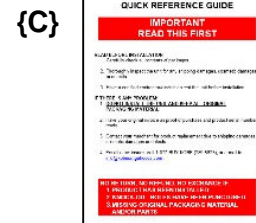
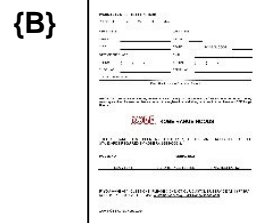
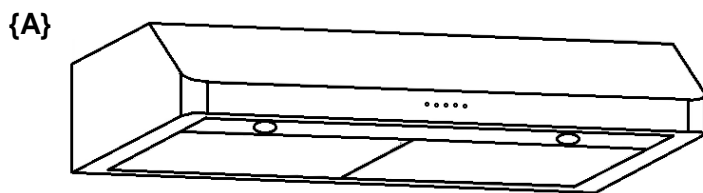
ELECTRICAL SHOCK HAZARD – Can result in serious injury or death. Disconnect appliance from electric power before servicing. If equipped, the fluorescent light bulb contains small amounts of mercury, which must be recycled or disposed of according to Local, State, and Federal Codes.

COMPONENTS OF PACKAGE

(Must keep all material for returns or refunds)

CHX36 SB-6 Series Range Hood Box

- {A} KOBE Range Hood
- {B} Warranty Registration Card
- {C} Quick Reference Guide
- {D} 3-1/4" x 10" Rectangular Exhaust/ Vent Adapter
- {E} 6" Round Vent Adapter (for vertical venting)
- {F} Baffle Filters x 2 (30" hood)
x 3 (36" hood)
- {G} Screws



◆ FOR MORE INFORMATION, PLEASE VISIT OUR WEBSITE www.koberangehoods.com OR CONTACT KOBE RANGE HOODS AT (626) 775-8880.

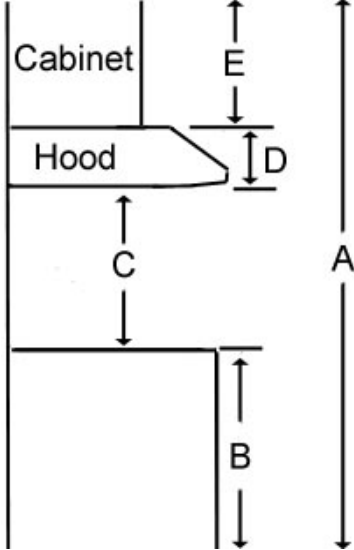
INSTALLATION

PLEASE READ ENTIRE INSTRUCTIONS BEFORE PROCEEDING

Calculation before Installation

To calculate installation, please refer to TABLE 1 (all calculations are in inches.)

- FOR UNDER THE CABINET -

TABLE 1	
A = Height of Floor to Ceiling B = Height of Floor to Counter Top (Standard: 36") C = Preferred Height of Counter Top to Hood Bottom (Minimum 26" to 30") D = Height of Hood E = Height of the Cabinet	

SAFETY WARNING

- HOOD MAY HAVE SHARP EDGES; PLEASE WEAR PROTECTIVE GLOVES IF REMOVING ANY PARTS FOR INSTALLING, CLEANING, OR SERVICING.
- BE CAREFUL WHEN USING ELECTRICAL SCREWDRIVER, DAMAGE TO THE HOOD MAY OCCUR.
- MAKE SURE TO PREVENT ANY DEBRIS FROM ENTERING THE VENT OPENING TO AVOID DAMAGE OR MALFUNCTION.

UNDER CABINET INSTALLATION

Installation videos available at www.koberangehoods.com

Before Installation

1. Read any provided document(s).
2. Test the range hood by temporarily connecting to an outlet and turning ON the fan/lights.
3. If you run into any problems, contact KOBE Range Hoods.

Venting Requirements

4. The range hood has 3 exhaust options: top 6" round, top 3-1/4" x 10" rectangular, and rear 3-1/4" x 10" rectangular. The range hood is factory set for vertical venting using round or rectangular vent adapter.
5. Decide the location of the venting pipe from the hood to the outside. A straight, short vent run will allow the hood to perform more efficiently. Try to avoid elbows, transitions, and long run as much as possible as this may reduce the performance of the hood. Make sure that the duct work leads to the outside.

- It is recommended to use metal/aluminum duct/pipe with a uniform size (ex. 6" round pipe from range hood to the outside).
- If an elbow is necessary, a minimum of 12" straight run is necessary before the elbow.

Clearance

- Clearance is the distance between the cooktop and the bottom of the range hood. The recommended minimum clearance is 26" and the maximum clearance is 30".
- It is important to install the hood at the recommended clearance. Installing too low could result in damage and/or fire hazard while installing too high may result in reduced performance and efficiency.

Hood Installation

- Remove any protective film off the hood, if any.
- For installing under the cabinet with recessed bottom, attach 4-inch wide wood filler strips (not included) on each side (refer to figure 1).
- Create access opening for electrical wires (refer to figure 2) and hood exhaust under the cabinet.
- If applicable, puncture the knockout holes on top of the hood. It is recommended to use an electric drill with an appropriate drill bit for steel to puncture the knockout holes.
- Align the hood in the center of the cabinet. As an optional step, you may position a flat-surfaced object below the hood as a support. Alternatively, another person can temporarily hold the hood.
- Attach the screws through the knockout holes from the bottom to the top. The best way is to do this in a diagonal pattern: front left screw first then back right screw or vice versa. Make sure all the screws are tightened and the hood is secured before releasing hold/support.

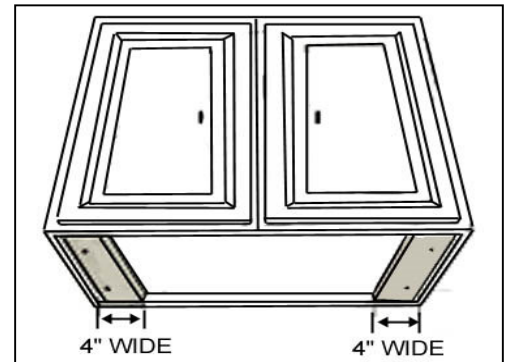


Figure 1

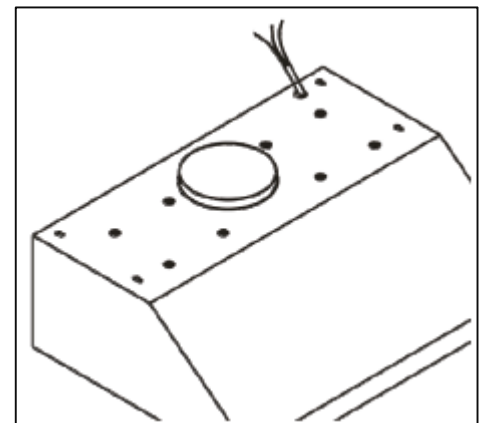


Figure 2

Ductwork

- Once the hood is attached to the cabinet, connect the pipe onto the hood exhaust and secure the joint with duct tape. Make sure that it is completely air tight.

Electrical Wire

- Connect the range hood to an outlet.
- If hardwired is desired, cut off the plug and connect three wires (black, white, green) to the outlet wires and cap with wire connectors. Connect the wires according to color (ex: black to black).

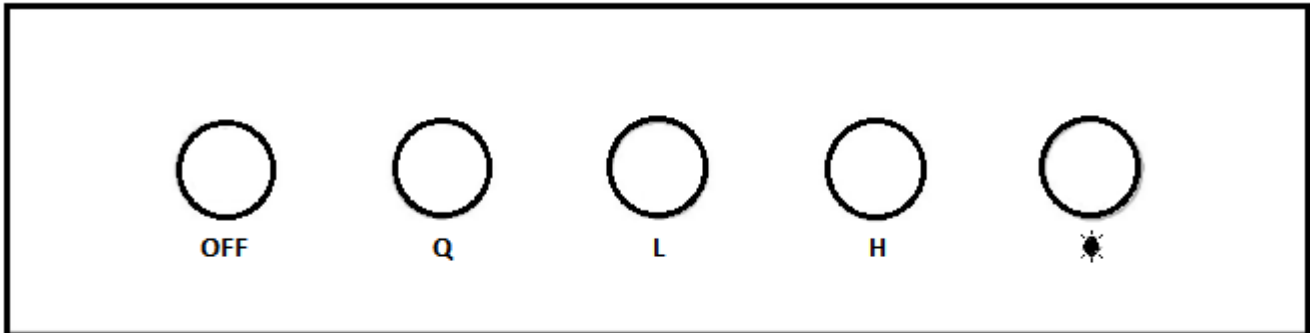
Finish

- Before using, make sure that any accessories such as filters are properly installed where applicable.
- Test the range hood to see if it is working properly.

⚠ THIS RANGE HOOD MUST BE PROPERLY GROUNDED. MAKE SURE THIS IS DONE BY QUALIFIED ELECTRICIAN IN ACCORDANCE WITH ALL APPLICABLE NATIONAL AND LOCAL ELECTRICAL CODES. BEFORE CONNECTING WIRES, SWITCH POWER OFF AT SERVICE PANEL AND LOCK SERVICE PANEL TO PREVENT POWER FROM BEING SWITCHED ON ACCIDENTALLY.

OPERATING INSTRUCTIONS

3-Speed Mechanical Control



Note: For best results, turn fan on prior to any preparation or cooking and keep fans running while cooking. Adjust speed as needed.

Button Control

- OFF = Turns the range hood OFF.
- Q = Lowest fan speed (Quiet).
- L = Middle fan speed (Low).
- H = Highest fan speed (High).
- ☼ = Turns the lights ON/OFF.

Power Control

To turn the hood off, press the OFF button once while it is ON.

Speed Control

Press the speed buttons (Q, L, and H) to increase/decrease the fan speed level.

Light Control

Press the light button to turn ON/OFF the lights.

MAINTENANCE

For optimal performance, clean the range hood surface and baffles regularly.

To Clean Hood Surface

CAUTION: NEVER USE ABRASIVE CLEANERS, PADS, OR CLOTHS.

*** Regular care will help preserve its fine appearance.

1. Use only mild soap or detergent solutions. Dry surfaces using soft cloth.
2. If hood looks splotchy (stainless steel hood), use a stainless steel cleaner to clean the surface of the hood. Avoid getting cleaning solution onto or into the control panel. Follow directions of the stainless steel cleaner. **Caution: Do not leave on too long as this may cause damage to hood finish.** Use soft towel to wipe off the cleaning solution, gently rub off any stubborn spots. Use dry soft towel to dry the hood.
3. DO NOT allow deposits to accumulate or remain on the hood.
4. DO NOT use ordinary steel wool or steel brushes. Small bits of steel may adhere to the surface and cause rusting.
5. DO NOT allow salt solutions, disinfectants, bleaches, or cleaning compounds to remain in contact with stainless steel for extended periods. Many of these compounds contain chemicals, which may be harmful. Rinse with water after exposure and wipe dry with a clean lint free cloth.

For Baffle Filter models only: to Clean Baffle Filter/Oil Tunnel

CAUTION: DRAIN OIL FROM BAFFLE FILTERS, SPACERS & OIL TUNNEL REGULARLY TO PREVENT OVERFLOW.

1. Remove all the baffle filters, spacers and oil tunnel.
2. Using a sponge, wash with warm soapy water. Dry completely before returning into place.
CAUTION: SHARP EDGES (*Note: Baffle Filters are top rack dishwasher safe.*)

SPECIFICATIONS

MODEL / SIZE	<u>Under Cabinet Application</u> CHX3630SB-6 (30") CHX3636SB-6 (36")		
MATERIAL	20-Gauge Commercial Grade Stainless Steel		
CONSUMPTION / AMPERE	326W / 3A (30" , 36")		
NUMBER OF BLOWER	2		
DESIGN	Seamless / Satin Finish		
BLOWER TYPE	Twin Vertical Turbine Impeller		
EXHAUST	Top: 6" Round (available only with a 6" Round Vent Adapter [provided]) 3-1/4" x 10" Rectangular Rear: 3-1/4" x 10" Rectangular		
CONTROLS	Mechanical Push Control (3-Speed)		
LIGHTS	3-watt LED light x 2 (30" , 36")		
HOOD DIMENSION (W x D x H)	CHX3630SB-6	29-1/2" x 11-13/16" x 6"	
	CHX3636SB-6	35-7/16" x 11-13/16" x 6"	
OPTIONAL ACCESSORIES (W x D x H)	1) 30" Stainless Steel Back Panel SSP30: 30" x 1/10" x 32" 2) 36" Stainless Steel Back Panel SSP36: 36" x 1/10" x 32"		
HOOD WEIGHT (lbs)		<u>Net</u>	<u>Gross</u>
	CHX3630SB-6 (30")	27.0	32.0
	CHX3636SB-6 (36")	30.0	38.0
SPEED	QuietMode™	Low	High
Air Capacity (CFM)	250	320	400
Sone* (dB)	1.0 (40)	2.8 (55)	4.0 (60)

*One sone is equivalent to the sound of a refrigerator at 40 decibels.

**Specifications subject to change without notice.

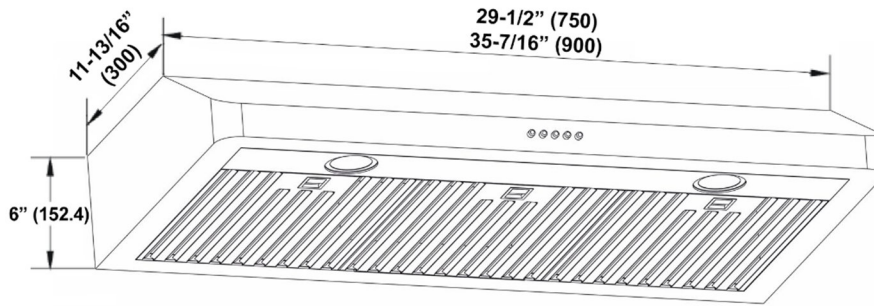
MEASUREMENTS & DIAGRAMS

***All inch measurements are converted from millimeters. Inch measurements are estimated.

***All measurements in () are millimeters.

MODEL NO.: CHX3630SB-6 (30")
 CHX3636SB-6 (36")

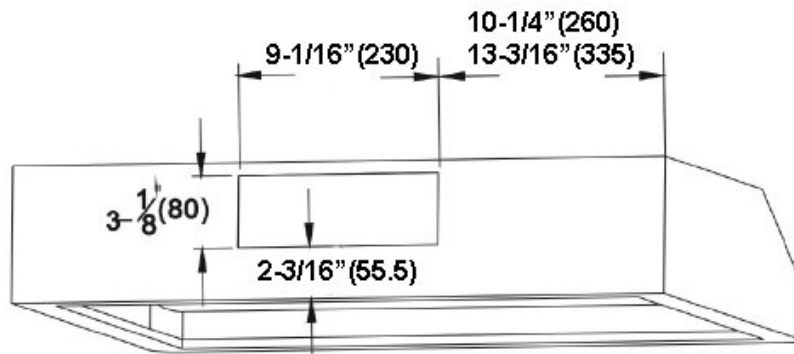
Front View:



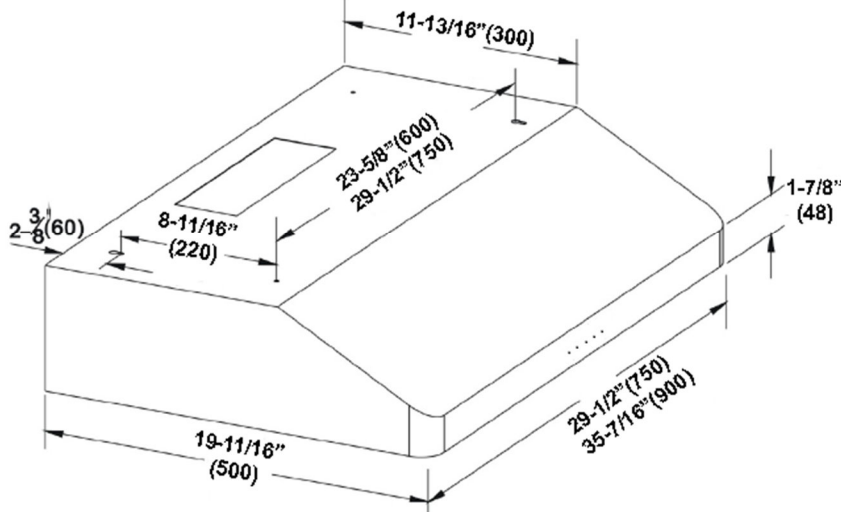
30" (Includes 2 baffle filters)

36" (Includes 3 baffle filters)

Rear View:



Top View:



TROUBLE SHOOTING

Issue	Possible Cause	Solution
After Installation, both motors and lights are not working.	The power is not on.	Make sure the circuit breaker and the unit's power is ON. Use a voltage meter to check the power supply.
	The wire connection is not secure.	Check and tighten wire connection.
	The control unit wiring is disconnected.	Check wire continuity of the control unit to other parts.
	The control unit is defective.	Replace the control unit.
Lights are working, but motor(s) is not.	The motor(s) is defective.	Replace the motor.
	The capacitor(s) is defective.	Replace capacitor(s).
	The control unit is defective.	Replace the control unit.
The range hood is vibrating.	The blower system is not secure.	Tighten the turbine impeller/squirrel cage and air chamber.
	The turbine impeller/squirrel cage is not balanced.	Replace the turbine impeller/squirrel cage.
	Hood is not secured in place.	Check the installation of hood, tighten the installation screws.
The motor is working, but the lights are not working.	LED light fixture(s) is defective.	Replace LED light fixture(s)
	The light wiring(s) is loose.	Check wire continuity from light transformer to LED light fixture(s).
	The control unit is defective.	Replace the control unit.
The range hood is not venting out correctly.	The range hood is installed outside of the manufacture recommended clearance.	Adjust the clearance between the range hood and cooktop to 26" to 30". For Island range hood, the clearance between the range hood and cooktop is 30" to 36".
	There is no make-up air inside the house.	Open the window to enhance the performance of the range hood by creating a sufficient make-up air.
	Obstacle blocking the pipe work.	Remove all obstacles from the duct work.
	The pipe size is smaller than the suggested pipe size.	Change the ducting according to the manufacture suggestion.
Cold air is coming into the home.	The pipe connection is not properly sealed.	Check the pipe installation.
	The damper is not properly installed or is missing from the installation.	Check the damper installation.
	The damper is not installed.	Installing the damper will help eliminate air backflow.

WARRANTY

WARRANTY CERTIFICATE

KOBE Range Hoods (referred to herein as “we” or “us”) warrants to the original purchaser (referred to herein as “you” or “your”) all products manufactured or supplied by us to be free from defect in workmanship and materials as follows:

ONE YEAR LIMITED WARRANTY FOR LABOR AND TWO YEARS LIMITED WARRANTY FOR PARTS:

For one year from the date of your original invoice from a KOBE authorized dealer, we will, at our sole discretion, choose to repair or replace the product free of charge that failed due to manufacturing defects. Parts are covered under warranty for two years from the date of your original invoice from a KOBE authorized dealer.

It is your sole responsibility to ensure the product is readily accessible for the service technician to perform repairs. **The service technician will not, under any circumstance, remove, alter or modify any fixture built around and/or connected to the product to gain access to perform repairs.**

During the One Year Limited Warranty for Labor, additional charges may apply which include but are not limited to:

- Service technician travel charges if the requested service location is 30-miles out of KOBE’s authorized service area
- Parts shipping expenses
- Uninstallation of defective product and Installation of replacement product

Warranty Exclusions:

This warranty does not cover, including but not limited to the following:

- a. Improper installation.
- b. Any repair, alteration, modification not authorized by KOBE.
- c. Duct alteration, modification and connection.
- d. Incorrect electric current, voltage or wiring.
- e. Normal maintenance and service required for the product.
- f. Consumable parts such as light bulbs and carbon filters.
- g. Improper usage of the product that it is not intended for, such as commercial use, outdoor use and multi-family use.
- h. Normal wear and tear.
- i. Chips, scratches or dents by abuse or misuse of the product.
- j. Damages caused by accident, fire, flood and other Acts of God.
- k. Expenses incurred for service located outside of the designated service area.
- l. Purchases from unauthorized dealers.
- m. Removal fees of defective product and Installation fees associated with replacement product.
- n. Scratches inside the hood, inside/back of the baffle filter, and inside the duct cover.

If we determine that the warranty exclusions listed above apply or if you fail to provide all necessary documentation for warranty service, you will be responsible for all expenses associated with the requested service, including parts, labor, shipping, travelling and any other expense related to the service request.

To qualify for warranty service, you must:

1. Have the **ORIGINAL** proof of purchase
2. Be the **ORIGINAL** purchaser of the product
3. Have the model number
4. Have the serial number
5. Have a description of the nature of any defect in the product or part

TO REQUEST FOR WARRANTY PARTS OR SERVICE IN US, PLEASE CONTACT KOBE SERVICE CENTER:

KOBE SERVICE CENTER

Tel: 1-877-BUY-KOBE (289-5623)

E-mail: customer.service@koberangehoods.com

TO REQUEST FOR WARRANTY PARTS OR SERVICE IN CANADA, PLEASE CONTACT:

Tel: 1-626-775-8880

Email: customer.service@koberangehoods.com

WARRANTY INFORMATION FORM

Fill in the blanks and keep this paper with the **original invoice** in a safe place for future service purpose.

1. Date of purchase : _____

2. Model No. : _____

3. Serial No. : _____

For warranty service or spare parts purchase in US, contact:

KOBE Service Center

Toll Free: 1-877-BUY-KOBE (289-5623)

Email: customer.service@koberangehoods.com

For warranty service or spare parts purchase in Canada, contact:

Tel: 1-626-775-8880

Email: customer.service@koberangehoods.com

Your notes:

KOBE®

KOBE Range Hoods
11775 Clark Street
Arcadia, CA 91006 USA

www.koberangehoods.com

This KOBE hood is made for use in the USA and CANADA only. We do not recommend using this hood overseas as the power supply may not be compatible and may violate the electrical code of that country. **Using a KOBE hood overseas is at your own risk and will void your warranty.**

Cette hotte KOBE est fabriquée pour usage aux États-Unis et au Canada seulement. Il n'est pas recommandé d'utiliser cette hotte à l'étranger puisque l'alimentation électrique pourrait ne pas être compatible et enfreindre le code de l'électricité de ce pays. **L'usage de la hotte KOBE à l'étranger est à votre propre risque et la garantie sera annulée.**

Esta campana de extracción KOBE ha sido fabricada para ser utilizada únicamente en EE.UU. y CANADÁ. No recomendamos la utilización de esta campana en el extranjero debido a que la fuente de energía podría no ser compatible y podría violar el código eléctrico de dicho país. **Utilizar una campana KOBE en el extranjero será a su propio riesgo y anulará la garantía.**

VER.161121

Information subject to change without notice.