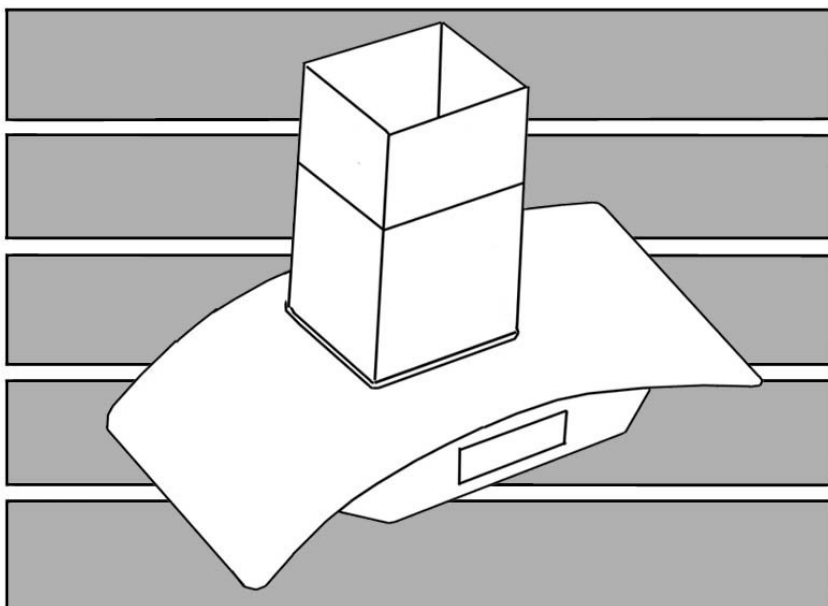


KOBE® KOBE Brand Range Hoods

Model No. IS2436GSB
IS2442GSB

**IS-124 SERIES – 5” HEIGHT
“ISLAND GLASS CANOPY WITH LCD SCREEN”**



INSTALLATION INSTRUCTIONS
AND OPERATION MANUAL

- READ AND SAVE THESE INSTRUCTIONS -

CONTENTS

IMPORTANT SAFETY INSTRUCTIONS1
COMPONENTS OF PACKAGE3
INSTALLATION4
OPERATION INSTRUCTIONS8
MAINTENANCE 11
SPECIFICATIONS 13
MEASUREMENTS & DIAGRAMS 14
PARTS LIST 15
CIRCUIT DIAGRAM 17
TROUBLE SHOOTING 18
DISCLAIMER 19
WARRANTY 20
PRODUCT REGISTRATION 22

- READ ALL INSTRUCTIONS CAREFULLY BEFORE STARTING -

ALL WIRING MUST BE DONE BY A PROFESSIONAL AND IN ACCORDANCE WITH NATIONAL AND LOCAL ELECTRICAL CODES



IMPORTANT SAFETY INSTRUCTIONS

- PLEASE READ THIS SECTION CAREFULLY BEFORE INSTALLATION -

⚠WARNING: TO REDUCE THE RISK OF FIRE, ELECTRIC SHOCK OR PERSONAL INJURY, OBSERVE THE FOLLOWING:

- 1) Installation and electrical wiring must be done by qualified professionals and in accordance with all applicable codes and standards, including fire-rated construction.
- 2) When cutting or drilling into wall or ceiling, be careful not to damage electrical wiring or other hidden utilities.
- 3) Ducted fans must be vented to the outside.
 - a) Before servicing or cleaning unit, open the light panel and SWITCH POWER OFF AT SERVICE PANEL.
 - b) Clean all grease laden surfaces frequently. To reduce the risk of fire and to disperse air properly, make sure to vent air outside. DO NOT vent exhaust air into wall spaces, attics, crawl spaces or garages.

NOTE - This warranty is invalid without an authorized agent's receipt or if unit is damaged due to misuse, poor installation, improper use, mistreatment, negligence or any other circumstances beyond the control of KOBE RANGE HOODS authorized agents. Any repair carried out without the supervision of KOBE RANGE HOODS authorized agents will automatically void the warranty.

- KOBE RANGE HOODS will not be held responsible for any damages to personal property or real estate or any bodily injuries whether caused directly or indirectly by the range hood.

⚠WARNING: TO REDUCE THE RISK OF PERSONAL INJURY IN THE EVENT OF A RANGE TOP GREASE FIRE:

- Keep all fan, baffle/spacer/filter/oil tunnel/oil container and grease-laden surfaces clean. Grease should not be allowed to accumulate on fan, baffle/spacer/filter/oil tunnel/oil container.
- Always turn hood ON when cooking.
- Use high settings on cooking range ONLY when necessary.
- Do not leave cooking range unattended when cooking.
- Always use cookware and utensils appropriate for the type and amount of food prepared.
- Use this unit only in the manner intended by the manufacturer.
- Before servicing, switch power off at service panel and lock service panel (if possible) to prevent power from switching on accidentally.
- Clean ventilating fan frequently.

What to Do In The Event Of a Range Top Grease Fire

- SMOTHER FLAMES with a tight fitting lid, cookie sheet, or metal tray, and then turn off the burner. KEEP FLAMMABLE OR COMBUSTIBLE MATERIAL AWAY FROM FLAMES. If the flames do not go out immediately, EVACUATE THE AREA AND CALL THE FIRE DEPARTMENT or 911.
- NEVER PICK UP A BURNING PAN – You May Get Burned.
- DO NOT USE WATER, including wet dishcloths or towels – a violent steam blast will result.
- Use an extinguisher ONLY if:
 - a) You have a Class A, B, C extinguisher and know how to operate it.
 - b) The fire is small and contained in the area where it started.
 - c) The fire department has been called.
 - d) You can fight the fire with your back to an exit.


What to Do If You Smell Gas

- Extinguish any open flame.
- Do not try to turn on the lights or any type of appliance.
- Open all doors and windows to disperse the gas. If you still smell gas, call the Gas Company and Fire Department right away.

⚠ CAUTION

- 1) For general ventilation use only. Do not use to exhaust hazardous or explosive materials and vapors.
- 2) To reduce the risk of fire, use only metal ductwork. Sufficient air is needed for proper combustion and exhausting of gases through the flue (chimney) to prevent back drafting.
- 3) Follow the heating equipment manufacturer’s guideline and safety standards such as those published by the National Fire Protection Association (NFPA), and the American Society for Heating, Refrigeration and Air Conditioning Engineers (ASHRAE), and code authorities.
- 4) Activating any switch on may cause ignition or an explosion.
- 5) Due to the size and weight of this hood, two people installation is recommended.

⚠ WARNING	ELECTRICAL SHOCK HAZARD – Can result in serious injury or death. Disconnect appliance from electric power before servicing. If equipped, the fluorescent light bulb contains small amounts of mercury, which must be recycled or disposed of according to Local, State, and Federal Codes.
------------------	---

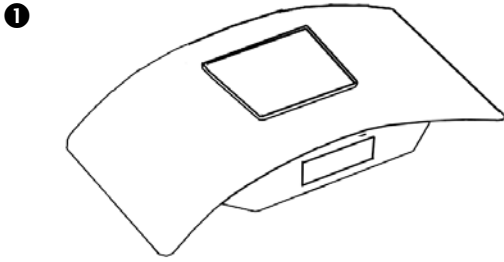


COMPONENTS OF PACKAGE

(Must keep all material for returns or refunds)

BOX 1 OF 2
MODEL NO. IS2436GSB
MODEL NO. IS2442GSB

- ❶ Glass Canopy w/ LCD Screen – 1
- ❷ Baffle Filter – 2
- ❸ Warranty Registration Card – 1
- ❹ Instructions Manual – 1

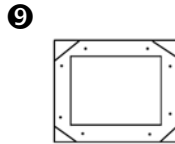
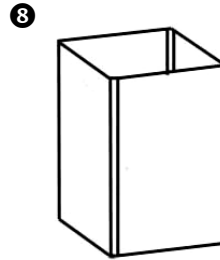
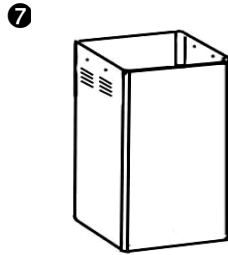
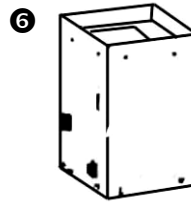
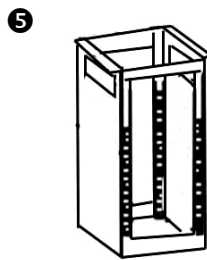


* Attached to Hood

BOX 2 OF 2
MODEL NO. IS124DC



- ❺ Telescopic Stack – 1
- ❻ Blower Unit - 1
- ❼ Inner Duct Cover – 1
- ❽ Outer Duct Cover – 1
- ❾ Mounting Template – 1
- ❿ 7" Round Damper – 1
- ⓫ Screws Package



* Attached to Blower Unit

⓫



M 5 x 15 (12 pcs) ST 3 x 15 (4 pcs)

* Attached to the Unit

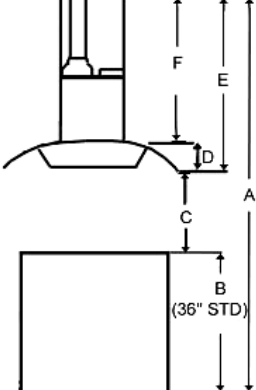
◆ **OPTIONAL RECIRCULATING KIT AVAILABLE.** FOR MORE INFORMATION, PLEASE VISIT OUR WEBSITE WWW.KOBERangeHoods.com OR CONTACT KOBE RANGE HOODS AT (626) 775-8880.

INSTALLATION

PLEASE READ ENTIRE INSTRUCTIONS BEFORE PROCEEDING

Calculation before Installation

To calculate installation, please refer to TABLE 1. (All calculation in inches.)

TABLE 1	
<p>A = Height of Floor to Ceiling B = Height of Floor to Counter Top (Standard: 36") C = Preferred Height of Counter Top to Hood Bottom (Recommended 30" to 36") D = Height of Hood E = Height of the Hood Installation [A - (B+C)] F = Height of Duct Cover [E - D]</p>	 <p>The diagram illustrates the vertical dimensions for installing a range hood. It shows a side view of the hood mounted above a counter. Dimension A is the total height from the floor to the ceiling. Dimension B is the height from the floor to the counter top, with a note '(36" STD)'. Dimension C is the height from the counter top to the bottom of the hood. Dimension D is the height of the hood itself. Dimension E is the total height from the counter top to the top of the hood's installation. Dimension F is the height of the duct cover above the hood. Arrows indicate the measurement directions for each dimension.</p>

SAFETY WARNING

HOOD MAY HAVE VERY SHARP EDGES; PLEASE WEAR PROTECTIVE GLOVES IF REMOVING ANY PARTS FOR INSTALLING, CLEANING OR SERVICING.

NOTE: BE CAREFUL WHEN USING ELECTRICAL SCREWDRIVER, DAMAGE TO THE HOOD MAY OCCUR.

Preparation before Installation

NOTE: TO AVOID DAMAGE TO YOUR HOOD, PREVENT DEBRIS FROM ENTERING THE VENT OPENING.

- Decide the location of the venting pipe from the hood to the outside. (Figure 1)
- A straight, short vent run will allow the hood to perform more efficiently.
- Try to avoid as many transitions, elbows, and long run as possible. This may reduce the performance of the hood.
- Temporarily wire the hood to test for proper operation before installing. Refer to figure 5 on page 6.
- **Important: Peel protective film off the hood and duct covers, if any.**
- Use duct tape to seal the joints between pipe sections.

Advance Planning

1. Mark centerlines of cook top or range on ceiling. Use centerlines marked on ceiling to position the mounting template as shown in Figure 2.
2. Remove and save template. Cut and remove ceiling drywall. Install 2" x 4" cross framing lumber (not provided) between ceiling joists.
3. The framing should be spaced 12-1/8" at the front centerline and 14-1/4" on the sides to accept the mounting screw in the telescopic stack. Refer to MEASUREMENTS & DIAGRAMS on pages 14. Shown in Figure 3.
4. Finish the ceiling surface. Be sure to mark the location of the ceiling joists and cross framing lumber.
5. Align the mounting template to the ceiling marks and tape in place. Cut the 7-1/4" duct open and approximately 1" wire access hole. Drill holes for the 8 mounting screws as indicated on the template.

Figure 1

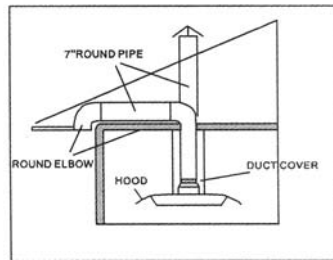


Figure 2

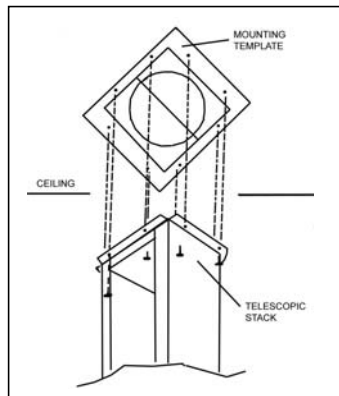
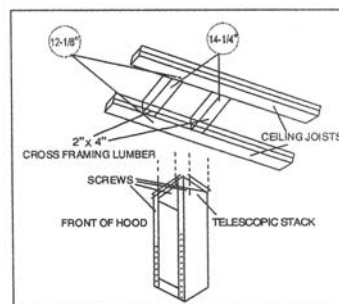


Figure 3



Telescopic Stack Installation

- Align the telescopic stack to the pre-drill holes on the ceiling and securely fasten to the joists and cross framing lumber with eight screws (not provided). Make sure screws are driven into center of joists and cross framing lumber for maximum support.
- Adjust the blower unit to the telescopic stack using reference **F** calculated in TABLE 1 on page 4 and measurements on pages 14. Tighten blower unit to the telescopic stack with four (M5 x 15) screws (provided) as shown in Figure 4.

Wiring to Power Supply

SAFETY WARNING

RISK OF ELECTRICAL SHOCK. THIS RANGE HOOD MUST BE PROPERLY GROUNDED. MAKE SURE THIS IS DONE BY QUALIFIED ELECTRICIAN IN ACCORDANCE WITH ALL APPLICABLE NATIONAL AND LOCAL ELECTRICAL CODES. BEFORE CONNECTING WIRES, SWITCH POWER OFF AT SERVICE PANEL AND LOCK SERVICE PANEL TO PREVENT POWER FROM BEING SWITCHED ON ACCIDENTALLY.

- Route house wiring into the ceiling as close to the installation location as possible. Allow additional length to drop down from the ceiling to the electric box.
- Connect the electrical wires according to color (green to green, white to white, and green to green) and cap with wire connectors as shown in Figure 5. Green wire must be grounded to reduce risk of electric shock.

Ductwork Installation

- Use 7" round aluminum or steel pipe (not provided) to connect the 7" round damper on the hood to the ductwork above. NOTE: Place 7" round duct pipe over the damper. Seal with duct tape to make all joints secure and air tight. NOTE: MAKE SURE FLAPS ON DAMPER CAN OPEN & CLOSE FREELY. (Figure 6)

Figure 4

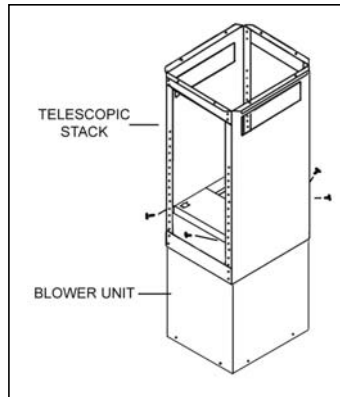


Figure 5

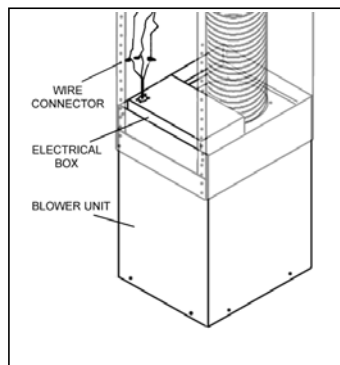
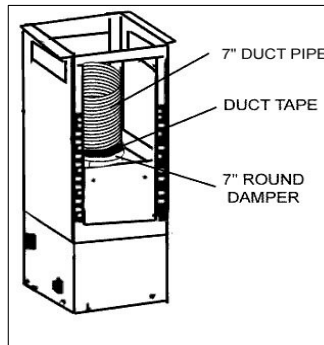


Figure 6



Duct Cover Installation

11. Slide the inner duct cover up and secure to the telescopic stack with four (ST 3 x 15) screws (provided). Refer to Figure 7.
12. With assistance, slide the outer duct cover to the blower unit and ask assistant to hold steady until step 15 is completed.
13. Attach glass canopy with LCD screen underneath the blower unit. Make sure blower unit is inside the housing connector. Refer to the PARTS LIST on pages 14.
14. Secure the housing connector to the blower unit with eight (M5 x 15) screws (provided) as shown in Figure 8.
15. Ask assistant to slide outer duct cover downward so it rest within the grooves of the glass canopy.

Figure 7

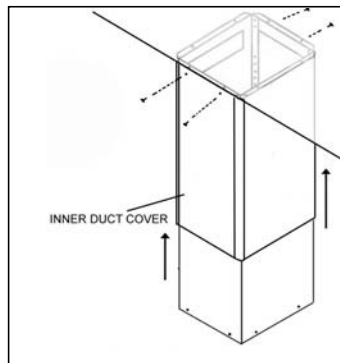
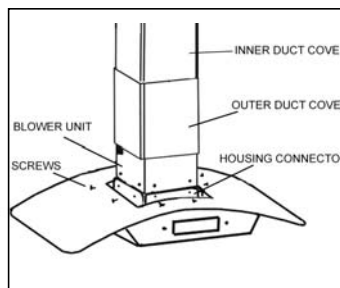


Figure 8



Connection to LCD Screen

SAFETY WARNING
RISK OF ELECTRICAL SHOCK. THIS RANGE HOOD MUST BE PROPERLY GROUNDED. MAKE SURE THIS IS DONE BY QUALIFIED ELECTRICIAN IN ACCORDANCE WITH ALL APPLICABLE NATIONAL AND LOCAL ELECTRICAL CODES. BEFORE CONNECTING WIRES, SWITCH POWER OFF AT SERVICE PANEL AND LOCK SERVICE PANEL TO PREVENT POWER FROM BEING SWITCHED ON ACCIDENTALLY.

16. Remove front baffle filter (directly behind LCD screen). When facing the LCD screen, turn knobs slightly to left to release baffle filter. CAUTION: DO NOT OVERTURN KNOBS.
17. Connect the wires according to connector color to the blower unit.
18. Place baffle filters back in place.

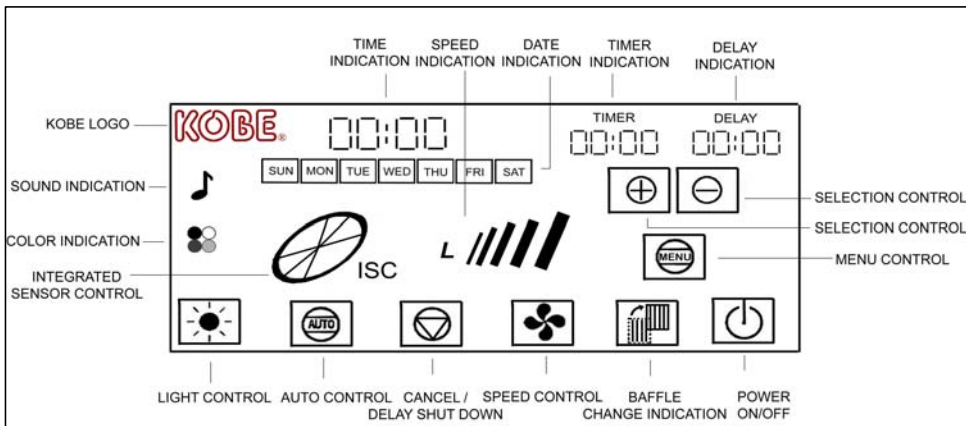
Final Assembly

19. Turn power ON in control panel. Check all lights and fan operation.
20. Make sure to leave this manual for the homeowner.

OPERATION INSTRUCTIONS

Figure 9

LCD DISPLAY:





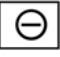
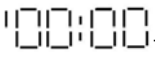

PRESS  TO TURN ON/OFF THE LCD SCREEN

(When power is turned on, LCD screen will light up & remain lit until turn off. When power is turned off, LCD screen will remain lit for several seconds before turning off.)





GENERAL SETUP

(During menu option, if a function is not chosen within 10 seconds, the icon will stop flashing & menu option will end.)




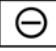
- **Setting Time**

1. Press  until time icon flashes.
2. Press  or  to select current time by hh:mm.
(Choose  for A.M. or  for P.M.)




- **Setting Date**

1. Press  until date section flashes.
()
2. Press  or  to select current date.

- **Setting Background Color**


1. Press  until  flashes.
2. Press  or  to select background color (purple, light blue, or green).

- **Setting Sound**

1. Press  until  flashes.
2. Press  to select sound.

OR


Press  to mute sound.

(When  appears, keypad sound is ON.)


HOOD OPERATION

- **Turning Fan ON/OFF**


1. Press  to turn fan ON.


(Each press of  will cycle the fan through QuietMode™, Low, Medium, and High.)
The screen will indicate:

 = QuietMode™ Speed

 = Low Speed

 = Medium Speed

 = High Speed


2. Press  once will place fan on 3 minute delay shutoff.

OR

Press  twice will immediately turn fan OFF.

- **Turning ISC (Integrated Sensor Control) ON/OFF**


1. Press  to turn ISC ON.


( ISC will indicate that the ISC system is ON. When gas, smoke, or higher than normal room temperature is detected, fan will automatically turn ON. Fan will turn to its highest speed and decrease speed until all gas and smoke are eliminated.)

2. Press  to turn ISC OFF.

- **Turning Lights ON**




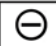


(Light control is separate from ON/OFF control. Turning power off will not turn lights off.)

1. Press  to turn halogen lights ON.



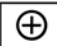
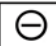

(Each press of  will cycle the light intensity through low, high, and off.)

- **Setting Delay Mode**

(Delay Mode will only turn off the fans. Other functions that are active will not be turned off.)

1. Press  until  icon flashes.
2. Press  or  to set up the time for delay shut down by mm:ss.
3. Press  until none of the icons are flashing. Press  to start delay shutdown.
4. When countdown reaches 00:00, a warning sound will be emitted and fans will turn off.

- **Setting Timer Mode**

1. Press  until  icon flashes.
2. Press  or  to set the desire time in the timer mode by mm:ss.
3. Press  until none of the icons are flashing to begin timer.
(When countdown reaches 00:00, a warning sound will be emitted.)

MAINTENANCE

SAFETY WARNING

NEVER PUT YOUR HAND INTO AREA HOUSING THE FAN WHILE THE FAN IS OPERATING.

Cleaning Hood Surface

CAUTION: NEVER USE ABRASIVE CLEANERS, PADS, OR CLOTHS. DO NOT USE PAPER TOWEL ON STAINLESS STEEL.

For optimal operation, clean range hood and all baffle/spacer/filter/oil tunnel/oil container regularly.


*** Regular care will help preserve the appearance of the hood.

1. Use only mild soap or detergent solutions. Dry surfaces using soft cloth.
2. If hood looks splotchy (stainless steel hood), use a stainless steel cleaner to clean the surface of the hood. Avoid getting cleaning solution onto or into the control panel. Follow directions of the stainless steel cleaner. **Caution: Do not leave on too long as this may cause damage to hood finish.** Use soft towel to wipe off the cleaning solution, gently rub off any stubborn spots. Use dry soft towel to dry the hood.
3. DO NOT allow deposits to accumulate or remain on the hood.
4. DO NOT use ordinary steel wool or steel brushes. Small bits of steel may adhere to the surface and cause rusting.
5. DO NOT allow salt solutions, disinfectants, bleaches, or cleaning compounds to remain in contact with stainless steel for extended periods. Many of these compounds contain chemicals, which may be harmful. Rinse with water after exposure and wipe dry with a clean lint free cloth.

To Clean or Replace Baffle Filter

CAUTION: DRAIN OIL FROM BAFFLE FILTERS BEFORE OIL CAN OVERFLOW.

Cleaning Indication:

1. The LCD display will indicate  when baffle filter needs cleaning.
2. Remove to clean the baffle filter. When facing the hood, turn knobs slightly to left to release. **CAUTION: DO NOT OVERTURN KNOBS.**
(To purchase replacement, please contact your local KOBE dealer or call 626-350-1355)

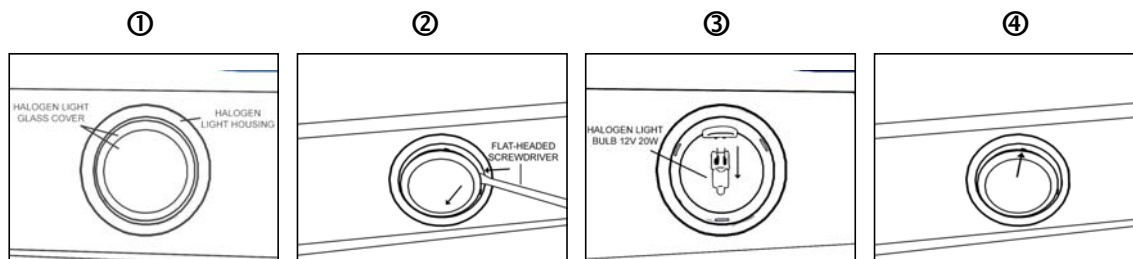
Cleaning Baffle Filter:

1. Remove all the baffle filters by turning the baffle filter knob slightly to left to release. **CAUTION: DO NOT OVERTURN KNOBS.**
2. Wash with warm soapy water. Dry completely before returning into place.
(*Note: Baffle Filters are top rack dishwasher safe.*)

To Replace Light Bulb

⚠ CAUTION: HALOGEN LIGHT UNIT MAY BE HOT! WAIT UNTIL UNIT IS COOL.

NOTE: DO NOT TOUCH HALOGEN LIGHT WITH BARE HANDS, WHICH MIGHT CAUSE OVER HEAT AND SHORTEN THE LIFE OF LIGHT BULBS.



1. Make sure all controls are OFF, and range hood is unplugged.
2. Place the flat-head screwdriver into the groove between the halogen light glass covering and the housing ①.
3. Gently separate glass covering from the housing ②.
4. Gently pull out the defective light bulb ③ and discard. Light bulbs should be 12V 20W maximum.
5. Wear a glove or use a cloth to hold the new light bulb and push securely into light socket. NOTE: DO NOT PUSH TOO HARD OR YOU MAY BREAK THE BULB CONNECTOR.
6. Put back halogen light glass cover ④.
7. Plug back power cord and turn on range hood to test for operation.

SPECIFICATIONS

BOX 1 OF 2 MODEL / SIZE	IS2436GSB / 36" IS2442GSB / 42"			
BOX 2 OF 2 MODEL / SIZE	IS124DC – Duct cover with blower unit			
COLOR	18-Gauge Commercial Grade Stainless Steel			
CONSUMPTION / AMPERE	240W / 2.0A			
VOLTAGE	120V 60Hz			
NUMBER OF MOTORS	1			
DESIGN	18-Gauge Seamless / Satin Finish			
FAN TYPE	Double Horizontal Squirrel Cage			
EXHAUST	Top 7" Round Damper			
CONTROLS	Touch Screen Multi Function LCD			
HALOGEN LIGHTS	12V 20W x 2			
OPTIONAL ACCESSORIES (SOLD SEPARATELY)	Recirculating Kit – Item No. RD-0124			
WEIGHT (lbs)		<u>Net</u>	<u>Gross</u>	
	(IS2436GSB)	40	51	
	(IS2442GSB)	46	58	
	(IS124DC)	55	73	
SPEED	QuietMode™	Low	Medium	High
Air Capacity (cfm)	300	480	540	600
Sone*	1.0*	2.8	4.5	4.8

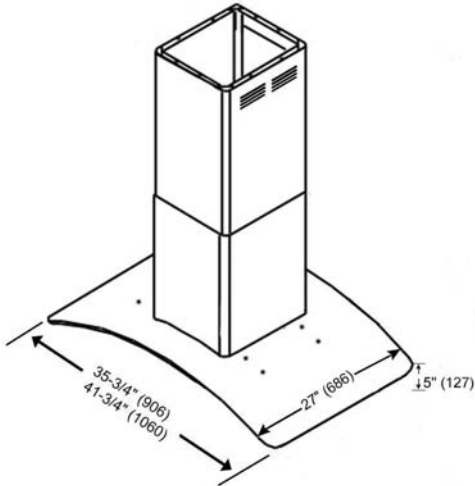
*One sone is equivalent to the sound of a refrigerator at 40 decibels.

Ceiling measurement is calculated with 30" minimum clearance height and 36" maximum clearance height.

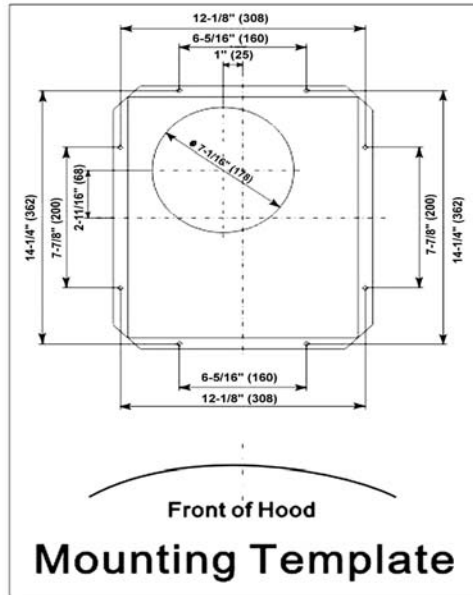
Specifications subject to change without notice.

MEASUREMENTS & DIAGRAMS

- ◆ All () measurements are in millimeter.
- ◆ All inch measurements are converted from millimeter. Inch measurements are estimated.

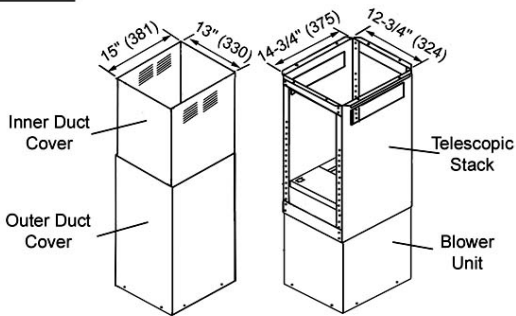


***Mounting Template



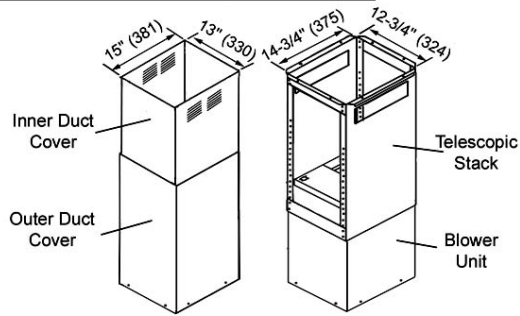
(Sold Separately)

IS124DC



Dimension: 26-1/2" (MIN.)
42-1/4" (MAX.)

IS124DC W/ RD-0124 (Recirculating)



Dimension: 29-1/4" (MIN.)
42-1/4" (MAX.)

PARTS LIST**MODEL NO.: IS2436GSB
IS2442GSB****(Box 1 of 2)**

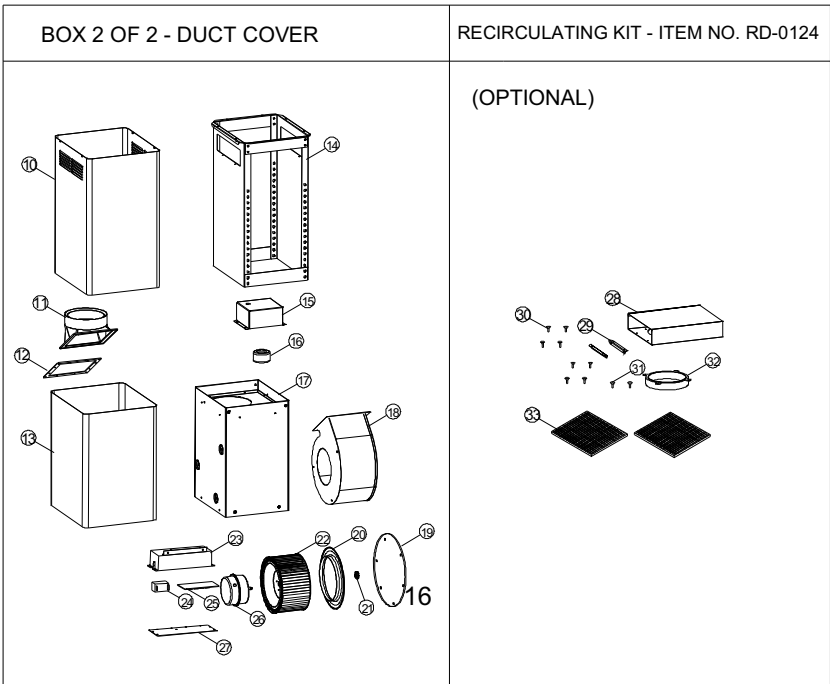
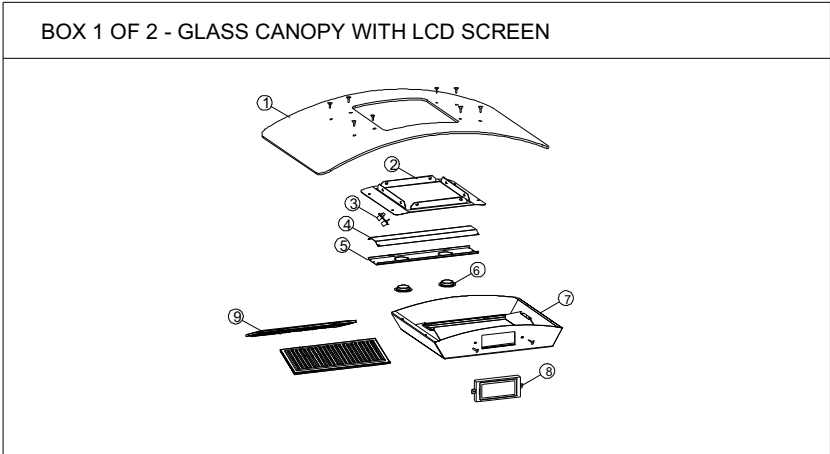
MODEL NO. IS2436GSB MODEL NO. IS2442GSB			
NO.	DESCRIPTION	MODEL	PART NO.
01	Glass Canopy	IS2436GSB	GC-0036-01
		IS2442GSB	GC-0042-01
02	Housing Connector		PH-0001-01
03	Sensor Control		PH-0002-01
04	Light Support Panel (Top)		PH-0003-01
05	Light Support Panel (Bottom)		PH-0003-02
06	Halogen Light		PH-0004-01
07	Hood Casing		PH-0005-01
08	LCD Screen		PH-0006-01
09	Baffle Filter	BF-0124	PH-0007-01

(Box 2 of 2)

MODEL NO. IS124DC			
NO.	DESCRIPTION	MODEL	PART NO.
10	Inner Duct Cover		PD-0001-01
11	7" Round Damper		PD-0002-01
12	Rubber Seal		PD-0002-02
13	Outer Duct Cover		PD-0001-02
14	Telescopic Stack		PD-0001-03
15	Transformer Box		PD-0001-04
16	Transformer		PD-0003-02
17	Motor Housing		PD-0003-05
18	Air Chamber		PD-0003-06
19	Air Flow Grill		PD-0003-11
20	Blower Cover		PD-0003-10
21	Locknut		PD-0003-09
22	Squirrel Cage		PD-0003-08
23	Power Board Box		PD-0003-01
24	Capacitor		PD-0003-04
25	Power Board		PD-0003-03
26	Motor		PD-0003-07
27	Power Board Box Cover		PD-0003-12

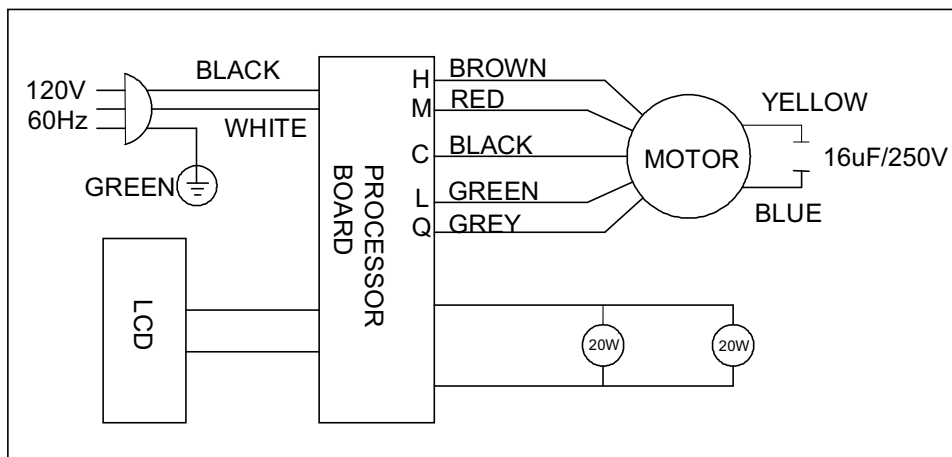
RECIRCULATING KIT – ITEM NO. RD-0124 (OPTIONAL)			
NO.	DESCRIPTION	MODEL	PART NO.
28	Box		RD-0004-03
29	Box Bracket		RD-0004-02
30	ST3X10		RD-0004-01
31	ST3X10		RD-0004-01
32	7" Round Adapter		RD-0005-01
33	Grease Filter		RD-0007-01

MODEL NO.: IS2436GSB
IS2442GSB



CIRCUIT DIAGRAM

MODEL NO.: IS2436GSB
IS2442GSB



TROUBLE SHOOTING

Issue	Possible Cause	Solution
After Installation, both motors and lights are not working.	The power is not on.	Make sure the circuit breaker and the unit's power is ON. Use a voltage meter to check the power supply.
	The wire connection is not secure.	Check and tighten wire connection.
	The control panel and processor board wiring are disconnected.	Check wire continuity from control panel to processor board.
	The motor transformer is defective.	Check the power input and power output on the motor transformer. If it's needed, replace the motor transformer.
	The control panel and processor board is defective.	Replace the control panel or processor board.
Lights are working, but motor(s) is not.	The motor(s) is defective.	Replace the motor.
	The capacitor(s) is defective.	Replace capacitor(s).
	The control panel or processor board is defective.	Replace the control panel or processing board.
The range hood is vibrating.	The blower system is not secure.	Tighten the turbine impeller/squirrel cage and air chamber.
	The turbine impeller/squirrel cage is not balanced.	Replace the turbine impeller/squirrel cage.
	Hood is not secured in place.	Check the installation of hood, tighten the mounting bracket.
The motor is working, but the lights are not working.	Halogen Light bulb(s) is defective.	Try placing the trouble light bulb(s) to a working socket, if the bulb(s) still doesn't work; replace the halogen light bulb(s).
	The light wiring(s) is loose.	Check wire continuity from processor board to light transformer to halogen light housing(s).
	Light transformer is defective.	Check power input and power output on the light transformer. If it's needed, replace the light transformer.
	The control panel or processor board is defective.	Replace the control panel or processing board.
The range hood is not venting out correctly.	The range hood is installed outside of the manufacture recommended clearance.	Adjust the clearance between the range hoods and cook top to 27" to 30". For Island range hood, the clearance between the range hoods and cook top is 30" to 36".
	There is no make-up air inside the house.	Open the window to enhance the performance of the range hood by creating a sufficient make-up air.
	Obstacle blocking the pipe work.	Remove all obstacles from the duct work.

	The pipe size is smaller than the suggested pipe size.	Change the ducting according to the manufacture suggestion.
Cold air is coming into the home.	The pipe connection is not properly sealed.	Check the pipe installation.
	The damper is not properly installed or is missing from the installation.	Check the damper installation.
	The damper is not installed.	By installing the damper, it will help to eliminate air backflow.

DISCLAIMER

1. **CAREFULLY INSPECT ALL ITEMS FOR DAMAGES BEFORE ACCEPTING DELIVERY. NOTE ANY DAMAGES ON THE FREIGHT BILL OR EXPRESS RECEIPT. REQUEST NAME AND SIGNATURE OF THE CARRIER'S AGENT AND KEEP COPY TO SUPPORT YOUR CLAIM.**
 Upon acceptance of items, owner assumes responsibility for its safe arrival. Report damages to the carrier and file a claim immediately. Failure to do so may result in the denial of your claim. The carrier will furnish you with necessary forms for filing a claim.
DAMAGES CAUSED DURING TRANSIT ARE NOT COVERED UNDER OUR WARRANTY.

2. **PLEASE INSPECT CONTENTS OF PACKAGE(S) CAREFULLY UPON RECEIVING!**
 We must be notified in writing of any damages and/or missing parts within the allocated days upon your receipt of package(s). Contact your local KOBE dealer or distributor or call KOBE for the time limit.
CLAIMS WILL NOT BE ACCEPTED AFTER THE ALLOCATED DAYS.
 NOTE: ITEMS WERE THOROUGHLY TESTED AND CAREFULLY PACKED IN OUR FACTORY BEFORE SHIPPING.

3. Products must be returned in good working condition with ALL original parts and documentation packed in ALL original cartons, fillers and shipping cartons. A restocking fee of 25% will be charged for all approved return(s).
EXCHANGES OR RETURNS MAY NOT BE ACCEPTED IF ANY PACKAGING IS MISSING.

4. **MAKE SURE TO INSPECT THE HOOD FOR DAMAGES AND DEFECTS BEFORE INSTALLATION.** Appearance flaws of the hood found after installation and not affecting hood performance is not covered under our warranty for returns or exchanges. Service visits not covered under warranty will carry a service charge.
 - A) Before Installation: Return for exchange or refund (please see above for acceptable returns).
 - B) After Installation: **NO** exchange or refund.

WARRANTY

WARRANTY CERTIFICATE

KOBE Range Hoods, Inc. warrants all products manufactured or supplied by it to be free from defects in workmanship and materials. Its obligations pursuant to this warranty are limited to a period of two years from the date of purchase and to the repair or replacement at its option and subject to the terms and conditions stated below, of any component part, which its examination shall disclose to be so defective.

TWO-YEAR WARRANTY SERVICE PERIOD

Any covered failure occurring within two years of original purchase arising from defective workmanship or material in manufacture will be repaired (or at our discretion, replaced) free of charge by an authorized KOBE Range Hoods Agent or KOBE Range Hoods as applicable. Keep proof of purchase (or original invoice) handy for inspection.

If the range hood is sold by the original purchaser during the warranty period the new owner is protected until expiration of the original purchaser's warranty.

CONDITIONS

The following conditions apply only in relation to the warranty expressly given in this certificate.

- 1) This warranty applies only:
 - a) within U.S.A. and Canada.
 - b) to range hoods used for PRIVATE SINGLE FAMILY USE (if used for COMMERCIAL or MULTIPLE FAMILY USE or other purposes, warranty will be voided).
- 2) Repair of any fault to be provided under this warranty shall not be provided:
 - a) if the identification number attached to the range hood has been altered, rendered illegible or removed;
 - b) if notice of the defect has not been given within the period applicable;
 - c) for failure of light bulbs or heat lamps;
 - d) for physical damage;
 - e) for surfaces damaged by use of improper chemical cleaning agents;
 - f) if the appliance has been:

- i) subject to misuse, abuse, negligence, accident, incorrect installation or failure to follow the operating instructions;
 - ii) connected to improper, inadequate or faulty electricity service or exhaust ducts, flues or duct cover, or operated using incorrect or contaminated lubricants;
 - iii) installed, maintained or operated otherwise than in accordance with the instructions furnished by KOBE Range Hoods including the improper use of detergents, bleaches, or cleaners.
- g) for damage to range hood during transit, delivery, installation or removal;
 - h) for damage by or resulting from attempted repairs conducted by anyone other than our Authorized Service Agent.
 - i) noise or vibration caused by improper installation of range hood and/or damper.
- 3) The purchaser shall be responsible for any expenses involved in making the range hood readily accessible for servicing and where the range hood is installed outside the main sales territory of the retailer or service territory of the nearest approved KOBE Range Hoods Agent as applicable, for any traveling expenses and any costs of transporting the range hood or parts thereof to and from the dealer or Service Agent
 - 4) The purchaser must produce proof of purchase together with this warranty certificate when making the claim.
 - 5) Damages caused during shipment are not covered under our warranty.

CONSEQUENTIAL DAMAGE

The warrantor is not responsible for any consequential damage. SOME STATES DO NOT ALLOW THE EXCLUSION OF CONSEQUENTIAL DAMAGE SO THE ABOVE EXCLUSION MAY NOT APPLY TO YOU.

IMPLIED WARRANTIES/STATE LAW

Any implied warranties, including the implied warranty of merchantability and fitness for purpose, imposed on the sale by the laws of the state of sale are limited to two year from the date of original purchase. Some states do not allow limitations on the duration of implied warranties. This warranty gives you specific legal rights, and may also have rights, which vary from state to state.

SERVICE

For service contact:

KOBE Range Hoods
11775 Clark Street
Arcadia, CA 91006
U.S.A.
Tel: (626) 775-8880
Email: customer.service@KOBERangeHoods.com
Website: www.KOBERangeHoods.com

PRODUCT REGISTRATION

Register Your Product!

Any covered failure occurring within two years of original purchase arising from defective workmanship or material in manufacture will be repaired or at our option the unit will be replaced free of charge by an authorized KOBE Range Hoods Agent or KOBE Range Hoods as applicable. Keep proof of purchase (original invoice) handy for inspection.

If the range hood is sold by the original purchaser during the warranty period the new owner is protected until expiration of the original purchaser's warranty. See warranty section for complete warranty coverage information.

This appliance has been manufactured, tested, and inspected to the standards required by KOBE Range Hoods.

PLEASE MAIL IN YOUR WARRANTY REGISTRATION CARD AND PROOF OF PURCHASE TO:

KOBE Range Hoods
Warranty Registration
11775 Clark Street
Arcadia, CA 91006
U.S.A.

RECORD THE FOLLOWING INFORMATION FOR YOUR RECORD:

Model No. _____

Serial No. _____

Purchased Date ____ / ____ / ____

Purchased From:

IMPORTANT: PLEASE KEEP A COPY OF YOUR SALE RECEIPT OR INVOICE HANDY WHEN REQUESTING SERVICE.

KOBE[®]

KOBE Range Hoods
11775 Clark Street
Arcadia, CA 91006, U.S.A.

<http://www.KOBERangeHoods.com>

This KOBE hood is made for use in the USA and CANADA only. We do not recommend using this hood overseas as the power supply may not be compatible and may violate the electrical code of that country. **Using a KOBE hood overseas is at your own risk and will void your warranty.**

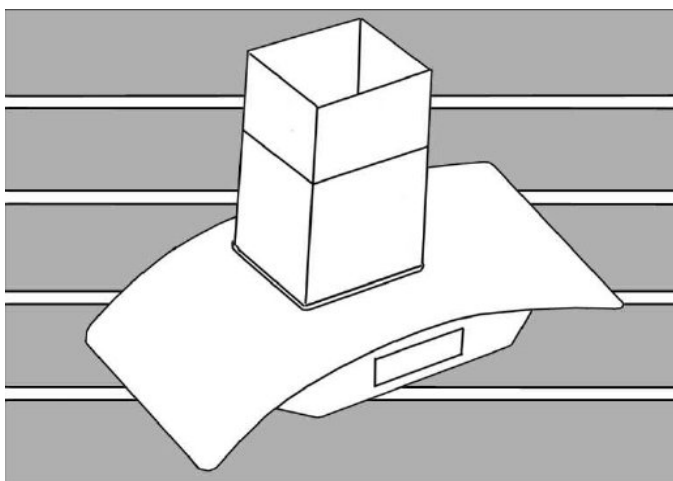
Information subject to change without notice.

VER.091209

KOBE HOTTE DE CUISINIÈRE KOBE

**Modèles IS2436GSB
IS2442GSB**

**SÉRIE IS-124
HOTTE ÎLOT EN VERRE
AVEC ÉCRAN ACL (à cristaux liquides)**



**NOTICE D'INSTALLATION
ET MODE D'EMPLOI**

LIRE ET CONSERVER CES INSTRUCTIONS

TABLE DES MATIÈRES

CONSIGNES DE SÉCURITÉ IMPORTANTES	27
CONTENU DE L'EMBALLAGE	29
INSTALLATION	30
MODE D'EMPLOI	34
ENTRETIEN PRÉVENTIF	37
SPÉCIFICATIONS	39
MESURES ET SCHÉMAS	40
LISTE DES PIÈCES	41
SCHEMA DE CABLAGE	44
TROUBLE SHOOTING	45
AVIS DE NON-RESPONSABILITÉ	46
GARANTIE	47
ENREGISTREMENT DE VOTRE PRODUIT	47

LIRE ATTENTIVEMENT TOUTES LES CONSIGNES AVANT DE COMMENCER

*TOUT LE CÂBLAGE ÉLECTRIQUE DOIT ÊTRE EFFECTUÉ
PAR UN PROFESSIONNEL EN CONFORMITÉ
AVEC LES CODES D'ÉLECTRICITÉ
LOCAUX ET NATIONAUX*



CONSIGNES DE SÉCURITÉ IMPORTANTES

SVP LIRE CETTE SECTION ATTENTIVEMENT AVANT L'INSTALLATION

⚠ AVERTISSEMENT – AFIN DE RÉDUIRE LES RISQUES D'INCENDIE, DE CHOC ÉLECTRIQUE ET DE BLESSURES, RESPECTER LES CONSIGNES SUIVANTES :

1. L'installation et le câblage électrique doivent être effectués par des techniciens qualifiés et en conformité avec tous les codes et toutes les normes qui s'appliquent même pour les constructions ignifugées.
2. Lorsque vous découpez ou percez un mur ou un plafond, prendre soin de ne pas endommager le filage électrique ou autres conduits cachés.
3. Les hottes à évacuation doivent être évacuées à l'extérieur.
 - a) Avant une réparation, un entretien préventif ou un nettoyage, ouvrir le panneau de la lumière et **COUPER LE COURANT ÉLECTRIQUE SUR LE TABLEAU DE DISTRIBUTION**.
 - b) Nettoyer le ventilateur, le filtre optionnel et les surfaces chargées de graisse fréquemment. Afin de réduire les risques d'incendie et afin de disperser l'air adéquatement, évacuer l'air à l'extérieur. **NE PAS** ventiler l'air d'évacuation dans les murs, les greniers, les vides sanitaires ou les garages.

NOTE:

- La garantie de cet appareil sera nulle sans le reçu d'un distributeur autorisé de KOBE® ou si l'appareil est endommagé par une utilisation inadéquate, une installation déficiente, un usage inapproprié, un mauvais traitement, de la négligence ou par toute autre circonstance échappant au contrôle des distributeurs autorisés de KOBE®. Toute réparation effectuée sans la supervision d'un agent autorisé de KOBE® annulera automatiquement la garantie.
- KOBE® se dégage de toute responsabilité face à des dommages à la propriété personnelle ou aux biens immeubles ou encore à des blessures corporelles causées directement ou indirectement par la hotte de cuisinière.

⚠ AVERTISSEMENT – AFIN DE RÉDUIRE LES RISQUES DE BLESSURES CORPORELLES DANS L'ÉVENTUALITÉ D'UN INCENDIE DE GRAISSE SE DÉCLARANT SOUS LA HOTTE DE CUISINIÈRE :

- Tenir toujours propres le ventilateur, les filtres déflecteurs, s'il y en a, et les surfaces chargées de graisse.
- Toujours faire fonctionner la hotte lors d'une cuisson à température élevée.
- Utiliser les vitesses élevées de la hotte **UNIQUEMENT** lorsque nécessaire. Chauffer l'huile lentement aux réglages de basse ou de moyenne vitesses.
- Ne pas laisser la cuisinière sans surveillance lors de la cuisson.
- Toujours utiliser les articles de cuisson et les ustensiles appropriés au type et à la quantité d'aliments préparés.
- Utiliser l'appareil seulement pour l'usage auquel le fabricant l'a destiné.
- Avant l'entretien courant, couper l'alimentation électrique au tableau de distribution principal et verrouiller ce dernier (si possible) pour éviter une mise en marche accidentelle.
- Nettoyer les ventilateurs fréquemment. La graisse ne doit pas s'accumuler sur les ventilateurs et les déflecteurs.

Que faire en cas d'un incendie de graisse sur la cuisinière

- **ÉTOUFFER LES FLAMMES** à l'aide d'un couvercle hermétique, une plaque à biscuits ou un plateau métallique, puis fermer le rond ou le brûleur. **GARDER LES MATÉRIAUX INFLAMMABLES OU COMBUSTIBLES LOIN DES FLAMMES.** Si les flammes ne s'éteignent pas immédiatement, **ÉVACUER LA ZONE ET APPELER LE SERVICE D'INCENDIE ou le 911.**
- **NE JAMAIS SOULEVER UNE CASSEROLE EN FEU** - Il y a risque de brûlure.
- **NE PAS UTILISER D'EAU** incluant serviettes ou linges à vaisselle mouillés - cela provoquerait un violent jet de vapeur.
- Utiliser un extincteur **SEULEMENT** si:
 - a) vous possédez un extincteur de classe A, B ou C et si vous savez vous en servir ;
 - b) le feu est petit et est contenu dans la zone de départ ;
 - c) vous avez appelé le service d'incendie ;
 - d) vous pouvez combattre le feu le dos près d'une sortie.

Que faire si une odeur de gaz se dégage

- Éteindre toute flamme nue.
- Ne pas essayer d'allumer des lumières ou tout type d'appareil électroménager.
- Ouvrir toutes les portes et fenêtres afin de chasser le gaz. Si une odeur de gaz est toujours perceptible, appeler votre fournisseur de gaz ainsi que le service d'incendie immédiatement.

⚠ ATTENTION

- 1) Cette hotte doit être utilisée uniquement pour une ventilation normale. Ne pas s'en servir pour évacuer des substances et vapeurs dangereuses ou explosives.
- 2) Afin de réduire les risques d'incendie, employer seulement des conduits de métal. Il doit y avoir suffisamment d'air pour une combustion et une évacuation des gaz appropriées par le conduit de fumée (cheminée) afin d'éviter le refoulement d'air.
- 3) Suivre les directives et les consignes de sécurité des fabricants d'équipement de chauffage comme celles publiées par le *National Fire Protection Association (NFPA)* et l'*American Society for Heating, Refrigeration and Air Conditioning Engineers (ASHRAE)* de même que les codes en vigueur.
- 4) L'activation de tout interrupteur peut provoquer l'allumage ou une explosion.
- 5) En raison de la taille et du poids de la hotte, il est recommandé que deux personnes participent à l'installation.

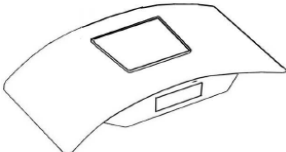
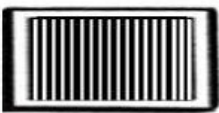
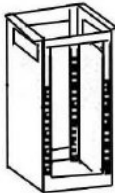
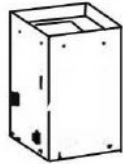

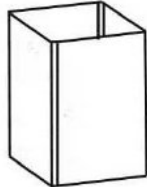
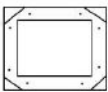




⚠ AVERTISSEMENT



RISQUE DE CHOC ÉLECTRIQUE - Pouvant entraîner la mort ou des blessures graves. Couper l'alimentation électrique à l'appareil avant tout entretien ou toute réparation. Si la hotte est munie d'une ampoule fluorescente, cette dernière contient une petite quantité de mercure et, en conséquence, elle doit être recyclée ou éliminée conformément aux codes locaux, provinciaux et fédéraux qui s'appliquent

CONTENU DE L'EMBALLAGE

**POUR TOUT RETOUR OU REMBOURSEMENT
CONSERVER TOUT LE MATÉRIEL AINSI QUE L'EMBALLAGE D'ORIGINE**

<p>BOÎTE 1 DE 2</p> <p>Modèle IS2436GSB</p> <p>Modèle IS2442GSB</p> <ol style="list-style-type: none"> Hotte en verre avec écran ACL - 1 Fiche d'enregistrement à la garantie - 1 Notice d'installation et mode d'emploi - 1 Filtre déflecteur - 2   <ul style="list-style-type: none"> fixer à la hotte 	<ol style="list-style-type: none"> Conduit télescopique - 1 Ventilateur - 1 Couvre-conduit intérieur - 1 Couvre-conduit extérieur - 1 Patron de montage - 1 Registre rond de 7 po - 1 Ensemble de vis - 1       <p>* Attached to Blower Unit</p>  <p>* fixer au bloc de ventilation</p> <p>12 vis M 5 x 154 vis TS 3 x 15</p>
<p>BOÎTE 2 DE 2</p> <p>Modèle IS124DC</p>  	

♦ Une **trousse de recirculation** est offerte en option. Pour de plus amples renseignements, vous adresser à KOBE RANGE HOODS au (626) 775-8880.

Deleted: ¶

INSTALLATION

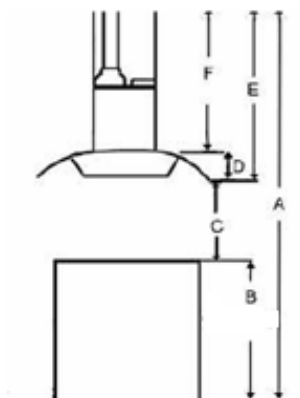
SVP LIRE AU COMPLET AVANT L'INSTALLATION

Mesures à prendre avant l'installation

Calculer la longueur de l'installation à l'aide du Tableau 1 qui suit.
(Toutes les mesures sont données en pouces).

TABLEAU 1

- A = Hauteur entre le plancher et le plafond
- B = Hauteur entre le plancher et le plan de travail
(hauteur standard: 36 po)
- C = Hauteur désirée entre le plan de travail et le dessous de la hotte
(dégagement recommandé: de 30 à 36 po)
- D = Hauteur de la hotte
- E = Hauteur de l'installation de la hotte
[A - (B+C)]
- F = Hauteur du couvre-conduit
[E - D]



⚠️ CONSIGNES DE SÉCURITÉ

LES HOTTES PEUVENT AVOIR DES BORDS TRÈS TRANCHANTS ; PORTER DES GANTS DE PROTECTION SI NÉCESSAIRE POUR RETIRER DES PIÈCES LORS DE L'INSTALLATION, DU NETTOYAGE, DE L'ENTRETIEN ET DES RÉPARATIONS.

NOTE : ÊTRE PRUDENT EN UTILISANT UN TOURNEVIS ÉLECTRIQUE POUR ÉVITER D'ENDOMMAGER LA HOTTE.

Préparation avant l'installation

NOTE: AFIN DE PRÉVENIR TOUT DOMMAGE À LA HOTTE, IL FAUT EMPÊCHER LES DÉBRIS DE PÉNÉTRER DANS L'OUVERTURE DE VENTILATION.

- Choisir l'emplacement du conduit de ventilation de la hotte vers l'extérieur. Voir photo 1.
- Un conduit court et droit permet de maximiser le rendement de la hotte.
- Essayer d'éviter autant que possible les raccords, les coudes et les longues sections de conduit puisque ceux-ci peuvent réduire le rendement de la hotte.
- Brancher la hotte temporairement afin d'en vérifier le bon fonctionnement avant de l'installer. Voir photo 6 à la page 31.
- Important : enlever toute pellicule protectrice de la hotte.
- Utiliser du ruban adhésif entoilé d'aluminium pour rendre les raccords sécuritaires et hermétiques.

Planification avant l'installation

1. Marquer les repères de centre de la plaque de cuisson ou de la cuisinière sur le plafond au-dessus. Se servir des repères de centre indiqués au plafond pour positionner le patron de montage comme illustré à la photo 2.
2. Retirer et conserver le patron. Couper et retirer le placoplâtre du plafond. Installer deux morceaux de bois 2 po x 4 po (non fournis) entre les solives de plafond. Vous référer à la Figure 3.
3. Finir la surface de plafond. S'assurer de marquer l'emplacement des solives de plafond et des morceaux de bois ou remettre en place le patron de montage dans la position des solives de plafond et des morceaux de bois.
4. Fixer le conduit télescopique au plafond et le rattacher solidement aux solives et au cadre de bois à l'aide de 8 vis (non fournies). S'assurer que les vis pénètrent bien au centre des solives et des morceaux de bois pour offrir un soutien maximal.
5. Alignez le patron de montage sur les marques de plafond et le fixer en place avec du ruban adhésif. Coupez le conduit 7-1/4" ouvert et un trou de 1" de diamètre pour l'accès des fils. Percez les trous pour les 8 vis de support comme indiqué sur le patron.

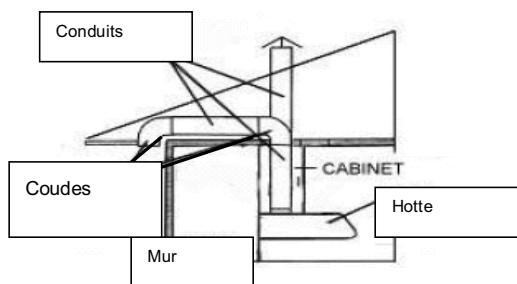


Photo 1

GABARIT DE MONTAGE

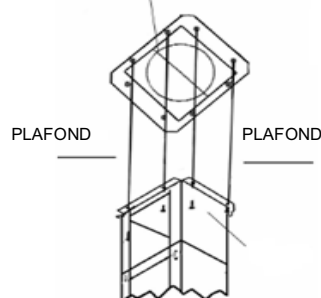


Photo 2

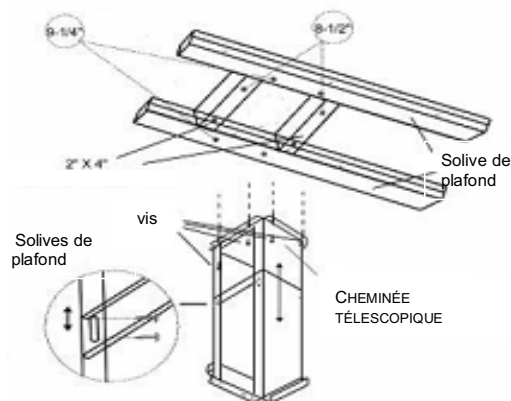


Photo 3

Installation conduit télescopique

- Fixer le conduit télescopique au plafond et le rattacher solidement aux solives et au cadre de bois à l'aide de 8 vis (non fournies). S'assurer que les vis pénètrent bien au centre des solives et des morceaux de bois pour offrir un soutien maximal.
- Régler le conduit télescopique à l'aide de la référence F du Tableau 1 et des mesures à la page 39. Fixer l'unité au conduit télescopique avec les quatre (M5 X 15) vis (fournies) suivant les indications du schéma 4.

Branchement à la source d'alimentation électrique



CONSIGNE DE SÉCURITÉ

RISQUE DE CHOC ÉLECTRIQUE. CETTE HOTTE DE CUISINIÈRE DOIT ÊTRE MISE À LA TERRE ADÉQUATEMENT. CE TRAVAIL DOIT ÊTRE EXÉCUTÉ PAR UN ÉLECTRICIEN PROFESSIONNEL EN CONFORMITÉ AVEC TOUTS LES CODES D'ÉLECTRICITÉ LOCAUX ET NATIONAUX QUI S'APPLIQUENT. AVANT DE BRANCHER DES FILS, COUPER LE COURANT ÉLECTRIQUE AU TABLEAU DE DISTRIBUTION PRINCIPAL ET VERROUILLER CE DERNIER POUR ÉVITER QUE LE COURANT SOIT REMIS ACCIDENTELLEMENT.

- Conduisez le câblage de maison dans le plafond aussi près que possible de l'endroit d'installation. Laissez les longueurs additionnelles tomber du plafond à la boîte électrique.
- Raccorder les trois fils (noir, blanc et vert) aux fils de la maison et les couvrir avec des capuchons de connexion. Raccorder les fils selon la couleur : noir avec noir, blanc avec blanc et vert avec vert. Le vert doit être mis à la terre pour empêcher les chocs électriques. Voir photo 5.

Installation de la canalisation

- Utiliser un tuyau d'aluminium ou d'acier de 7 po (non fourni) pour raccorder le registre rond de 7 po au réseau de conduits au-dessus. Note : placer le tuyau de 7" sur le registre rond de 7". Utiliser du ruban adhésif entoilé d'aluminium pour rendre les raccords sécuritaires et hermétiques. Assurez-vous que les clapets du registre peuvent se fermer et s'ouvrir librement. Voir photo 6.

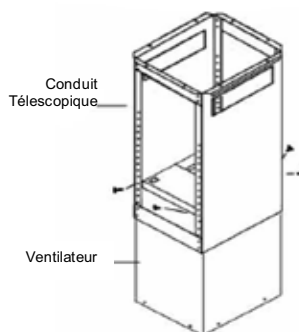


Photo 4

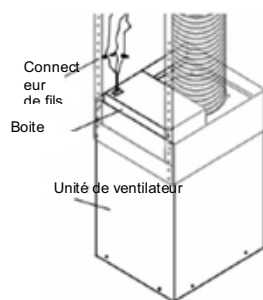


Photo 5

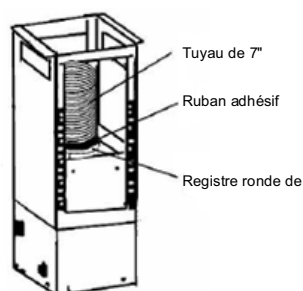


Photo 6

Installation du couvre-conduit

11. Faire glisser le couvre-conduit intérieur vers le haut et le fixer solidement au conduit télescopique à l'aide de 4 vis TS 3x15 (fournies). Voir photo 7.
12. Avec l'aide d'une autre personne, faire glisser le couvre-conduit extérieur jusqu'au bloc de ventilation et demander à votre aide de le tenir jusqu'à ce que l'étape 12 soit effectuée.
13. Fixer la hotte en verre avec écran ACL en-dessous du bloc de ventilation. S'assurer que le bloc de ventilation est bien à l'intérieur du raccord de caisson. Vous référer à la liste des pièces aux pages 39 pour le nom des pièces.
14. Fixer solidement le raccord de caisson au bloc de ventilation à l'aide de 8 vis M5x10 (fournies) comme illustré à la photo 8.
15. Demandez de l'aide pour glisser le couvre conduit externe vers le bas pour ce dernier vienne s'appuyer à l'intérieur des rainures du couvercle en verre.

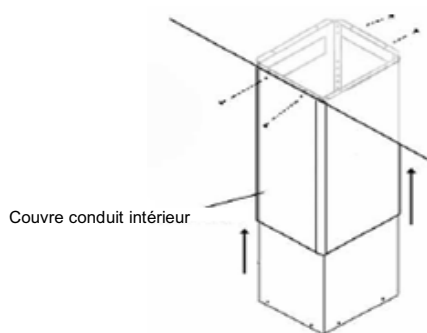


Photo 7

Raccordement à l'écran ACL

⚠ CONSIGNE DE SÉCURITÉ

RISQUE DE CHOC ÉLECTRIQUE. CETTE HOTTE DE CUISINIÈRE DOIT ÊTRE MISE À LA TERRE ADÉQUATEMENT. CE TRAVAIL DOIT ÊTRE EXÉCUTÉ PAR UN ÉLECTRICIEN PROFESSIONNEL EN CONFORMITÉ AVEC TOUS LES CODES D'ÉLECTRICITÉ LOCAUX ET NATIONAUX QUI S'APPLIQUENT. AVANT DE BRANCHER DES FILS, COUPER LE COURANT ÉLECTRIQUE AU TABLEAU DE DISTRIBUTION PRINCIPAL ET VERROUILLER CE DERNIER POUR ÉVITER QUE LE COURANT SOIT REMIS ACCIDENTELLEMENT.

16. Retirer le filtre déflecteur (à chicane) avant (directement derrière l'écran ACL). Face à l'écran ACL tourner le bouton légèrement vers la gauche pour libérer le filtre. **ATTENTION DE NE PAS TROP TOURNER LES BOUTONS.**
17. Raccorder les fils selon la couleur au bloc de ventilation.
18. Remettre en place le filtre déflecteur. (filtre à chicane)'

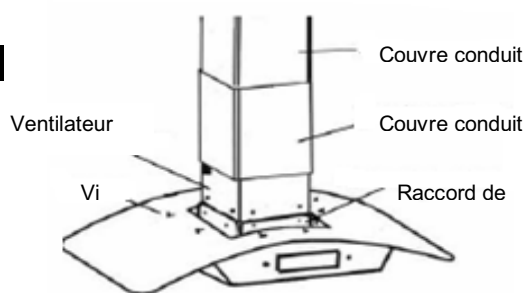


Photo 8

Assemblage final

19. Démarrer la hotte par la commande marche/arrêt (ON/OFF). Vérifier le fonctionnement de toutes les lampes et du ventilateur
20. Remettre ce manuel au propriétaire pour consultation future.

MODE D'EMPLOI

AFFICHAGE ACL

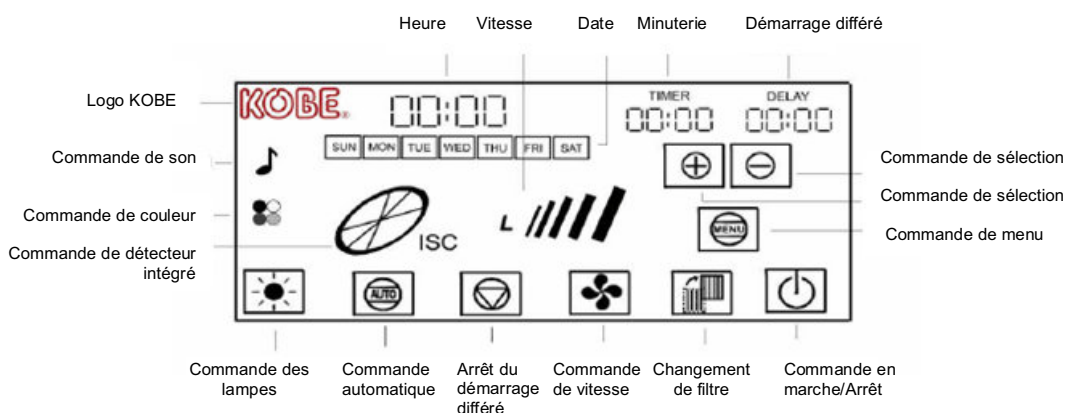


Photo 9


APPUYER SUR  POUR METTRE EN MARCHÉ OU ARRÊTER LA HOTTE

(Lorsque l'unité est en marche l'écran ACL s'Allumera jusqu'à ce que l'appareil soit arrêté. L'écran ACL demeurera allumé pour quelques secondes même après que l'appareil soit fermé.)



RÉGLAGE DE BASE

(L'option du menu s'effacera automatiquement après 10 secondes s'il n'y a aucun réglage.)


- **Réglage de l'heure**

1. Appuyer sur 

2. Appuyer sur  ou  pour sélectionner l'heure du jour par hh:mm (heure:mois).

(Choisir  pour A.M. ou  pour P.M.)




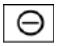
- **Réglage de la date**

1. Appuyer sur  jusqu'à ce que le jour choisi dignote.



 SUN MON TUE WED THU FRI SAT

2. Appuyer sur  ou  pour sélectionner la date du jour.

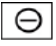

- **Réglage de la couleur de fond**

1. Appuyer sur  jusqu'à ce que  clignote.
2. Appuyer sur  ou  pour sélectionner la couleur (violet, bleu pâle, vert).

- **Réglage de la tonalité (son)**


1. Appuyer sur  jusqu'à ce que  clignote.
2. Appuyer sur  pour sélectionner la tonalité.


OU

Appuyer sur  pour enlever la tonalité.
(Lorsque  apparaît, la tonalité du pavé numérique est en fonction.)





MISE EN MARCHÉ DE LA HOTTE

- **Mise en marche/arrêt du ventilateur**

1. Appuyer sur  pour mettre en marche le ventilateur.


(Chaque pression sur  fera passer le ventilateur à la vitesse suivante (basse, moyenne, élevée et *QuietMode*TM.)

L'écran indiquera:

L  = mode *QuietMode*TM
M  = vitesse basse
H  = vitesse moyenne
Q  = vitesse élevée


2. Appuyer une fois sur , le ventilateur démarrera dans un délai de 3 minutes.

OU

Appuyer deux fois sur  et le ventilateur s'arrêtera immédiatement.

- **Mise en marche du détecteur intégré**


1. Appuyer sur  pour mettre en marche le détecteur intégré.

( :L'icône ISC indiquera que le détecteur intégré est en fonction. Lorsque des émanations de gaz, de la fumée ou des températures ambiantes plus élevées que la normale sont détectées, le ventilateur se met en marche automatiquement. Le ventilateur tournera à la vitesse la plus élevée en décroissant jusqu'à ce que toutes les émanations de gaz ou la fumée soient éliminées.)

2. Appuyer sur  pour fermer le détecteur intégré.

- **Mise en marche des lampes**

(La commande des lampes est distincte de celle de marche/arrêt. Même si le ventilateur n'est plus en marche les lampes ne s'éteignent pas.)


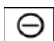
1. Appuyer sur  pour allumer les lampes halogènes.

(Chaque pression sur  diminuera l'intensité des lampes.)


- **Réglage du mode différé**

1. Appuyer sur  jusqu'à ce que  clignote.



2. Régler le temps pour l'arrêt du démarrage différé en mm:ss (minutes:secondes)


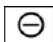
en appuyant sur la commande de sélection  ou .


(Le ventilateur s'arrêtera automatiquement lorsque le décompte atteindra 00:00.)

3. Pour amorcer l'arrêt différé, appuyer sur  (Si vous appuyez sur l'option MENU alors que le ventilateur est en mode différé, le décompte sera provisoirement suspendu.)

- **Réglage de la minuterie**

1. Appuyer sur  jusqu'à ce que  clignote.

2. Régler le temps voulu de la minuterie en mm:ss (minutes:secondes) en appuyant sur la commande de sélection  ou .

3. Appuyer sur  pour lancer la minuterie. (Un signal sonore sera émis lorsque le temps de la minuterie sera écoulé.)

ENTRETIEN PRÉVENTIF

Pour favoriser un rendement optimal, nettoyer régulièrement les surfaces de la hotte et les filtres déflecteurs.

Nettoyage des surfaces de la hotte

AVERTISSEMENT: NE JAMAIS EMPLOYER DE NETTOYANTS ABRASIFS, DE LAINES À RÉCURER OU DE TISSUS ABRASIFS.


*** Un entretien fréquent aidera à conserver une belle apparence à la hotte.

1. Utiliser seulement du savon doux ou du détergent. Sécher les surfaces avec un chiffon doux.
2. Si la hotte est tachée (hotte en acier inoxydable), utiliser un nettoyant à base d'agrumes pour nettoyer les surfaces. Éviter de mettre du nettoyant sur les boutons de commande. Étendre une petite quantité sur les surfaces et laisser reposer quelques minutes (ne pas laisser trop longtemps car cela pourrait endommager le fini de la hotte). À l'aide d'un chiffon doux, enlever la solution nettoyante et frotter doucement les taches rebelles. Utiliser un chiffon légèrement humide pour enlever tout résidu de solution nettoyante. Sécher la hotte avec un chiffon doux.
3. Pour redonner du brillant au fini en acier inoxydable, utiliser un nettoyant pour acier inoxydable.
4. **NE PAS** laisser les dépôts s'accumuler durant de longues périodes de temps.
5. **NE PAS** utiliser de laines ou de brosses à récurer ordinaires. Des particules d'acier peuvent adhérer à la surface et la faire rouiller.
6. **NE PAS** permettre à des solutions salines, des désinfectants, des javellisants ou des agents nettoyants de rester en contact avec l'acier inoxydable durant de longues périodes. Plusieurs de ces nettoyants contiennent des produits chimiques pouvant causer du tort à l'acier inoxydable. Après tout contact de ce type, rincer à l'eau et essuyer avec un chiffon doux.

Nettoyage et remplacement des filtres déflecteurs

AVERTISSEMENT: VIDER LES FILTRES DÉFLECTEURS AVANT QU'IL N'Y AIT TROP D'ACCUMULATION DE GRAISSE.

Indication de nettoyage ou de remplacement:

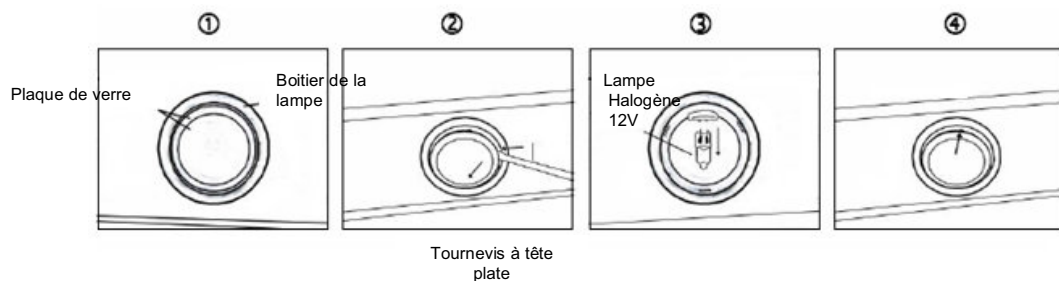
1. L'affichage ACL indiquera  lorsque le filtre déflecteur devra être nettoyé ou remplacé.
2. Retirer le filtre déflecteur. Nettoyer ou remplacer le filtre déflecteur.
(Pour acheter des filtres de remplacement, prendre contact avec le détaillant KOBE le plus près de chez vous ou appeler au (626) 350-1355)

Nettoyage des filtres déflecteurs:

1. Enlever tous les filtres déflecteurs en tournant la poignée à l'inverse des aiguilles d'une montre.
2. Laver dans une eau chaude savonneuse. Sécher entièrement avant de remettre en place. (*Note: les filtres déflecteurs se lavent en toute sécurité dans le haut du lave-vaisselle.*)

Remplacement d'une ampoule

AVERTISSEMENT: LA LAMPE HALOGÈNE PEUT ÊTRE BRÛLANTE! ATTENDRE QU'ELLE SE REFROIDISSE.



1. S'assurer que toutes les commandes sont en mode ARRÊT et que la hotte de cuisinière est débranchée.
2. Glisser le tournevis à tête plate dans l'espace entre la plaque de verre et le boîtier de la lampe.
3. Retirer la plaque de verre.
4. En douceur, tirer sur l'ampoule défectueuse pour l'enlever et la jeter. Les ampoules à utiliser doivent être de 12 V et de 20 W au maximum.
5. À l'aide d'un linge, tenir la nouvelle ampoule et la pousser fermement dans la douille.
6. Remettre la plaque de verre par-dessus le boîtier.
7. Brancher la hotte de cuisinière pour en vérifier le fonctionnement.

SPÉCIFICATIONS

BOÎTE 1 DE 2	
MODÈLE / FORMAT	IS2436GSB - 36 po IS2442GSB - 42 po
BOÎTE 2 DE 2	IS124DC - Couvre-conduit avec ventilateur pour plafond de 8 pi à 10 pi
COULEUR	Acier inoxydable de qualité commerciale n° 304
CONSOMMATION/AMPÈRE	240 W - 2,0 A
VOLTAGE	120 V - 60 Hz
NOMBRE DE MOTEURS	1
DESIGN	Fini satiné sans joints de calibre 18
TYPE DE VENTILATEUR	Centrifuge à pales (cage d'écureuil)
ÉVACUATION	Registre rond vertical de 7 po
COMMANDES	Écran tactile multifonction à affichage ACL
LAMPES HALOGÈNES	2 ampoules 12 V, 20 W
ACCESSOIRES EN OPTION	Trousse de recirculation - n° d'article RD-0124

		<u>Net</u>	<u>Brut</u>	
POIDS (lb)	IS2436GSB	40	55	
	IS2442GSB	46	62	
	IS124DC	57	77	
VITESSE	Quiet Mode™	Basse	Moyenne	Élevée
Capacité d'air (cfm)	300	480	540	600
Sone*	1.0*	2.8	4.5	4.8

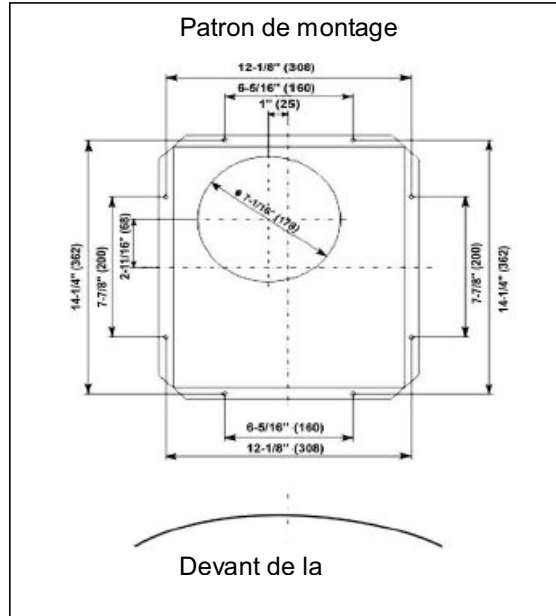
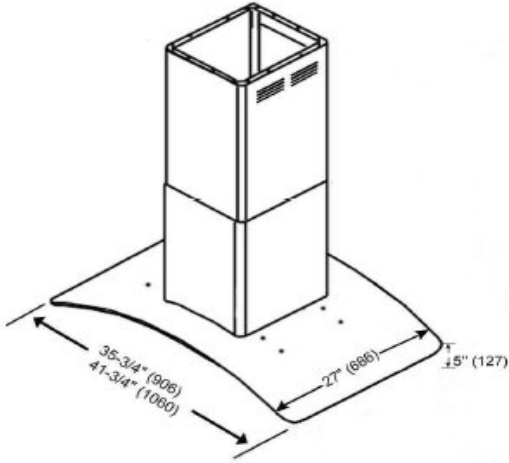
*Un sone équivaut au son d'un réfrigérateur à 40 décibels.

Les mesures du plafond sont calculées avec, en hauteur, un dégagement minimal de 30 po et un dégagement maximal de 36 po.

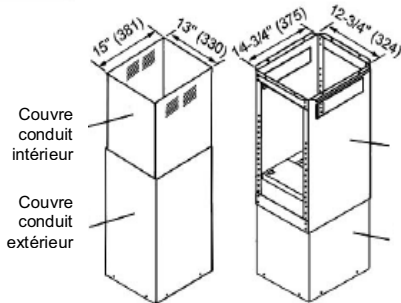
Les spécifications sont sujettes à changement sans préavis.

MESURES ET SCHÉMAS

- Toutes les mesures entre parenthèses sont en millimètres.
- Toutes les mesures en pouces sont converties à partir de millimètres. Les mesures en pouces sont estimées.



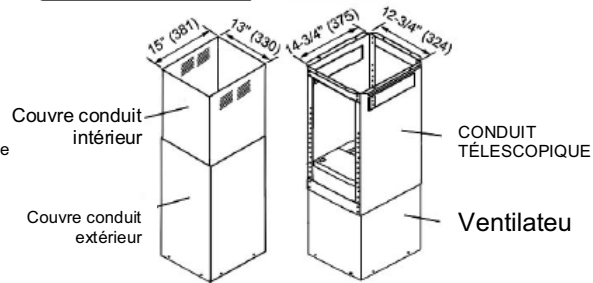
IS124DC



Dimension: 26-1/2" (MIN.)
42-1/4" (MAX.)

Système de recirculation (Vendu séparément)

IS124DC W/ RD-0124



Dimension: 29-1/4" (MIN.)
42-1/4" (MAX.)

LISTE DES PIÈCES

**Modèles: IS2436GSB
IS2442GSB**

BOÎTE 1 DE 2

N° de modèle IS2436GSB N° de modèle IS2442GSB			
N°	DESCRIPTION	MODÈLE	N° DE PIÈCE
1	Couvercle en verre	IS2436GSB IS2442GSB	GC-0036-01 GC-0042-01
2	Raccord de caisson		PH-0001-01
3	Commande de détecteur		PH-0002-01
4	Panneau de soutien - lampe (supérieur)		PH-0003-01
5	Panneau de soutien - lampe (inférieur)		PH-0003-02
6	Lampe halogène		
A	Boîtier - lampe halogène		PH-0004-01
B	Ampoule - lampe halogène		PH-0004-02
C	Plaque de verre - lampe halogène		PH-0004-03
7	Caisson de hotte		PH-0005-01
8	Écran ACL		PH-0006-01
9	Filtre déflecteur	BF-0124	PH-0007-01

BOÎTE 2 DE 2

N° de modèle IS124DC			
N°	DESCRIPTION	MODÈLE	N° DE PIÈCE
10	Couvre-conduit intérieur		PD-0001-01
11	Registre rond de 7 po		PD-0002-01
12	Joint d'étanchéité en caoutchouc		PD-0002-02
13	Couvre-conduit extérieur		PD-0001-02
14	Conduit télescopique		PD-0001-03
15	Bloc de ventilation		PD-0003-00
A	Boîte électrique		PD-0003-01
B	Transformateur (lampe/ACL)		PD-0003-02
C	Processeur		PD-0003-03
D	Condensateur (moteur)		PD-0003-04
E	Carter du moteur		PD-0003-05
F	Boîtier du moteur		PD-0003-06
G	Moteur		PD-0003-07
H	Cage d'écureuil		PD-0003-08
I	Contre-écrou		PD-0003-09
J	Couvercle du ventilateur		PD-0003-10

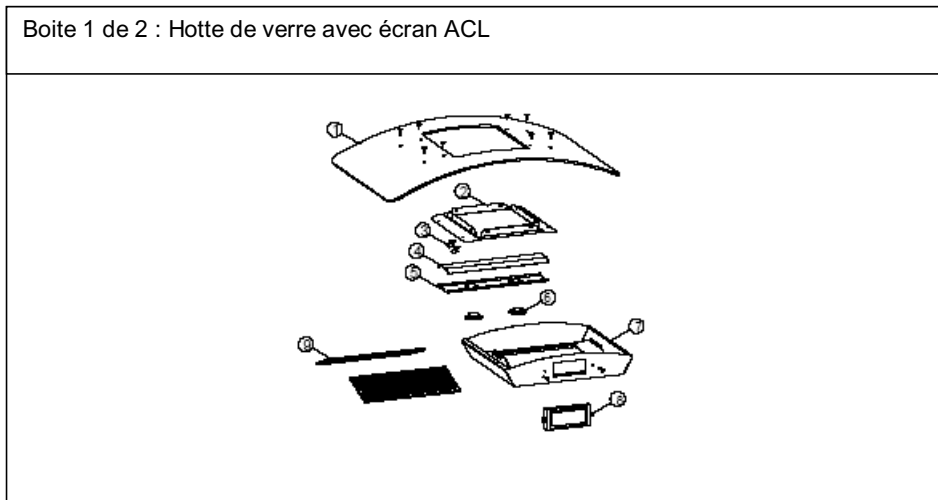
TROUSSE DE RECIRCULATION - N° d'article RD-0124 (OPTIONNEL)

N°	DESCRIPTION	MODÈLE	N° DE PIÈCE
16	Boîtier en T		RD-0004-00
A	Vis TS 3 X 15		RD-0004-01
B	Équerre de boîtier		RD-0004-02
C	Boîtier		RD-0004-03
17	Vis TS 3 x 15		RD-0004-01
18	Adaptateur rond de 7 po		RD-0005-01
19	Tuyau rond de 7 po en aluminium		RD-0006-01

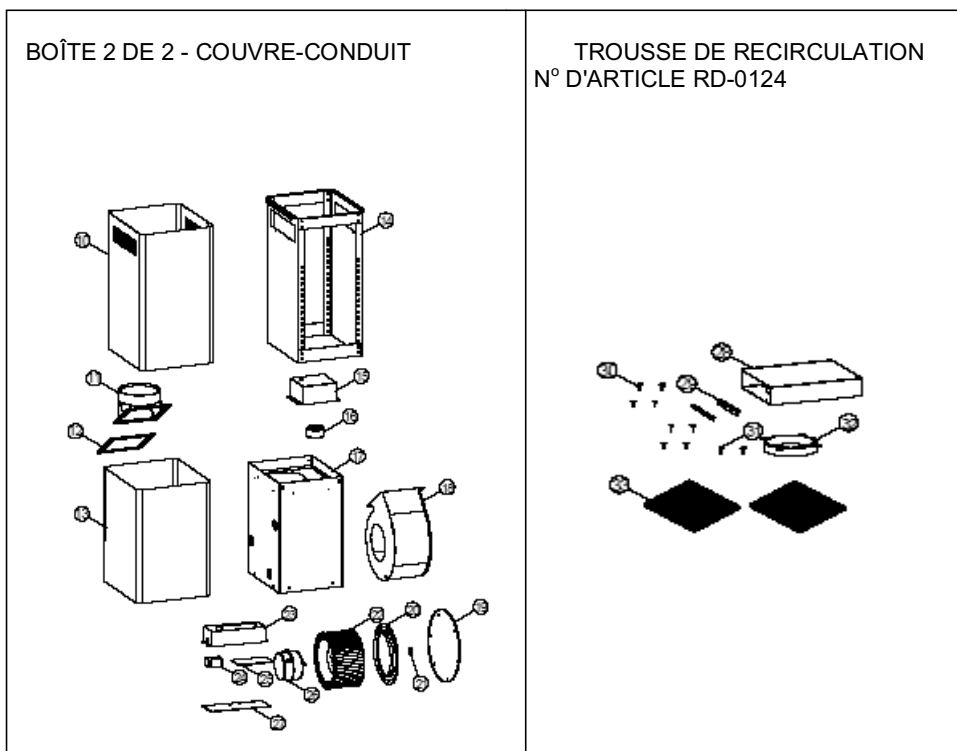
20	Filtre à graisse		RD-0007-01
----	------------------	--	------------

Modèles: IS2436GSB
IS2442GSB

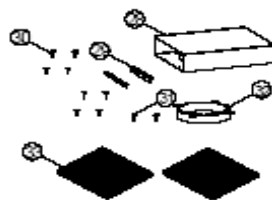
BOÎTE 1 DE 2 - HOTTE EN VERRE AVEC ÉCRAN ACL



BOÎTE 2 DE 2 - COUVRE-CONDUIT

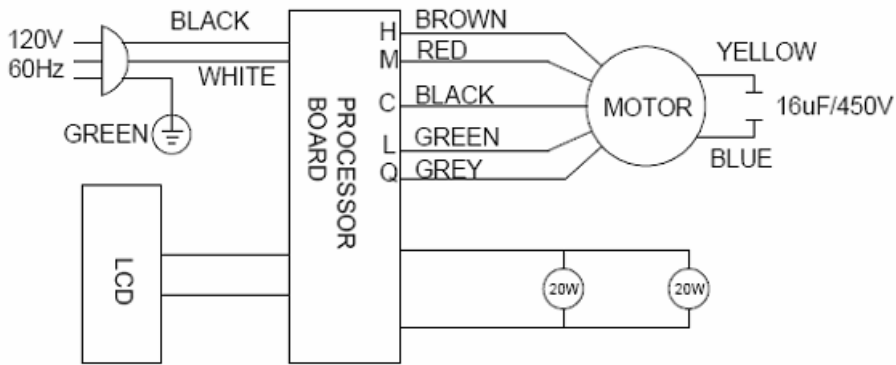


TROUSSE DE RECIRCULATION
N° D'ARTICLE RD-0124



SCHEMA DE CABLAGE

Modèles: IS2436GSB
IS2442GSB



TROUBLE SHOOTING

Problème	Cause probable	Solution
Après l'installation, les deux moteurs et les lumières ne fonctionnent pas.	Pas d'alimentation électrique. Assurez-vous que le disjoncteur et que l'alimentation électrique soient en marche.	Utilisez un voltmètre pour vérifier l'alimentation en électricité.
	Le câblage n'est pas bien installé.	Vérifiez et serrez les connexions de fils.
	Le câblage du panneau de commande et de la carte processeur est débranché.	Vérifiez le câblage au complet à partir du panneau de commande jusqu'à la carte processeur.
	Le transformateur du moteur est défectueux	Vérifiez l'entrée de courant et la sortie de courant du transformateur du moteur. Si nécessaire, remplacez le transformateur du moteur.
Les lumières fonctionnent, mais pas le(s) moteur(s).	Le panneau de commande ou la carte processeur est défectueux.	Remplacez le panneau de commande ou la carte processeur.
	Le(s) moteur(s) est (sont) défectueux.	Remplacez le(s) moteur(s).
	Le(s) condensateur(s) est (sont) défectueux.	Remplacez le(s) condensateur(s).
La hotte de cuisine vibre.	Le panneau de commande ou la carte processeur est défectueux.	Remplacez le panneau de commande ou la carte processeur.
	Le système de ventilation n'est pas bien installé.	Serrez la pale turbine/cage d'écureuil et le réservoir d'air.
	La pale turbine/cage écureuil n'est pas bien balancée.	Remplacez la pale turbine/cage d'écureuil.
Le moteur fonctionne, mais pas les lumières.	La hotte n'est pas assez bien serrée.	Vérifiez l'installation de la hotte, serrez le support de fixation.
	L'ampoule de la lampe halogène est défectueuse.	Essayez l'ampoule de lampe défectueuse sur une douille qui fonctionne. Si l'ampoule ne fonctionne toujours pas, remplacez-la.
	Le câblage de la lampe n'est pas assez serré.	Vérifiez le câblage au complet à partir de la carte processeur jusqu'au transformateur puis jusqu'au boîtier.
	Le transformateur de la lumière est défectueux.	Vérifiez l'entrée de courant et la sortie de courant du transformateur de lampe. Si nécessaire, remplacez le transformateur de lampe.
Le panneau de commande ou la carte processeur est défectueux.	Le panneau de commande ou la carte processeur est défectueux.	Remplacez le panneau de commande ou la carte processeur.
	La hotte de cuisine est installée hors des limites recommandées par le fabricant.	Ajustez le dégagement entre la hotte de cuisine et la table de cuisson pour qu'il soit de 27" à 30". Pour une hotte de cuisinière sur îlot, le dégagement entre la hotte de cuisine et la table de cuisson est de 30" à 36".
	Il n'y a pas d'air d'appoint à l'intérieur de la maison.	Ouvrez la fenêtre pour améliorer la performance de la hotte en créant suffisamment d'air d'appoint.
	Un obstacle bloque la canalisation.	Enlevez tous les obstacles de la canalisation.
La canalisation est plus petite que la canalisation suggérée.	Changez la canalisation en accord avec les suggestions du fabricant.	
	De l'air froid entre dans la maison.	Vérifiez l'installation du conduit.
	Le clapet n'est pas bien installé ou manque à l'installation.	Vérifiez l'installation du clapet.
Le clapet n'est pas installé.	En installant le clapet, vous aiderez à éliminer le retour d'air.	

AVIS DE NON-RESPONSABILITÉ

1. **INSPECTER ATTENTIVEMENT TOUS LES ARTICLES POUR DÉCELER TOUT DOMMAGE, S'IL Y A LIEU, AVANT D'ACCEPTER LA LIVRAISON. NOTER TOUT DOMMAGE SUR LA FACTURE DE TRANSPORT OU LE CONNAISSEMENT. EXIGER LE NOM ET LA SIGNATURE DE L'EMPLOYÉ DU TRANSPORTEUR ET CONSERVER UNE COPIE COMME PIÈCE JUSTIFICATIVE DE LA RÉCLAMATION.**
Sur acceptation des articles, le propriétaire assume la responsabilité de l'état dans lequel se trouvent les articles à la livraison. Les dommages doivent être déclarés au transporteur et une réclamation doit être déposée à défaut de quoi le transporteur pourrait refuser d'honorer la réclamation. Le transporteur fournira les formulaires nécessaires pour effectuer une réclamation.
LES DOMMAGES CAUSÉS DURANT LE TRANSPORT NE SONT PAS COUVERTS PAR NOTRE GARANTIE.
2. **PRIÈRE DE BIEN VÉRIFIER LE CONTENU DE L'EMBALLAGE (DES EMBALLAGES) À LA RÉCEPTION!** Vous devez nous aviser par écrit de tout dommage ou toute pièce manquante à l'intérieur du délai alloué à partir de la réception de la marchandise. Communiquer avec votre représentant ou distributeur local de KOBE ou appeler chez KOBE pour connaître le délai alloué.
LES RÉCLAMATIONS QUI NOUS PARVIENDRONT APRÈS LE DÉLAI ALLOUÉ SERONT REFUSÉES.
NOTE: TOUS LES ARTICLES ONT ÉTÉ MIS À L'ESSAI MINUTIEUSEMENT ET EMBALLÉS AVEC SOIN À NOTRE USINE.
3. Les produits doivent être retournés en bonne condition de marche avec TOUTES les pièces d'origine et la documentation et dans TOUS les emballages d'origine (boîtes de carton et matériel de remplissage). Des frais de reconstitution de stocks de 25 % seront facturés pour tous les retours autorisés.
LES ÉCHANGES OU LES RETOURS PEUVENT ÊTRE REFUSÉS SI UNE PARTIE DE L'EMBALLAGE MANQUE.
4. **INSPECTER AVEC SOIN LA HOTTE POUR DÉCELER TOUT DOMMAGE OU DÉFAUT AVANT L'INSTALLATION.** Les défauts dans l'apparence de la hotte décelés après l'installation et n'affectant pas son rendement ne sont pas couverts par notre garantie et ne peuvent constituer une raison valable pour un retour ou un échange. Des frais seront facturés pour les appels de service non couverts par notre garantie.
 - A) Avant l'installation: retour pour échange ou remboursement (svp, voir plus haut les raisons valables pour un retour).
 - B) Après l'installation: **AUCUN** échange ou remboursement.

GARANTIE

CERTIFICAT DE GARANTIE

Tous les produits fabriqués ou fournis par KOBE Range Hoods sont garantis contre tout défaut de fabrication et de matière première. Les obligations du fabricant dans le cadre de la présente garantie sont limitées à une période de deux (2) ans à partir de la date d'achat et à la réparation ou au remplacement, à sa discrétion, conformément aux modalités et conditions énoncées plus bas, de tout composant qu'il jugera défectueux après examen.

PÉRIODE DE GARANTIE DE DEUX (2) ANS

Toute défaillance couverte par la garantie se produisant dans les deux (2) ans à compter de la date d'achat d'origine et découlant d'une fabrication ou d'une matière première défectueuse sera réparée (ou, à notre discrétion, l'appareil pourra être remplacé), sans frais, par un agent autorisé de KOBE Range Hoods ou par KOBE Range Hoods selon le cas. Conservez votre preuve d'achat (ou facture d'origine) pour inspection.

Si la hotte de cuisinière est vendue par l'acheteur d'origine au cours de la période de garantie, le nouveau propriétaire sera protégé jusqu'à l'expiration de la garantie de l'acheteur d'origine.

CONDITIONS

Les conditions suivantes s'appliquent seulement en relation avec la garantie accordée expressément par le présent certificat.

- 1) La présente garantie est valide uniquement :
 - a) aux États-Unis et au Canada;
 - b) si la hotte de cuisinière est utilisée pour un USAGE FAMILIAL UNIQUE (si la hotte sert à un USAGE COMMERCIAL OU À PLUSIEURS FAMILLES OU À D'AUTRES FINS, la garantie sera nulle et non avenue).
- 2) La réparation de tout défaut couvert par la présente garantie ne sera pas couverte :
 - a) si le numéro d'identification de la hotte a été altéré, rendu illisible ou enlevé;
 - b) si le défaut n'a pas été déclaré au cours de la période de garantie applicable;
 - c) dans le cas de défectuosité des ampoules ou des lampes à rayons infrarouges;
 - d) dans le cas de tout dommage physique;
 - e) pour des surfaces endommagées par l'utilisation de produits nettoyants inappropriés;
 - f) si l'appareil a été :
 - i). soumis à un mauvais usage, un abus, une négligence, un accident, une installation inadéquate ou si les instructions du mode d'emploi n'ont pas été respectées;
 - ii). branché à une alimentation électrique ou à des conduits d'évacuation inappropriés, inadéquats ou défectueux ou opéré avec l'emploi de lubrifiants inadéquats ou contaminés;
 - iii). installé, entretenu ou opéré autrement qu'en conformité avec les instructions fournies par KOBE Range Hoods incluant l'utilisation inappropriée de détergents, javellisants ou nettoyants.
 - g) pour tout dommage à la hotte durant le transport, la livraison, l'installation ou l'enlèvement ;
 - h) pour tout dommage résultant d'un essai de réparation effectué par une autre personne que par un technicien de service autorisé par KOBE.
 - i) le bruit ou la vibration causé par une installation inappropriée de la hotte de ventilation et/ou du clapet.

- 3) L'acheteur sera responsable de tous les frais requis pour rendre la hotte facilement accessible au service et, lorsque la hotte est installée à l'extérieur du territoire de ventes principal du détaillant ou du territoire de service de l'agent autorisé de KOBE Range Hoods le plus près, selon le cas, de tous les frais de déplacement et de tous les frais de transport de la hotte ou de pièces de celle-ci jusqu'au détaillant ou au technicien de service (aller-retour).
- 4) L'acheteur doit fournir la preuve d'achat de même que le présent certificat de garantie au moment de faire une réclamation.
- 5) Les dommages causés durant l'expédition ne sont pas couverts sous la présente garantie.

DOMMAGES INDIRECTS

KOBE Range Hoods, Inc. ne sera pas tenue responsable des dommages indirects. CERTAINS ÉTATS ET CERTAINES PROVINCES NE PERMETTENT PAS L'EXCLUSION DES DOMMAGES INDIRECTS. EN CONSÉQUENCE, LA PRÉSENTE EXCLUSION PEUT NE PAS S'APPLIQUER DANS VOTRE CAS.

GARANTIES TACITES / RÉGLEMENTATION

Toutes les garanties tacites, incluant la garantie implicite de qualité marchande et de pertinence dans un but particulier, imposées par la réglementation de l'état ou de la province d'achat, sont limitées à une durée de deux (2) ans à compter de la date d'achat d'origine. Certains états ou provinces ne permettent pas les limitations ayant trait à la durée d'une garantie tacite. La présente garantie vous donne des droits légaux précis et vous pouvez avoir d'autres droits pouvant varier d'un état à l'autre ou d'une province à l'autre.

SERVICE

Pour obtenir du service :

KOBE Range Hoods
11775 Clark Street
Arcadia, CA 91006
U.S.A
Tél.: (626) 775-8880
Courriel: customer.service@KOBERangeHoods.com
Site Web: www.KOBERangeHoods.com

Enregistrement de votre produit

KOBE ® offre un service de réparation ou de remplacement, (à être déterminé par KOBE ® ou un de ses agents de service autorisés) sans frais pour toutes les pièces ou éléments défectueux dont le mal fonctionnement est dû à un défaut de fabrication à l'intérieur d'un délai de deux ans suivant l'achat original.

Conserver votre preuve d'achat ou la facture originale. Si l'appareil est vendu par l'acheteur original pendant la période de garantie le nouveau propriétaire est protégé jusqu'à l'expiration de la garantie originale de l'acheteur.

Attention : pour obtenir du service sous garantie vous devez avoir une preuve de la date d'achat du produit.

Pour de l'information plus complète quant aux détails de la garantie veuillez vous référer à la dite section de ce manuel.

Cet appareil a été fabriqué, testé, et inspecté selon les normes requises par KOBE ® Range Hoods Inc.

SVP ENVOYER PAR COURRIER VOTRE CARTE D'ENREGISTREMENT DE GARANTIE AINSI QU'UNE PREUVE D'ACHAT À :

KOBE Range Hoods
Warranty Registration
11775 Clark Street
Arcadia, CA 91006
U.S.A.

INFORMATION POUR VOS DOSSIERS :

Modèle : _____

No de Série : _____

Date d'achat : (JJ) ____/(MM)____/(AAAA)____

Achat effectué chez :

Nom : _____

Adresse : _____

Tel : _____

IMPORTANT : TOUJOURS CONSERVER UNE COPIE DE VOTRE PREUVE D'ACHAT OU DE VOTRE FACTURE.

KOBE[®]

KOBE Range Hoods
11775 Clark St.
Arcadia, CA 91006, U.S.A.

<http://www.KOBERangeHoods.com>

Cette hotte KOBE est fabriquée pour les ÉTATS-UNIS et le CANADA uniquement. Nous ne recommandons pas l'utilisation de cette hotte outremer puisque l'alimentation électrique peut ne pas être compatible et peut enfreindre le code d'électricité de ce pays. **Utiliser une hotte KOBE outremer est à vos propres risques et annulera la garantie.**

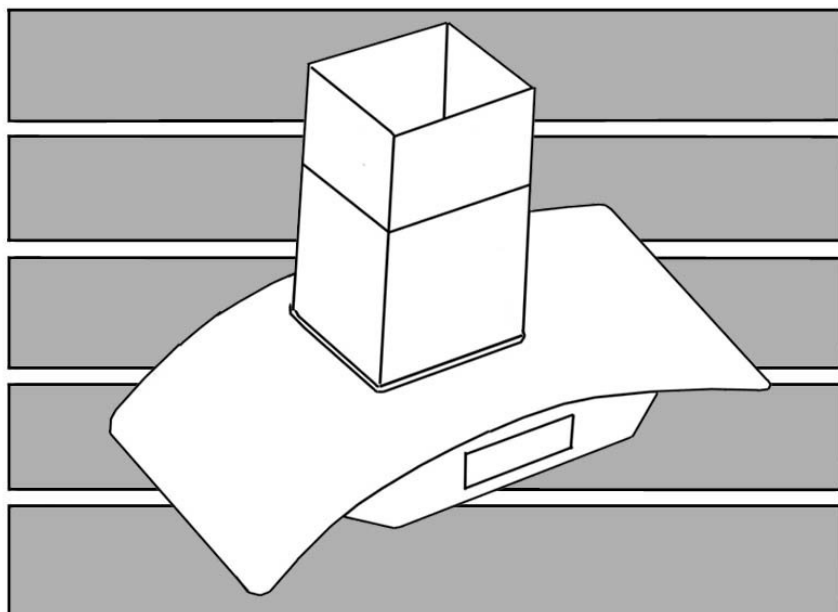
Information subject to change without notice.

VER.091209

KOBE Campana de Extracción KOBE

**Modelo No. IS2436GSB
IS2442GSB**

**SERIE IS-124 – 5” DE ALTURA
“CAMPANA DE ISLA CON TOLDO DE VIDRIO Y PANTALLA
LCD”**



**INSTRUCCIONES DE INSTALACIÓN
Y MANUAL DE OPERACIÓN**

- LEA Y CONSERVE ESTAS INSTRUCCIONES -

ÍNDICE

INSTRUCCIONES IMPORTANTES DE SEGURIDAD	51
COMPONENTES DEL PAQUETE	52
INSTRUCCIONES DE OPERACIÓN.....	58
MANTENIMIENTO.....	61
ESPECIFICACIONES	63
MEDIDAS Y DIAGRAMAS	64
LISTADO DE PIEZAS.....	65
DIAGRAMA DE CIRCUITO.....	67
INSTRUCCIONES IMPORTANTES DE SEGURIDAD	68
CLÁUSULA DE EXENCIÓN	69
GARANTÍA.....	70
REGISTRO DEL PRODUCTO.....	72

- LEA CUIDADOSAMENTE TODAS LAS INSTRUCCIONES ANTES DE
COMENZAR -

TODO EL CABLEADO DEBERÁ REALIZARSE POR UN
PROFESIONAL Y DE ACUERDO CON TODOS LOS CÓDIGOS
ELÉCTRICOS NACIONALES Y LOCALES



INSTRUCCIONES IMPORTANTES DE SEGURIDAD

- POR FAVOR, LEA CUIDADOSAMENTE ESTA SECCIÓN ANTES DE INSTALAR -

⚠️ ADVERTENCIA: PARA REDUCIR EL RIESGO DE INCENDIO, ELECTROCUCIÓN O LESIÓN PERSONAL, TOMA EN CUENTA LO SIGUIENTE:

- 1) La instalación y el cableado eléctrico deberán realizarse por profesionales calificados y de acuerdo con todos los códigos y estándares correspondientes, incluyendo los códigos y normas sobre la construcción para prevenir incendios.
- 2) Al cortar o perforar una pared o techo, tenga cuidado de no dañar el cableado eléctrico u otras instalaciones de servicios ocultas.
- 3) Los ventiladores con conductos deberán tener una ventilación hacia el exterior.
 - a) Antes de darle servicio o limpiar la unidad, abra el panel de la luz y DESCONECTE EL SUMINISTRO ELÉCTRICO EN EL PANEL DE SERVICIO.
 - b) Limpie frecuentemente las superficies saturadas con grasa. Para reducir el riesgo de incendio y para dispersar el aire adecuadamente, asegúrese de ventilar el aire al exterior. NO ventile el aire del escape en espacios cerrados entre paredes, áticos, espacios de acceso debajo de pisos o garajes.

NOTA - Esta garantía no es válida sin un recibo de un agente autorizado o si la unidad se ha dañado debido al maltrato, mala instalación, uso inadecuado, abuso, negligencia o cualquier otra circunstancia que se encuentre fuera del control de los agentes autorizados de KOBE RANGE HOODS. Cualquier reparación que se realice sin la supervisión de los agentes autorizados de KOBE RANGE HOODS anulará la garantía automáticamente.

- KOBE RANGE HOODS no se hará responsable por cualquier daño a la propiedad personal o inmobiliario ni por las lesiones físicas que se hayan causado ya sea directa o indirectamente por la campana de extracción.

⚠️ ADVERTENCIA: PARA REDUCIR EL RIESGO QUE OCURRAN LESIONES PERSONALES EN CASO DE UN INCENDIO CAUSADO POR LA GRASA ACUMULADA EN LAS HORNILLAS DE LA ESTUFA:

- Mantenga limpios todos los ventiladores, deflectores/separadores/filtros/conductos de aceite/recipientes para aceite y las superficies saturadas con grasa. No deberá permitirse que la grasa se acumule en el ventilador, deflector/separador/filtro/conducto de aceite/ recipiente para aceite.
- Siempre ENCIENDA el extractor cuando cocine.
- Utilice las configuraciones altas en la estufa SOLAMENTE cuando sea necesario.
- No deje la estufa sin supervisión mientras esté cocinando.
- Siempre utilice utensilios de cocina adecuados para el tipo y cantidad de alimentos que prepara.
- Utilice esta unidad únicamente de la manera en que fue diseñada por el fabricante.
- Antes de darle servicio, desconecte el suministro eléctrico en el panel de servicio y cierre bajo llave el panel de servicio (de ser posible) para prevenir que la unidad se encienda accidentalmente.
- Limpie el ventilador con frecuencia.

Qué Hacer en Caso de un Incendio Causado por la Grasa Acumulada en las Hornillas de la Estufa

- SOFOQUE LAS LLAMAS con una tapadera, una bandeja para hornear galletas o una bandeja de metal que quede bien ajustada y luego apague la hornilla. MANTENGA TODO EL MATERIAL INFLAMABLE O COMBUSTIBLE LEJOS DE LAS LLAMAS. Si las llamas no se apagan inmediatamente, EVACUE EL ÁREA Y LLAME AL DEPARTAMENTO DE BOMBEROS o al 911.
- NUNCA LEVANTE UN SARTÉN QUE SE ESTÉ QUEMANDO – Usted Podría Quemarse.
- NO UTILICE AGUA, incluyendo paños o toallas mojadas - esto resultará en una explosión violenta de vapor.
- Utilice un extinguidor SOLO si:
 - a) Cuenta con un extinguidor Clase A, B, C y sabe cómo utilizarlo.
 - b) El incendio es pequeño y se ha contenido en el área en donde comenzó.
 - c) Ha llamado al departamento de bomberos.
 - d) Puede combatir el incendio con su espalda dirigida hacia una salida.

Qué Hacer si Siente Olor a Gas

- Apague cualquier llama abierta.
- No intente encender las luces o cualquier otro tipo de aparato.
- Abra todas las puertas y ventanas para dispersar el gas. Si aún así siente olor a gas, llame a la Compañía de Gas y al Departamento de Bomberos inmediatamente.

⚠ PRECAUCIÓN

- 1) Solamente para ventilación general. No utilizar para eliminar materiales y vapores peligrosos o explosivos.
- 2) Para reducir el peligro de incendio, utilice solamente una red de conductos metálicos. Necesita aire suficiente para la combustión y eliminación de gases por medio del conducto de ventilación (chimenea) para prevenir la explosión de flujo de aire en retroceso.
- 3) Siga las directrices y estándares de seguridad del fabricante del equipo de calefacción, tales como aquellos publicados por la Asociación de Protección contra Incendios (National Fire Protection Association – NFPA) y la Sociedad Americana de Ingenieros en Calefacción, Refrigeración y Aire Acondicionado (American Society for Heating, Refrigeration and Air Conditioning Engineers – ASHRAE) y las autoridades normativas.
- 4) Activar cualquier interruptor podría causar una explosión o ignición.
- 5) Debido al tamaño y peso de esta campana de extracción, se recomienda que la instalación sea realizada por dos personas.

⚠ ADVERTENCIA



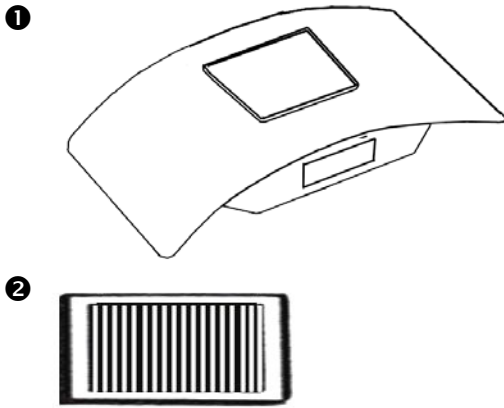
RIESGO DE ELECTROCUCIÓN – Puede resultar en lesiones serias o la muerte. Desconecte el aparato del suministro eléctrico antes de darle servicio. Si estuviera equipado con éste, el foco fluorescente debido a que contiene pequeñas cantidades de mercurio, deberá reciclarse o desecharse según los Códigos Locales, Estatales y Federales.

COMPONENTES DEL PAQUETE

(Debe conservar todo el material en caso de devolverlo o solicitar un reembolso)

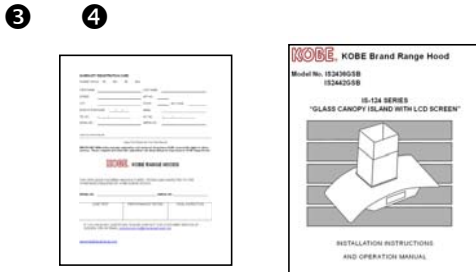
CAJA 1 DE 2
 MODELO NO. IS2436GSB
 MODELO NO. IS2442GSB

- 1 Toldo de Vidrio con Pantalla LCD – 1
- 2 Filtro Deflector – 2
- 3 Tarjeta de Registro para Garantía – 1
- 4 Manual de Instrucciones – 1

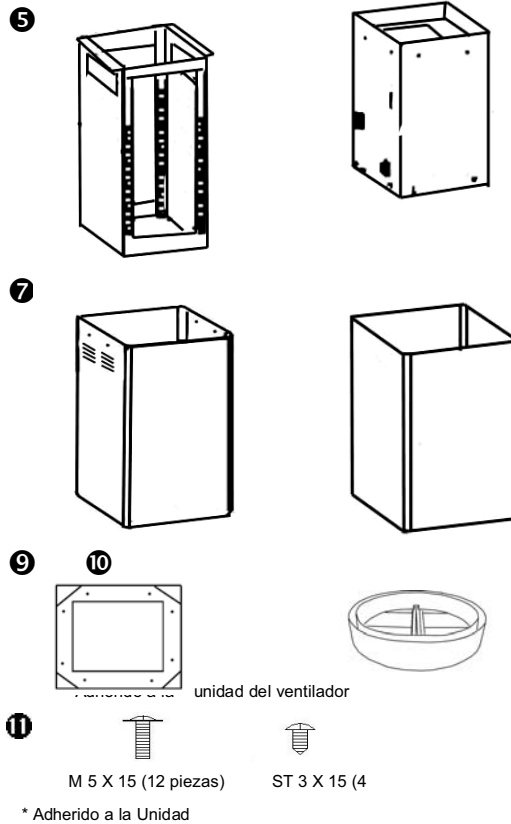


* Unido a la Campana

CAJA 2 DE 2
 MODELO NO. IS124DC



- 5 Chimenea Telescópica – 1
- 6 Unidad del Ventilador - 1
- 7 Cubierta de Conductos Interna – 1
- 8 Cubierta de Conductos Externa – 1
- 9 Plantilla de Montaje – 1
- 10 Regulador Redondo de 7" – 1
- 11 Paquete de Tornillos



♦ KIT DE RECIRCULACIÓN DISPONIBLE. PARA MÁS INFORMACIÓN, POR FAVOR VISITE NUESTRO SITIO DE INTERNET WWW.KOBERangeHoods.COM O CONTACTE A KOBE RANGE HOODS AL 1-877- BUY-KOBE (1-877-289-5623)

INSTALACIÓN

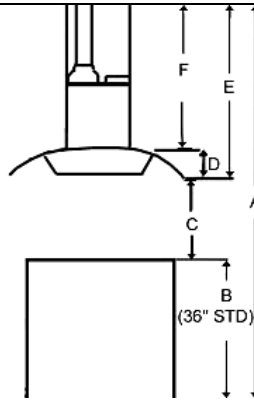
POR FAVOR, LEA LAS INSTRUCCIONES COMPLETAMENTE ANTES DE CONTINUAR

Cálculo antes de la Instalación

Para realizar el cálculo para la instalación, por favor consulte la TABLA 1. (Todos los cálculos están hechos en pulgadas).

TABLA 1

A = Altura del Piso al Techo
B = Altura del Piso a la Superficie del Mostrador
(Estándar: 36")
C = Altura Preferida de la Superficie del Mostrador a Parte Inferior de la Campana (Se recomienda de 30" a 36")
D = Altura de la Campana
E = Altura de Instalación de la Campana
[A – (B+C)]
F = Altura de la Cubierta de Conductos
[E – D]



ADVERTENCIA DE SEGURIDAD

LA CAMPANA PODRÍA TENER EXTREMOS SUMAMENTE FILOSOS; FAVOR DE UTILIZAR GANTES PROTECTORES SI VA A RETIRAR CUALQUIER PIEZA PARA INSTALAR, LIMPIAR O DARLE SERVICIO.

NOTA: TENGA MUCHO CUIDADO AL UTILIZAR UN DESTORNILLADOR ELÉCTRICO; PODRÍA CAUSAR DAÑOS A LA CAMPANA.

Preparación antes de la Instalación

NOTA: PARA EVITAR CAUSAR DAÑOS A SU CAMPANA, EVITE QUE DESECHOS PENETREN EN LA RENDIJA DE VENTILACIÓN

- Decida la ubicación para colocar el conducto de ventilación de la campana hacia el exterior. Consulte la Figura 1.
- Un ducto de escape recto y corto permitirá que la campana trabaje con más eficiencia.
- Intente evitar tantas conexiones, codos y ductos largos como sea posible. Esto podría reducir el rendimiento de la campana.
- Conecte temporalmente la campana para probar que esté funcionando apropiadamente antes de instalarla. Refiérase a la figura 5 en la página 56.
- **Importante: retire la película protectora de la cubierta de conductos y de la campana, si hubiera alguna.**
- Utilice cinta de aislar para sellar las uniones entre las secciones del tubo.

Planificación por Anticipado

1. Marque las líneas centrales de la estufa en el techo. Utilice las líneas centrales marcadas en el techo para posicionar la plantilla de montaje como se muestra en la Figura 2.
2. Remueva y guarde la plantilla. Corte y remueva el techo de tablaroca. Instale madera de entramado de 2" x 4" (no incluida) entre las vigas del techo.
3. El entramado debe tener una separación de 12-1/8" en la línea central y de 14-1/4" a los lados para poder colocar el tornillo de montaje en la chimenea telescópica. Refiérase a las MEDIDAS Y DIAGRAMAS en las páginas 64. Como se muestra en la Figura 3.
4. Realice los acabados a la superficie del techo. Asegúrese de marcar la localización de las vigas del techo y de la madera de entramado.
5. Alinee la plantilla de montaje con las marcas del techo y adhiera en su lugar con cinta adhesiva. Corte una abertura para conductos de 7-1/4" y un agujero de acceso para cables de aproximadamente 1". Perfore agujeros para los ocho (8) tornillos de montaje como se indica en la plantilla.

Figura 1

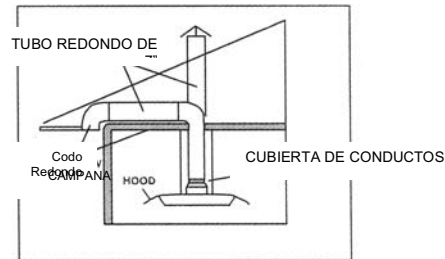


Figura 2

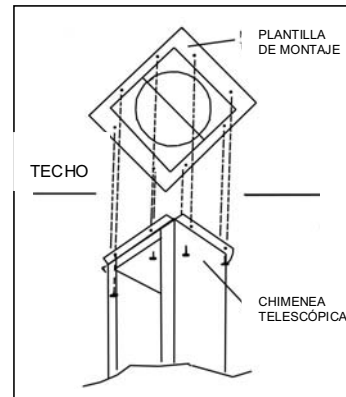
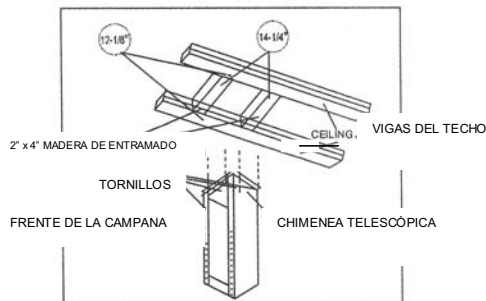


Figura 3



Instalación de la Chimenea Telescópica

6. Alinee la chimenea telescópica con los agujeros preperforados en el techo y asegure las vigas y la madera de entramado con ocho tronillos (no incluidos). Asegúrese que los tornillos sean insertados al centro de las vigas y la madera de entramado para mayor soporte.
7. Ajuste la unidad del ventilador con la chimenea telescópica utilizando la referencia F calculada en la TABLA 1 y las medidas en las páginas 64. Apriete la unidad del ventilador con la chimenea telescópica con cuatro tornillos de (M5 x 15) (incluidos) como se muestra en la Figura 4.

Cableado Hacia la Fuente de Alimentación



ADVERTENCIA DE SEGURIDAD

RIESGO DE ELECTROCUCIÓN. ESTA CAMPANA DE EXTRACCIÓN DEBERÁ TENER UNA CONEXIÓN A TIERRA ADECUADA. ASEGÚRESE QUE ESTO SE REALICE POR UN ELECTRICISTA ESPECIALIZADO Y DE ACUERDO CON TODOS LOS CÓDIGOS ELÉCTRICOS NACIONALES Y LOCALES CORRESPONDIENTES. ANTES DE CONECTAR LOS CABLES, DESCONECTE EL SUMINISTRO ELÉCTRICO EN EL PANEL DE SERVICIO Y CIERRE BAJO LLAVE EL PANEL PARA PREVENIR QUE LA UNIDAD SE ENCIENDA ACCIDENTALMENTE.

8. Guíe el cableado de la casa dentro del techo tan cerca del lugar de la instalación como sea posible. Asegúrese de éste sea lo suficientemente largo para que caiga del techo hacia la caja eléctrica.
9. Conecte los cables eléctricos de acuerdo al color (verde con verde, blanco con blanco, y verde con verde) y tape los conectores de los cables como se muestra en la Figura 5. El cable verde debe estar en tierra para reducir el riesgo de choque eléctrico.

Instalación de la Red de Conductos

10. Utilice un tubo redondo de aluminio o acero de 7" (no incluido) para conectar el regulador redondo en la campana a la red de conductos de arriba. NOTA: Coloque el tubo redondo de 7" sobre el regulador. Selle con cinta de aislar para que todas las uniones queden seguras y herméticas. NOTA: ASEGÚRESE QUE LAS PESTAÑAS EN EL REGULADOR PUEDAN ABRIRSE Y CERRARSE LIBREMENTE. (Figura 6)

Figura 4

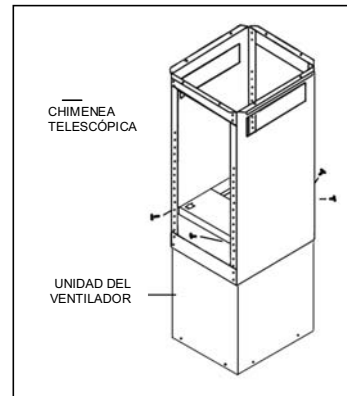


Figura 5

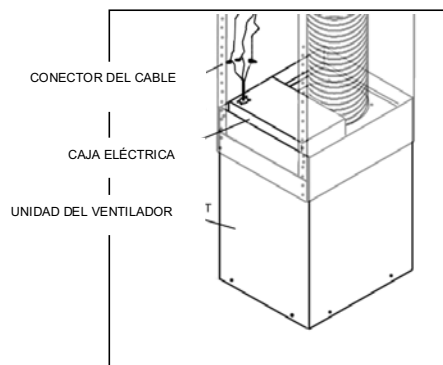
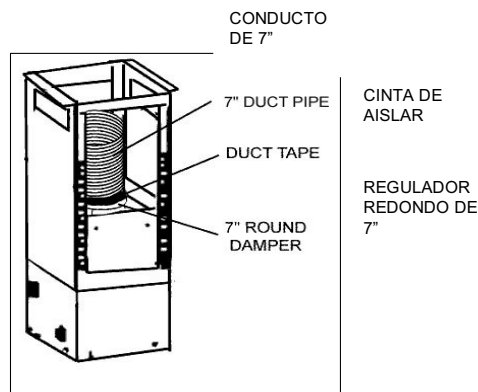


Figura 6



Instalación de la Cubierta de Conductos

11. Deslice la cubierta de conductos interna hacia arriba y asegúrela a la chimenea telescópica con cuatro tornillos (ST 3 x 15) (incluidos). Refiérase a la Figura 7.
12. Con la ayuda de alguien, deslice la cubierta de conductos externa en la unidad del ventilador y pida a su asistente que la sostenga firmemente hasta que el paso 15 se haya completado.
13. Adhiera el toldo de vidrio con la pantalla LCD debajo de la unidad del ventilador. Asegúrese que la unidad del ventilador esté dentro del conector de la carcasa. Refiérase al LISTADO DE PIEZAS en las páginas 64.
14. Asegure el conector de la carcasa con la unidad del ventilador utilizando los ocho tornillos (M5 x 15) (incluidos) como se muestra en la Figura 8.
15. Pida a su asistente que deslice la cubierta de conductos externa hacia abajo para que descansa en las ranuras del toldo de vidrio.

Conexión a la Pantalla LCD

⚠ ADVERTENCIA DE SEGURIDAD
RIESGO DE ELECTROCUCIÓN. ESTA CAMPANA DE EXTRACCIÓN DEBERÁ TENER UNA CONEXIÓN A TIERRA ADECUADA. ASEGÚRESE QUE ESTO SE REALICE POR UN ELECTRICISTA ESPECIALIZADO Y DE ACUERDO CON TODOS LOS CÓDIGOS ELÉCTRICOS NACIONALES Y LOCALES CORRESPONDIENTES. ANTES DE CONECTAR LOS CABLES, DESCONECTE EL SUMINISTRO ELÉCTRICO EN EL PANEL DE SERVICIO Y CIERRE BAJO LLAVE EL PANEL PARA PREVENIR QUE LA UNIDAD SE ENCIENDA ACCIDENTALMENTE.

16. Remueva el filtro deflector frontal (directamente detrás de la pantalla LCD). Cuando esté de frente a la pantalla LCD, gire ligeramente LAS PERILLAS hacia la izquierda para soltar el filtro deflector. PRECAUCIÓN: NO GIRE DEMASIADO LAS PERILLAS.
17. Conecte los cables a la unidad del ventilador de acuerdo con el color del conector.
18. Coloque los filtros deflectores de nuevo en su lugar.

Ensamblaje Final

19. ENCIENDA la unidad en el panel de control. Revise el funcionamiento de todas las luces y el ventilador.
20. Asegúrese de dejar éste manual para el propietario de la casa.

Figura 7

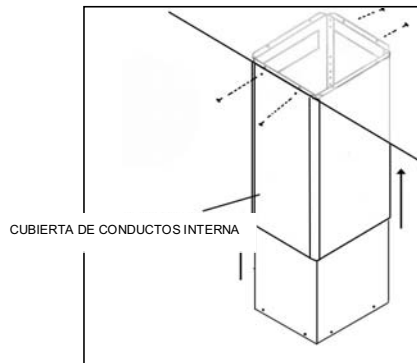
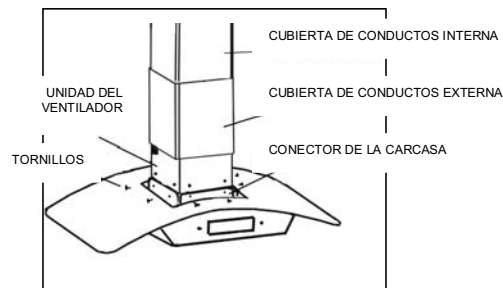


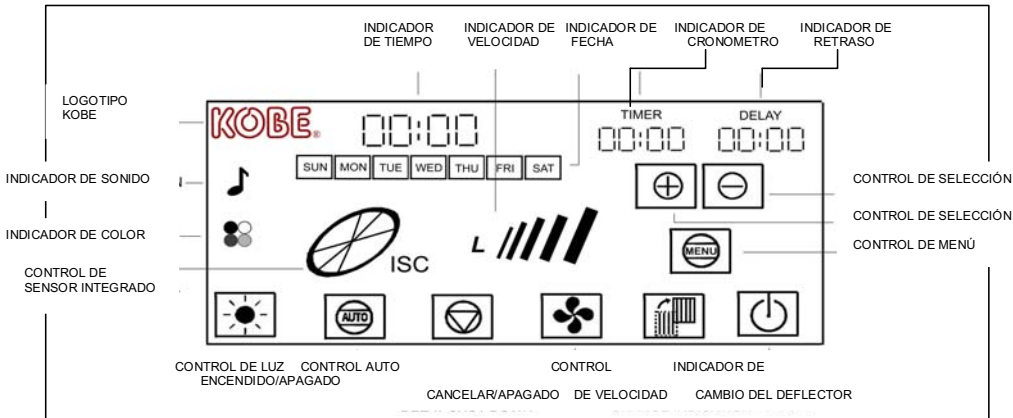
Figura 8



INSTRUCCIONES DE OPERACIÓN

Figure 9

PANTALLA LCD:





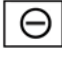


PRESIONE  PARA ENCENDER/APAGAR LA PANTALLA LCD

(Cuando la energía está encendida, la pantalla LCD se iluminará y permanecerá encendida hasta que sea apagada. Cuando la energía se apague, la pantalla LCD permanecerá iluminada por varios segundos antes de apagarse.)



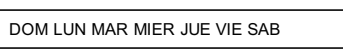


CONFIGURACIÓN GENERAL

(Durante la opción de menú, si una función no es escogida dentro de 10 minutos, el icono dejará de parpadear y la opción de menú terminará.)





• Para Configurar el Tiempo

3. Presione  hasta que el icono de tiempo se encienda.
4. Presione  o  para seleccionar la hora actual por horas: minutos.
(Escoja  para A.M. o  para P.M.)



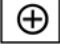
• Para Configurar la Fecha

1. Presione  hasta que la sección de fecha se encienda.
() 
2. Presione  o  para seleccionar la fecha actual.

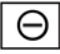
● **Para Configurar el Color de Fondo**


3. Presione  hasta que  se encienda.
4. Presione  o  para seleccionar el color de fondo (morado, celeste, o verde).

● **Para Configurar el Sonido**

3. Presione  hasta que  se encienda.
4. Presione  para seleccionar el sonido.

O


Presione  para enmudecer el sonido.

(Cuando aparezca  el sonido del teclado está ENCENDIDO.)

FUNCIONAMIENTO DE LA CAMPANA

● **ENCENDIENDO/APAGANDO el Ventilador**

3. Presione  para ENCENDER el ventilador.


(Cada vez que se presiona  se cambiará de ciclo entre QuietMode™, Baja, Media, y Alta.)


La pantalla indicará:

 = Velocidad en Modo Silencioso-QuietMode™

 = Velocidad Baja

 = Velocidad Media


 = Velocidad Alta


4. Presione  una vez y configurará el ventilador en un apagado con retraso de 3 minutos.

O

Presione  dos veces e inmediatamente se APAGARÁ el ventilador.

● **ENCENDIDO/APAGADO de el Control de Sensor Integrado (ISC Integrated Sensor Control)**

3. Presione  para ENCENDER el Control de Sensor Integrado (ISC).


( ISC indicará que el sistema de ISC está ENCENDIDO. Cuando el gas, humo, o la temperatura mayor de lo normal sea detectada, el ventilador se ENCENDERÁ automáticamente. El ventilador se irá hasta su velocidad más alta e irá bajando velocidad hasta que el gas o humo sea eliminado.)

4. Presione  para APAGAR EL CONTROL DE SENSOR INTEGRADO (ISC).

● **Para ENCENDER las luces**



(El control de Luz es independiente al control de ENCENDIDO/APAGADO. El apagar la energía no apagará las luces.)



2. Presione  para ENCENDER las lámparas de halógeno.



(Cada vez que se presione  la intensidad de luz avanzará entre los ciclos bajo, alto y apagado.)

● **Configurando el Modo de Retraso**

(El Modo de Retraso solamente apagará los ventiladores. Otras funciones que estén activas no serán apagadas.)



5. Presione  hasta que el icono  se encienda.



6. Presione  o  para configurar el tiempo para el apagado con retraso en minutos: segundos.


7. Presione  hasta que ninguno de los íconos esté encendido. Presione  para comenzar el apagado con retraso.

8. Cuando la cuenta regresiva llegue a 00:00, un sonido de alarma será emitido y los ventiladores se apagarán.

● **Configurando el modo de Cronómetro**

4. Presione  hasta que el icono  se encienda.

5. Presione  o  para configurar el tiempo deseado en el modo de cronómetro en minutos: segundos.

6. Presione  hasta que ninguno de los íconos esté encendido para iniciar el cronómetro.

(Cuando la cuenta regresiva llegue a 00:00, un sonido de alarma será emitido.)

MANTENIMIENTO

⚠ADVERTENCIA DE SEGURIDAD

NUNCA COLOQUE SUS MANOS DENTRO DE LA CAJA DEL VENTILADOR MIENTRAS ÉSTE SE ENCUENTRE FUNCIONADO.

Limpeza de la Superficie de la Campana

⚠PRECAUCIÓN: NUNCA UTILICE LIMPIADORES, ALMOHADILLAS O PAÑOS ABRASIVOS. NO UTILICE TOALLAS DE PAPEL SOBRE EL ACERO INOXIDABLE.

Para un funcionamiento óptimo, limpie la campana de extracción y todos los deflectores/separadores/filtros/conductos de aceite/recipientes para aceite con regularidad.

***El cuidado regular ayudará a preservar la apariencia de la campana.


1. Utilice solamente jabón o soluciones detergentes suaves. Seque las superficies utilizando un paño suave.
2. Si la campana se ve manchada (campana de acero inoxidable), utilice un limpiador para acero inoxidable para limpiar la superficie de la campana. Evite que la solución de limpieza caiga sobre o en el panel de control. Siga las instrucciones del limpiador de acero inoxidable. **Precaución: No lo deje por mucho tiempo pues podría dañar el acabado de la campana.** Utilice una toalla suave para limpiar la solución de limpieza y frote cuidadosamente cualquier área difícil de limpiar. Utilice una toalla suave y seca para secar la campana.
3. NO permita que depósitos se acumulen o permanezcan sobre la campana.
4. NO utilice lana de acero o cepillos de acero ordinarios. Pequeños pedazos de acero podrían adherirse a la superficie y causar óxido.
5. NO permita que soluciones de sal, desinfectantes, blanqueadores o compuestos de limpieza permanezcan en contacto con el acero inoxidable por períodos de tiempo prolongados. Muchos de estos compuestos contienen químicos, que podrían ser perjudiciales. Enjuague con agua después del contacto y seque con un paño limpio libre de pelusas.

Para Limpiar o Reemplazar el Filtro Deflector

⚠PRECAUCIÓN: DRENE EL RECIPIENTE PARA ACEITE ANTES QUE EL ACEITE SE DERRAME.

Indicación de Limpieza:



1. La pantalla LCD indicará  cuando el filtro deflector necesite limpieza.
2. Remueva para limpiar el filtro deflector. Cuando esté frente a la campana, gire LAS PERILLAS ligeramente hacia la izquierda para soltar. **PRECAUCIÓN: NO GIRE DEMASIADO LAS PERILLAS.**
(Para comprar el repuesto, por favor contacte a su vendedor KOBE local o llame al 626-350-1355)

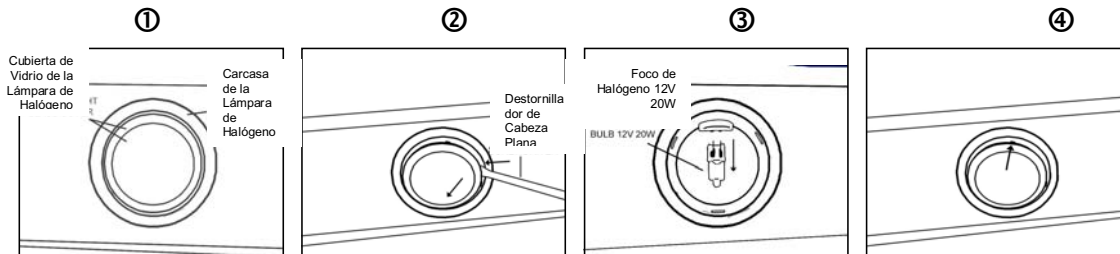
Limpiando el Filtro del Deflector:

1. Remueva todos los filtros del deflector girando ligeramente hacia la izquierda el pomo del filtro del deflector para soltarlo. **PRECAUCION: NO VUELQUE LAS PERILLAS.**
2. Lave con agua tibia jabonosa. Seque completamente antes de regresarlo a su lugar.
(Nota: Los Filtros del Deflector se pueden lavar en el tramo superior del lavaplatos automático.)

Para Reemplazar el Foco

**PRECAUCIÓN: ¡LA UNIDAD DE LA LÁMPARA DE HALÓGENO PODRÍA ESTAR CALIENTE!
ESPERE HASTA QUE SE ENFRÍE**

**NOTA: NO TOQUE LA LÁMPARA DE HALÓGENO CON LAS MANOS DESPROTEGIDAS, PUES
PODRÍA CAUSAR SOBRECALENTAMIENTO Y REDUCIR EL TIEMPO DE VIDA DE LOS FOCOS.**



1. Asegúrese que todos los controles se encuentren APAGADOS y que la campana de extracción se encuentre desconectada.
2. Coloque el destornillador de cabeza plana en la ranura localizada entre la cubierta de vidrio de los focos de halógeno y la carcasa(1).
3. Retire cuidadosamente la cubierta de vidrio de la carcasa.(2).
4. Hale suavemente el foco inservible (3) y deséchelo. Los focos deberán ser de 12V 20W como máximo.
5. Utilice un guante o un paño para sujetar el nuevo foco y empújelo para colocarlo en el receptáculo para focos. **NOTA: NO LO EMPUJE DEMASIADO FUERTE PUES PODRÍA QUEBRAR EL CONECTOR PARA FOCO.**
6. Coloque nuevamente la cubierta de vidrio de los focos de halógeno(4).
7. Enchufe nuevamente el cable de corriente y encienda la campana de extracción para verificar su funcionamiento.

ESPECIFICACIONES

CAJA 1 DE 2 MODELO / TAMAÑO	IS2436GSB / 36" IS2442GSB / 42"
CAJA 2 DE 2 MODELO / TAMAÑO	IS124DC – Cubierta de Conductos con unidad de ventilador
COLOR	Acero Inoxidable Calibre 18 de Grado Comercial
CONSUMO / AMPERAJE	240W / 2.0A
VOLTAJE	120V 60Hz
NÚMERO DE MOTORES	1
DISEÑO	Liso Calibre 18 / Acabado Satinado
TIPO DE VENTILADOR	Jaula de Ardilla Doble Horizontal
ESCAPE	Regulador Redondo Superior de 7"
CONTROLES	Pantalla Multi Función Digital LCD
LÁMPARAS DE HALÓGENO	12V 20W x 2
ACCESORIOS OPCIONALES (SE VENDEN POR SEPARADO)	Kit de Recirculación – Artículo No. RD-0124

		<u>Neto</u>	<u>Bruto</u>	
PESO (lbs)	(IS2436GSB)	40	51	
	(IS2442GSB)	46	58	
	(IS124DC)	55	73	
VELOCIDAD	QuietMode™	Baja	Media	Alta
Capacidad de Aire (cfm)	300	480	540	600
Sonio*	1.0*	2.8	4.5	4.8

*Un Sonio equivale al sonido de un refrigerador a 40 decibeles.

Las medidas del techo están calculadas con un espacio libre extra mínimo de 30" y máximo de 36".

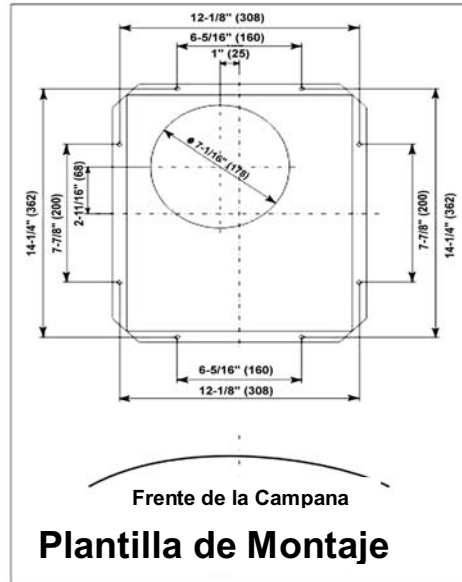
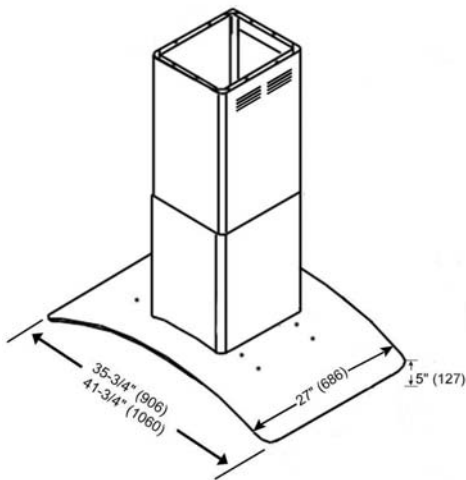
Las especificaciones están sujetas a cambio sin previo aviso.

MEDIDAS Y DIAGRAMAS

♦Todas las medidas en () están en milímetros.

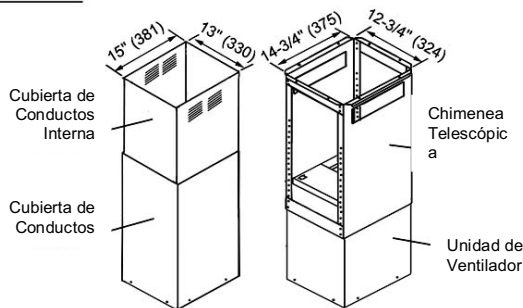
♦Todas las medidas en pulgadas han sido convertidas de milímetros. Las medidas en pulgadas son medidas aproximadas.

***Plantilla de Montaje



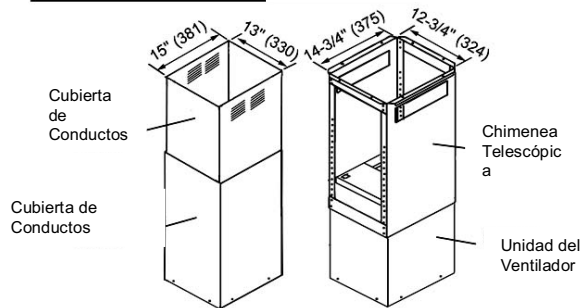
(Se venden por separado)

IS124DC



Dimensión : 26-1/2" (MIN.)
42-1/4" (MAX.)

IS124DC W/ RD-0124 Recirculatorio



Dimensión 29-1/4" (MIN.)
42-1/4" (MAX.)

LISTADO DE PIEZAS

MODELO IS2436GSB
NO.: IS2442GSB

(Caja 1 de 2)

MODELO NO. IS2436GSB MODELO NO. IS2442GSB			
NO.	DESCRIPCIÓN	MODELO	PIEZA NO.
01	Toldo de Vidrio	IS2436GSB	GC-0036-01
		IS2442GSB	GC-0042-01
02	Conector de la Carcasa		PH-0001-01
03	Control de Sensor		PH-0002-01
04	Panel de Soporte de Luz (Arriba)		PH-0003-01
05	Panel de Soporte de Luz (Inferior)		PH-0003-02
06	Lámpara de Halógeno		PH-0004-01
07	Carcasa de la Campana		PH-0005-01
08	Pantalla LCD		PH-0006-01
09	Filtro Deflector	BF-0124	PH-0007-01

(Caja 2 de 2)

MODELO NO. IS124DC			
NO.	DESCRIPCIÓN	MODELO	PIEZA NO.
10	Cubierta de Conductos Interna		PD-0001-01
11	Regulador Redondo de 7"		PD-0002-01
12	Sello de Goma		PD-0002-02
13	Cubierta de Conductos Externa		PD-0001-02
14	Chimenea Telescópica		PD-0001-03
15	Caja del Transformador		PD-0001-04
16	Transformador		PD-0003-02
17	Carcasa del Motor		PD-0003-05
18	Cámara de Aire		PD-0003-06
19	Parrilla de Flujo de Aire		PD-0003-11
20	Cubierta del Ventilador		PD-0003-10
21	Tuerca		PD-0003-09
22	Jaula de Ardilla		PD-0003-08
23	Caja del Panel de Energía		PD-0003-01
24	Condensador		PD-0003-04
25	Panel de Energía		PD-0003-03
26	Motor		PD-0003-07
27	Cubierta de la Caja de Energía		PD-0003-12

KIT DE RECIRCULACIÓN – ARTICULO NO. RD-0124 (OPCIONAL)			
NO.	DESCRIPCIÓN	MODELO	PIEZA NO.
28	Caja		RD-0004-03
29	Soporte de la Caja		RD-0004-02
30	ST3X10		RD-0004-01
31	ST3X10		RD-0004-01
32	Adaptador Redondo de 7"		RD-0005-01
33	Filtro de Grasa		RD-0007-01

MODELO IS2436GSB
NO.: IS2442GSB

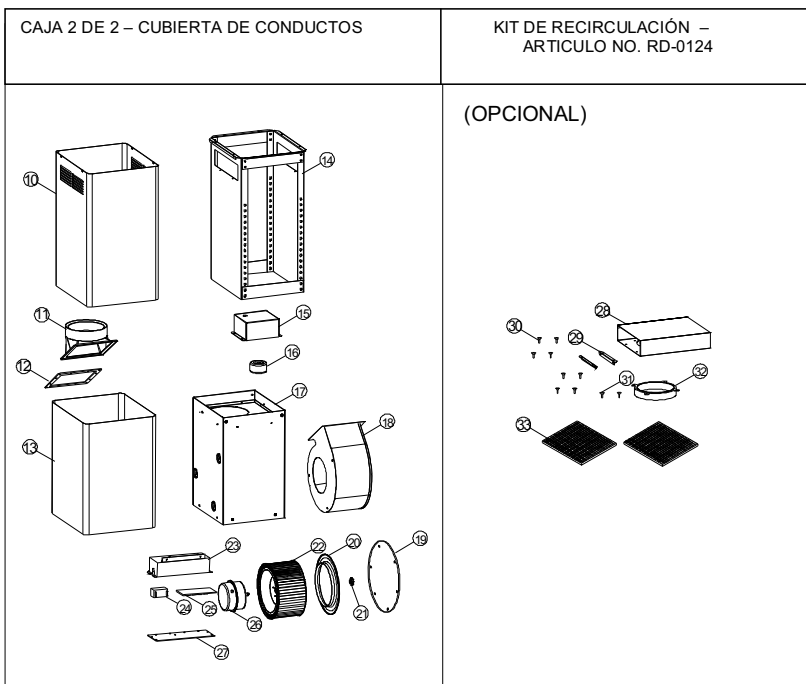
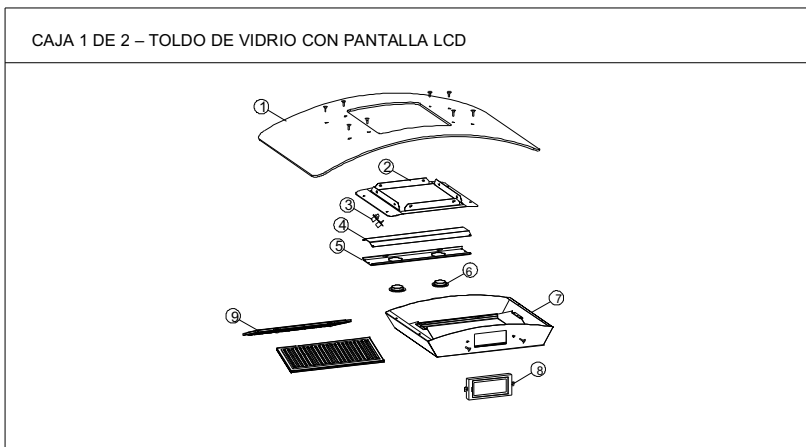
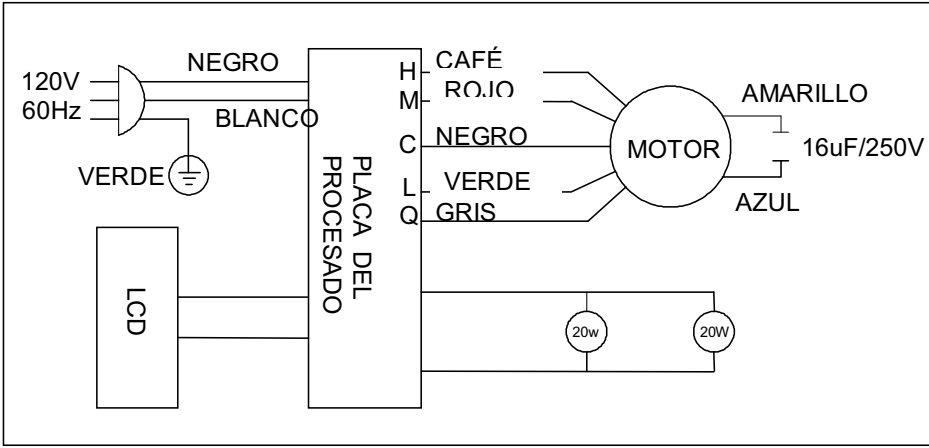


DIAGRAMA DE CIRCUITO

MODELO IS2436GSB
NO.: IS2442GSB



INSTRUCCIONES IMPORTANTES DE SEGURIDAD

Problema	Posible Causa	Solución
Después de la Instalación, ninguno de los motores ni las luces están funcionando.	No está encendido.	Asegúrese que el interruptor de circuitos y la unidad se encuentren encendidos. Utilice un medidor de voltaje para verificar la energía de entrada.
	La conexión de cables no está bien sujeta.	Verifique y ajuste la conexión de cables.
	El cableado del panel de control y la placa de procesador está desconectado.	Verifique la continuidad del cable desde el panel de control hasta la placa de procesador.
	El transformador del motor está defectuoso.	Verifique la entrada y salida de la corriente el transformador del motor. De ser necesario, reemplace el transformador del motor.
Las luces están funcionando pero el(los) motor(es) no.	El panel de control y la placa de procesador están defectuosos.	Reemplace el panel de control o la placa de procesador.
	El/los motor(es) está(n) defectuoso(s).	Reemplace el motor.
	El/los condensador(es) está(n) defectuoso(s).	Reemplace el(los) condensador(es).
La campana de extracción está vibrando.	El panel de control o la placa de procesador están defectuosos.	Reemplace el panel de control o la placa de procesador.
	El sistema de ventilador no está bien sujeto.	Tighten the turbine impeller/squirrel cage and air chamber.
	El impulsor de turbina/jaula de ardilla no está balanceado.	Ajuste el impulsor de turbina/jaula de ardilla y la cámara de aire.
El motor está funcionando pero las luces no.	La campana no está bien sujeta en su lugar	Verifique la instalación de la campana, ajuste el soporte de montaje.
	El(los) foco(s) de la Lámpara de Halógeno está(n) defectuoso(s).	Intente colocar el foco que le está dando problemas en otro receptáculo que funcione, si aún así éste no funciona, reemplace el foco de halógeno.
	El cableado de la luz está flojo.	Verifique la continuidad del cable desde la placa de procesador al transformador de la luz hasta la caja de la lámpara de halógeno.
	El transformador de la luz está defectuoso.	Verifique la entrada y salida de la corriente en el transformador de la luz. De ser necesario, reemplace el transformador de la luz.
La campana de extracción no está ventilando correctamente.	El panel de control o la placa de procesador están defectuosos.	Reemplace el panel de control o la placa de procesador.
	La campana de extracción no se encuentra instalada en el espacio recomendando por el fabricante.	Ajuste el espacio entre la campana y la parte superior de la estufa a 27" a 30". Para la campana de cocina de isla, el espacio entre la campana y la parte superior de la estufa deberá ser de 30" a 36"
	No hay aire de reposición en la casa.	Abra la ventana para optimizar el rendimiento de la campana de extracción creando suficiente aire de reposición.
	Una obstrucción bloquea la red de conductos.	Remueva todas las obstrucciones de la red de conductos.
Aire frío entra en la casa	El tamaño del tubo es más pequeño que el tubo recomendado.	Cambie los tubos de acuerdo con la recomendación del fabricante.
	La conexión de los conductos no está sellada correctamente.	Verifique la instalación de los tubos
	El regulador no está instalado adecuadamente o no ha sido instalado.	Verifique la instalación del regulador.
	El regulador no está instalado.	Instalar el regulador le ayudará a eliminar el reflujó de aire.

CLÁUSULA DE EXENCIÓN

1. **INSPECCIONE CUIDADOSAMENTE TODOS LOS ARTÍCULOS VERIFICANDO QUE NO EXISTAN DAÑOS ANTES DE ACEPTAR LA ENTREGA. ANOTE CUALQUIER DAÑO EN LA FACTURA DE TRANSPORTE O EN EL RECIBO. PIDA EL NOMBRE Y FIRMA DEL AGENTE DE TRANSPORTE Y CONSERVE UNA COPIA PARA RESPALDAR SU RECLAMO.**

Al momento de aceptar los artículos, el propietario asume la responsabilidad de que lleguen de manera segura. Reporte los daños al transportista y presente un reclamo inmediatamente. El no hacerlo podría resultar en un rechazo de su reclamo. El transportista le entregará los formularios necesarios para presentar un reclamo.

LOS DAÑOS CAUSADOS DURANTE EL TRANSPORTE NO SE ENCUENTRAN CUBIERTOS BAJO NUESTRA GARANTÍA.

2. **POR FAVOR, ¡INSPECCIONE LOS CONTENIDOS DEL PAQUETE(S) CUIDADOSAMENTE AL RECIBIRLOS!**

Se nos deberá notificar por escrito sobre cualquier daño y/o piezas faltantes dentro del periodo de días establecidos luego de haber recibido su paquete(s). Contacte a su distribuidor o concesionario KOBE o llame a KOBE para obtener información sobre el límite de tiempo.

LOS RECLAMOS NO SERÁN ACEPTADOS DESPUÉS DEL PERIODO DE DÍAS ESTABLECIDOS.

NOTA: LOS ARTÍCULOS FUERON SOMETIDOS A PRUEBAS Y EMPACADOS CUIDADOSAMENTE EN NUESTRA FABRICA ANTES DE SU ENVÍO.

3. Los productos deberán ser devueltos en buen funcionamiento con TODAS las piezas y documentación originales empacados en TODOS los cartones, rellenos y cajas de envío originales. Se cobrará una tarifa por reposición de existencias del 25% para todas las devoluciones aprobadas. **LOS CAMBIOS O DEVOLUCIONES PODRÍAN NO ACEPTARSE SI FALTARA ALGÚN MATERIAL DE EMPAQUE.**

4. **ASEGÚRESE DE INSPECCIONAR LA CAMPANA VERIFICANDO QUE NO EXISTAN DAÑOS O DEFECTOS ANTES DE INSTALARLA.** Las imperfecciones en la apariencia de la campana que se encuentren después de que ésta haya sido instalada y que no afecten el rendimiento de la misma, no se encuentran cubiertas bajo nuestra garantía sobre devoluciones o cambios. Las visitas de servicio que no se encuentran cubiertas bajo la garantía incurrirán un cargo por servicio.

A) Antes de la Instalación: Envíe de vuelta para cambio o reembolso (por favor consultar lo anterior para averiguar sobre las devoluciones aceptadas).

B) Después de la Instalación: **NO** habrá ningún cambio ni reembolso.

GARANTÍA

CERTIFICADO DE GARANTÍA

KOBE Range Hoods, Inc. garantiza que todos los productos fabricados o proporcionados por la compañía se encontrarán libres de defectos en cuanto a mano de obra y materiales. Sus obligaciones según esta garantía se encuentran limitadas a un periodo de dos años a partir de la fecha de compra y a reparar o reemplazar a su elección y sujeto a los términos y condiciones establecidas a continuación, cualquier pieza, que luego de ser examinada demuestre que estaba defectuosa.

PERIODO DE SERVICIO DE LA GARANTÍA DE DOS AÑOS

Cualquier avería cubierta que ocurra dentro de un periodo de dos años a partir de la fecha de compra original que surja a causa de mano de obra o material defectuoso de fábrica será reparada (o reemplazada a nuestra discreción) sin costo alguno por parte de un Agente autorizado de KOBE Range Hoods o KOBE Range Hoods según corresponda. Tenga a la mano un comprobante de compra (o la factura original) para su verificación.

Si la campana de extracción ha sido vendida por el comprador original durante el periodo de garantía, el nuevo propietario estará protegido hasta que la garantía del comprador original se venza.

CONDICIONES

Las siguientes condiciones aplican solamente en relación a la garantía otorgada explícitamente por este certificado.

- 1) Esta garantía aplica solamente:
 - a) dentro de EE.UU. y Canadá.
 - b) a las campanas de extracción de USO UNIFAMILIAR PRIVADO (si han sido utilizadas COMERCIALMENTE o USO MULTIFAMILIAR u otros propósitos, la garantía se anulará).
- 2) La reparación de cualquier avería a proporcionarse bajo esta garantía no se proporcionará:
 - a) si el número de identificación colocado en la campana de extracción ha sido alterado, se considera ilegible o ha sido removido;
 - b) si no se ha presentado una notificación del defecto dentro del periodo de tiempo correspondiente;
 - c) fallo de los focos de la luz o lámparas de calor;
 - d) por daños físicos;
 - e) por superficies dañadas por la utilización de agentes de limpieza químicos no adecuados;
 - f) si el aparato ha:
 - i) estado sujeto a uso inadecuado, abuso, negligencia, accidentes, instalación incorrecta o el no seguir las instrucciones de operación;
 - ii) sido conectado a fuentes eléctricas, conductos de extracción, tubos o cubierta de conductos inadecuados, incorrectos o defectuosos, u operado utilizando lubricantes contaminados o incorrectos;
 - iii) sido instalado, mantenido u operado de manera distinta a lo que se ha estipulado en las instrucciones proporcionadas por KOBE Range Hoods incluyendo el uso inadecuado de detergentes, blanqueadores o limpiadores.
 - g) por daños causados a la campana de extracción durante su transporte, entrega, instalación o al quitarla;
 - h) por daños causados por o que resulten de reparaciones conducidas por cualquier otra persona que no sea nuestro Agente de Servicio Autorizado.
 - i) ruido o vibración causada por una instalación incorrecta de la campana de extracción y/o el regulador.

- 3) El comprador será el responsable de cualquier gasto relacionado por hacer que la campana de extracción se encuentre disponible para que se le dé servicio y en caso de que la campana de extracción se encuentre instalada fuera del territorio de venta principal del minorista o el territorio de servicio del Agente autorizado de KOBE Range Hoods más cercano según corresponda, así como de cualquier gasto de viaje y cualquier costo de transporte de la campana de extracción y piezas desde y hacia el concesionario y Agente de Servicio.
- 4) El comprador deberá proporcionar un comprobante de compra junto con este certificado de garantía al presentar un reclamo.
- 5) Los daños causados durante el envío no se encuentran cubiertos bajo nuestra garantía.

DAÑOS EMERGENTES

El garante no se hace responsable por ningún daño emergente. ALGUNOS ESTADOS NO PERMITEN LA EXCLUSIÓN DE DAÑOS EMERGENTES ASÍ QUE LA EXCLUSIÓN ANTERIOR PODRÍA NO CORRESPONDERLE.

GARANTÍAS IMPLÍCITAS/LEY ESTATAL

Cualquier garantía implícita, incluyendo la garantía implícita de comerciabilidad y adecuación al objetivo, impuestas al momento de la venta por las leyes del estado de venta se encuentran limitadas a dos años a partir de la fecha original de compra. Algunos estados no permiten límites en cuanto a la duración de las garantías implícitas. Esta garantía le otorga derechos legales específicos y podría también incluir derechos, que varían de estado en estado.

SERVICIO

Para servicio contacte a:

KOBE Range Hoods
11775 Clark Street
Arcadia, CA 91006
U.S.A
Tel: (626) 775-8880
Correo electrónico: customer.service@KOBERangeHoods.com
Sitio de Internet: www.KOBERangeHoods.com

REGISTRO DEL PRODUCTO

¡Registre su Producto!

Cualquier avería cubierta que ocurra dentro de un periodo de dos años a partir de la fecha de compra original que surja a causa de mano de obra o material defectuoso de fábrica será reparada, o a nuestra discreción, la unidad será reemplazada sin costo alguno por parte de un Agente autorizado de KOBE Range Hoods o KOBE Range Hoods según corresponda. Tenga a la mano un comprobante de compra (factura original) para su verificación.

Si la campana de extracción ha sido vendida por el comprador original durante el periodo de garantía, el nuevo propietario estará protegido hasta que la garantía del comprador original se venza. Consulte la sección de la garantía para obtener la información completa sobre la cobertura de la garantía.

Este aparato ha sido fabricado, sometido a pruebas e inspeccionado según los estándares requeridos por KOBE Range Hoods.

POR FAVOR, ENVÍE POR CORREO SU TARJETA DE REGISTRO DE GARANTÍA Y EL COMPROBANTE DE COMPRA A:

KOBE Range Hoods
Warranty Registration
11775 Clark Street
Arcadia, CA 91006 U.S.A

ESCRIBA LA SIGUIENTE INFORMACIÓN PARA SUS ARCHIVOS:

Modelo No. _____

No. de Serie _____

Fecha de Compra ____ / ____ / __

Comprado En:

IMPORTANTE: POR FAVOR, TENGA A LA MANO UNA COPIA DE SU RECIBO DE VENTA O FACTURA AL SOLICITAR SERVICIO.

KOBE[®]
KOBE Range Hoods
11775 Clark Street
Arcadia, CA 91006, U.S.A.

<http://www.KOBERangeHoods.com>

Esta campana de extracción KOBE ha sido fabricada para ser utilizada únicamente en EE.UU. y CANADÁ. No recomendamos la utilización de esta campana en el extranjero debido a que la fuente de energía podría no ser compatible y podría violar el código eléctrico de dicho país. **Utilizar una campana KOBE en el extranjero será a su propio riesgo y anulará la garantía.**

Information subject to change without notice.

VER.091209

