

# **KOBE**® **KOBE Brand Range Hood**

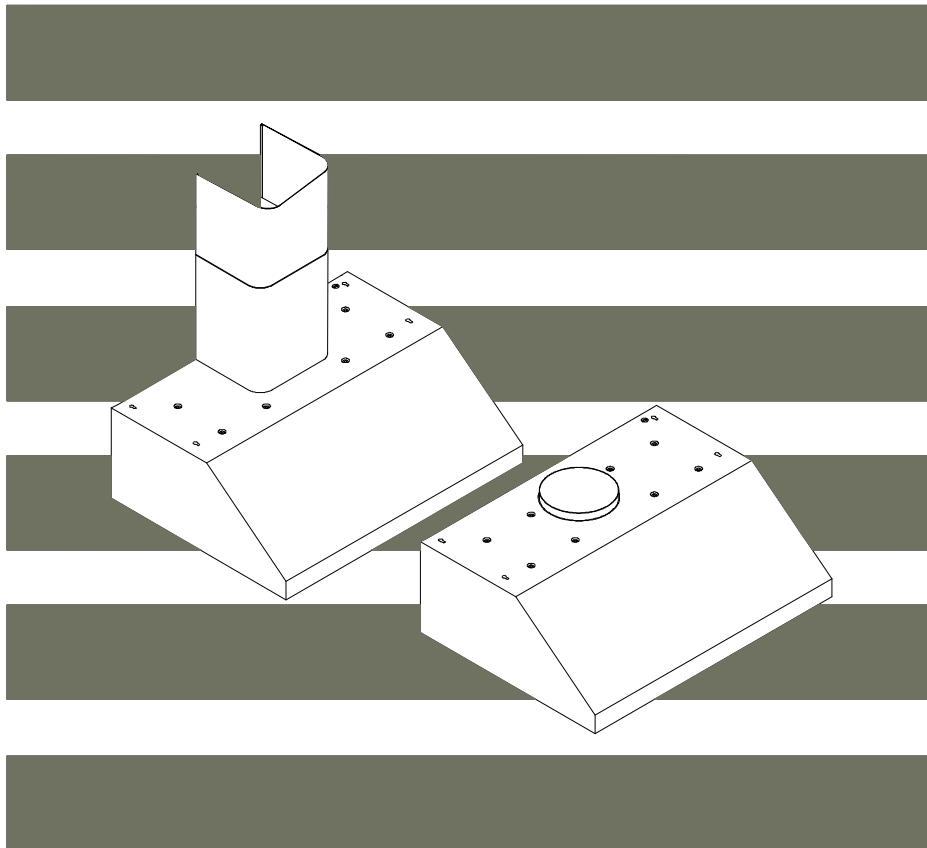
**Model No. CH7630SQB (30")**

**CH7636SQB (36")**

**CH7642SQB (42")**

**CH7648SQB (48")**

## **CH-176 SERIES – 10" HEIGHT**



**INSTALLATION INSTRUCTIONS  
AND OPERATION MANUAL**

- READ AND SAVE THESE INSTRUCTIONS -

**CONTENTS**

**IMPORTANT SAFETY INSTRUCTIONS.....1**  
**COMPONENTS OF PACKAGE.....3**  
**INSTALLATION .....4**  
    **UNDER THE CABINET INSTALLATION ..... 6**  
    **STAND ALONE INSTALLATION ..... 9**  
**OPERATION INSTRUCTIONS .....13**  
**MAINTENANCE .....15**  
**SPECIFICATIONS.....17**  
**MEASUREMENTS & DIAGRAMS.....18**  
**PARTS LIST .....23**  
**CIRCUIT DIAGRAM.....27**  
**TROUBLE SHOOTING .....29**  
**DISCLAIMER .....30**  
**WARRANTY .....31**  
**PRODUCT REGISTRATION.....33**

- READ ALL INSTRUCTIONS CAREFULLY BEFORE STARTING -

ALL WIRING MUST BE DONE BY A PROFESSIONAL AND IN ACCORDANCE WITH NATIONAL AND LOCAL ELECTRICAL CODES



## IMPORTANT SAFETY INSTRUCTIONS

- PLEASE READ THIS SECTION CAREFULLY BEFORE INSTALLATION -

**⚠WARNING:** TO REDUCE THE RISK OF FIRE, ELECTRIC SHOCK OR PERSONAL INJURY, OBSERVE THE FOLLOWING:

- 1) Installation and electrical wiring must be done by qualified professionals and in accordance with all applicable codes and standards, including fire-rated construction.
- 2) When cutting or drilling into wall or ceiling, be careful not to damage electrical wiring or other hidden utilities.
- 3) Ducted fans must be vented to the outside.
  - a) Before servicing or cleaning unit, open the light panel and SWITCH POWER OFF AT SERVICE PANEL.
  - b) Clean all grease laden surfaces frequently. To reduce the risk of fire and to disperse air properly, make sure to vent air outside. DO NOT vent exhaust air into wall spaces, attics, crawl spaces or garages.

NOTE - This warranty is invalid without an authorized agent's receipt or if unit is damaged due to misuse, poor installation, improper use, mistreatment, negligence or any other circumstances beyond the control of KOBE RANGE HOODS authorized agents. Any repair carried out without the supervision of KOBE RANGE HOODS authorized agents will automatically void the warranty.

- KOBE RANGE HOODS will not be held responsible for any damages to personal property or real estate or any bodily injuries whether caused directly or indirectly by the range hood.

**⚠WARNING:** TO REDUCE THE RISK OF PERSONAL INJURY IN THE EVENT OF A RANGE TOP GREASE FIRE:

- Keep all fan, baffle/spacer/filter/oil tunnel/oil container and grease-laden surfaces clean. Grease should not be allowed to accumulate on fan, baffle/spacer/filter/oil tunnel/oil container.
- Always turn hood ON when cooking.
- Use high settings on cooking range ONLY when necessary.
- Do not leave cooking range unattended when cooking.
- Always use cookware and utensils appropriate for the type and amount of food prepared.
- Use this unit only in the manner intended by the manufacturer.
- Before servicing, switch power off at service panel and lock service panel (if possible) to prevent power from switching on accidentally.
- Clean ventilating fan frequently.

### What to Do In The Event Of a Range Top Grease Fire

- SMOTHER FLAMES with a tight fitting lid, cookie sheet, or metal tray, and then turn off the burner. KEEP FLAMMABLE OR COMBUSTIBLE MATERIAL AWAY FROM FLAMES. If the flames do not go out immediately, EVACUATE THE AREA AND CALL THE FIRE DEPARTMENT or 911.
- NEVER PICK UP A BURNING PAN – You May Get Burned.
- DO NOT USE WATER, including wet dishcloths or towels – a violent steam blast will result.
- Use an extinguisher ONLY if:
  - a) You have a Class A, B, C extinguisher and know how to operate it.
  - b) The fire is small and contained in the area where it started.
  - c) The fire department has been called.
  - d) You can fight the fire with your back to an exit.

### What to Do If You Smell Gas

- Extinguish any open flame.
- Do not try to turn on the lights or any type of appliance.
- Open all doors and windows to disperse the gas. If you still smell gas, call the Gas Company and Fire Department right away.

## **⚠ CAUTION**

- 1) For general ventilation use only. Do not use to exhaust hazardous or explosive materials and vapors.
- 2) To reduce the risk of fire, use only metal ductwork. Sufficient air is needed for proper combustion and exhausting of gases through the flue (chimney) to prevent back drafting.
- 3) Follow the heating equipment manufacturer's guideline and safety standards such as those published by the National Fire Protection Association (NFPA), and the American Society for Heating, Refrigeration and Air Conditioning Engineers (ASHRAE), and code authorities.
- 4) Activating any switch on may cause ignition or an explosion.
- 5) Due to the size and weight of this hood, two people installation is recommended.

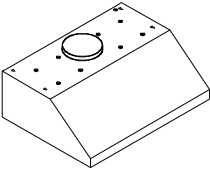


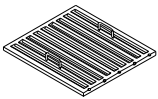
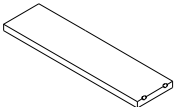
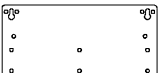

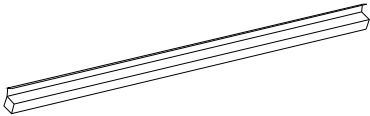
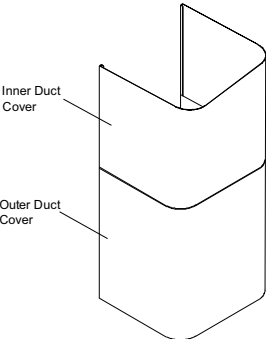
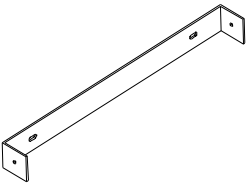
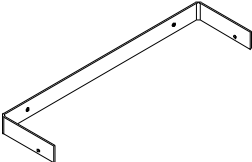

## **⚠ WARNING**



**ELECTRICAL SHOCK HAZARD – Can result in serious injury or death. Disconnect appliance from electric power before servicing. If equipped, the fluorescent light bulb contains small amounts of mercury, which must be recycled or disposed of according to Local, State, and Federal Codes.**

## COMPONENTS OF PACKAGE

(Must keep all material for returns or refunds)

Range Hood Box	Duct Cover Box – Model No.: CH1120DC (Sold Separately)
<p>{A} KOBE Range Hood                      {B} Warranty Registration Card                      {C} Instruction Manual                      {D} Baffle Filter                      -- 2 (30", 36", 42")                      -- 3 (48")                      {E} Stainless Steel Spacer                      -- 0 (30")                      -- 1 (36")                      -- 3 (42")                      -- 2 (48")                      {F} Hood-Mounting Bracket w/ Screws Set                      {G} Rubber Stand                      {H} Oil Tunnel</p>	<p>{I} KOBE Duct Cover                      (Model No. CH1120DC)                      {J} Inner Duct Cover-Mounting Bracket                      {K} Outer Duct Cover-Mounting Bracket                      {L} Screws Package</p>
<p>{A} </p> <p>{B} </p> <p>{C} </p> <p>{D} </p> <p>{E} </p> <p>{F}                       3/16" X 1/2" (8 pcs)</p> <p>{G}                       Rubber Stand (2 pcs)</p> <p>{H} </p>	<p>{I}                       Inner Duct Cover                      Outer Duct Cover</p> <p>{J} </p> <p>{K} </p> <p>{L}                       1/8" X 3/8" (4 pcs)</p>

◆ FOR MORE INFORMATION, PLEASE VISIT OUR WEBSITE [www.KOBERANGEHOODS.com](http://www.KOBERANGEHOODS.com) OR CONTACT KOBE RANGE HOODS AT (626) 775-8880.

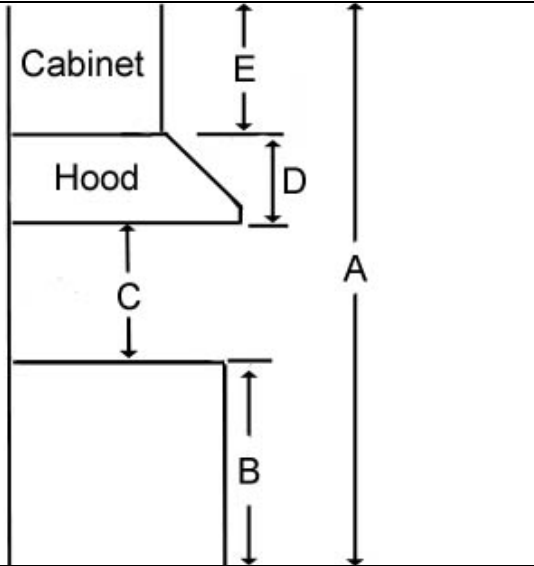
## INSTALLATION

PLEASE READ ENTIRE INSTRUCTIONS BEFORE PROCEEDING

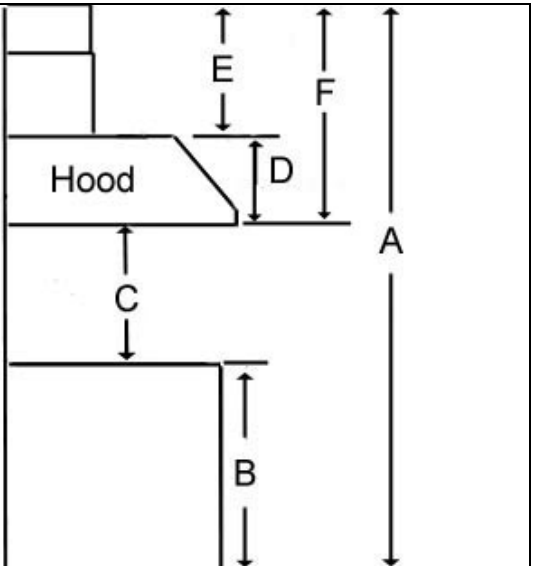
### Calculation before Installation

To calculate installation, please refer to TABLE 1 or TABLE 2. (All calculation in inches.)

#### - FOR UNDER THE CABINET -

<p><b>TABLE 1</b></p> <p>A = Height of Floor to Ceiling          B = Height of Floor to Counter Top          (Standard: 36")  <b>C = Preferred Height of Counter Top to Hood Bottom (Recommended 27" to 30")</b>          D = Height of Hood          E = Height of the Cabinet</p>	
---	---

#### - FOR STAND ALONE (WITH OPTIONAL DUCT COVER) -

<p><b>TABLE 2</b></p> <p>A = Height of Floor to Ceiling          B = Height of Floor to Counter Top (Standard: 36")  <b>C = Preferred Height of Counter Top to Hood Bottom (Recommended 27" to 30")</b>          D = Height of Hood          E = Height of Duct Cover [F – D]          F = Height of the Hood Installation          [A – (B+C)]</p>	
---	--

**⚠ SAFETY WARNING**

**HOOD MAY HAVE VERY SHARP EDGES; PLEASE WEAR PROTECTIVE GLOVES IF REMOVING ANY PARTS FOR INSTALLING, CLEANING OR SERVICING.**

**NOTE: BE CAREFUL WHEN USING ELECTRICAL SCREWDRIVER, DAMAGE TO THE HOOD MAY OCCUR.**

Installation Contents

**UNDER THE CABINET INSTALLATION .....6**

- PREPARATION BEFORE INSTALLATION ..... 6**
- HOOD INSTALLATION..... 6**
- DUCTWORK INSTALLATION ..... 7**
- WIRING TO POWER SUPPLY..... 7**
- ACCESSORIES ..... 8**
- FINAL ASSEMBLY..... 8**

**STAND ALONE INSTALLATION .....9**

- PREPARATION BEFORE INSTALLATION ..... 9**
- HOOD PREPARATION BEFORE INSTALLATION ..... 9**
- HOOD INSTALLATION..... 9**
- WIRING TO POWER SUPPLY..... 10**
- DUCT COVER INSTALLATION..... 11**
- ACCESSORIES ..... 11**
- FINAL ASSEMBLY..... 12**

## UNDER THE CABINET INSTALLATION

### Preparation before Installation

NOTE: TO AVOID DAMAGE TO YOUR HOOD, PREVENT DEBRIS FROM ENTERING THE VENT OPENING.

- ① Decide the location of the venting pipe from the hood to the outside. Refer to Figure 1.
- ① A straight, short vent run will allow the hood to perform more efficiently.
- ① Try to avoid as many transitions, elbows, and long run as possible. This may reduce the performance of the hood.
- ① Temporarily wire the hood to test for proper operation before installing.
- ① **Important: Peel protective film off the hood, if any.**
- ① Use duct tape to seal joints between pipe sections.
- ① For installing under the cabinet with recessed bottom, attach 4-inch wide wood filler strips (not provided) on each side. Refer to Figure 2.
- ① Using references in TABLE 1 and Measurements and Diagrams on page 18, create access opening for electrical wires and hood exhaust under the cabinet.

### Hood Installation

**CAUTION:** If moving the cooking range is necessary to install the hood, turn off the power on an electric range at the main electrical box. **SHUT OFF THE GAS BEFORE MOVING A GAS RANGE.**

1. Puncture the knockout holes (for mounting under the cabinet) on the hood as shown in Figure 3.
2. If necessary, attach two rubber stands (provided) with 3M adhesive tapes (provided) to the back corners of the hood.
3. Using references in TABLE 1 and Measurements and Diagrams on page 18 center the hood beneath the cabinet and flush with the front of the cabinet.

Figure 1

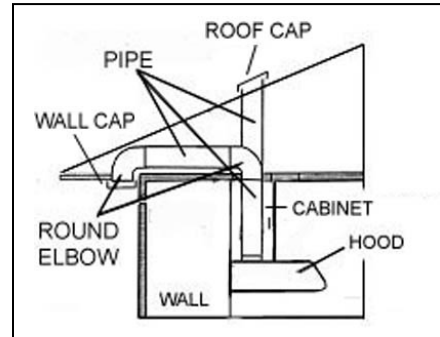


Figure 2

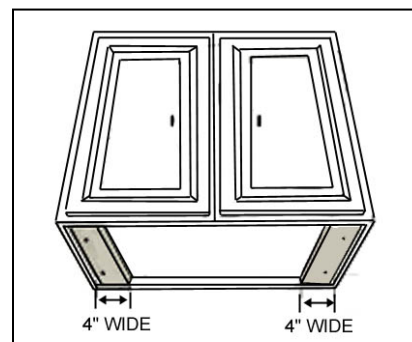
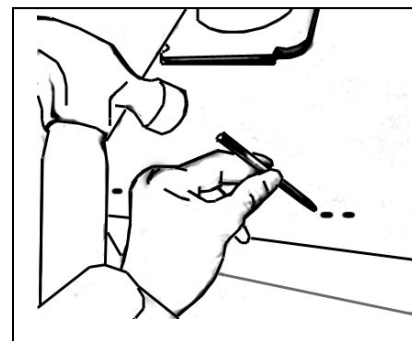


Figure 3



4. Draw electrical wires through cabinet access opening.
5. From inside of the hood, place screw (not provided) into the exact center of each knockout hole and secure to cabinet bottom. Once all mounting screws are in place, finish tightening screws until secure.

**⚠ CAUTION: MAKE SURE THE HOOD IS SECURE BEFORE RELEASING.**

6. For safety purpose, pre-drilled mounting holes are provided through the back of the hood. For a more secure installation, use as many mounting holes as needed to secure from the inside of hood (screws not provided).

### Ductwork Installation

7. Use 7" round steel pipe (follow building codes in your area) to connect the exhaust on the hood to the ductwork above. Use duct tape to make all joints secure and air tight. Refer to Figure 4.

### Wiring to Power Supply

**⚠ SAFETY WARNING**  
**RISK OF ELECTRICAL SHOCK. THIS RANGE HOOD MUST BE PROPERLY GROUNDED. MAKE SURE THIS IS DONE BY QUALIFIED ELECTRICIAN IN ACCORDANCE WITH ALL APPLICABLE NATIONAL AND LOCAL ELECTRICAL CODES. BEFORE CONNECTING WIRES, SWITCH POWER OFF AT SERVICE PANEL AND LOCK SERVICE PANEL TO PREVENT POWER FROM BEING SWITCHED ON ACCIDENTALLY.**

8. Connect the electrical wires.
  - Connect three wires (black, white and green) to house wires and cap with wire connectors. Connect according to color: black to black, white to white, and green to green as shown in Figure 5.
  - Store wires in the wiring box.

Figure 4

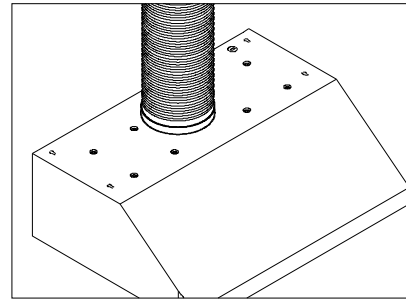


Figure 5

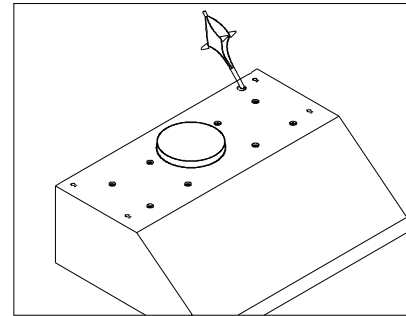
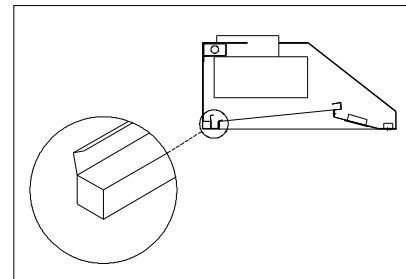


Figure 6



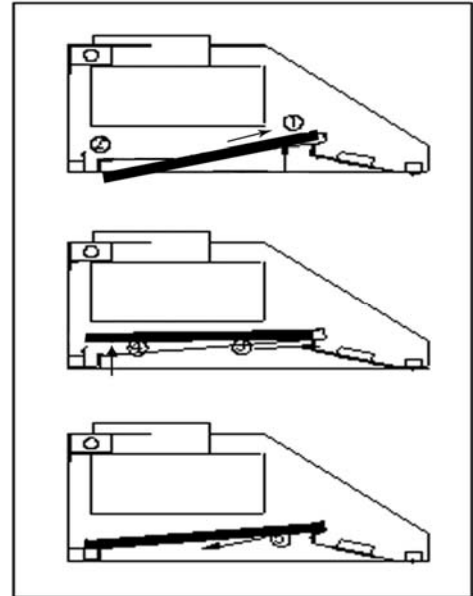
## Accessories

9. Drop oil tunnel into recess support near rear of hood. Refer to Figure 6.
10. Install baffle filters and stainless spacer(s). Refer to Measurements and Diagrams on page 22 for baffle filter and stainless spacer placement. Angle baffle filter toward back of hood ①. Push baffle filter up until almost level ②. Slide forward into recess behind the front of hood ③. Lower baffle filter ④. Slide back until it fits into resting position ⑤. Refer to Figure 7.
11. Repeat step 10 to install all baffle filters and stainless spacer(s).

## Final Assembly

12. Turn power ON in control panel. Check all light and fan operation.
13. Make sure to leave this manual for the homeowner.

Figure 7



## STAND ALONE INSTALLATION

\*\*\* This installation only applies if installing with the CH1120DC duct cover.

### Preparation before Installation

NOTE: TO AVOID DAMAGE TO YOUR HOOD, PREVENT DEBRIS FROM ENTERING THE VENT OPENING.

- ① Decide the location of the venting pipe from the hood to the outside. (Figure 8)
- ① A straight, short vent run will allow the hood to perform more efficiently.
- ① Try to avoid as many transitions, elbows, and long run as possible. This may reduce the performance of the hood.
- ① Temporarily wire the hood to test for proper operation before installing.
- ① **Important: Peel protective film off the hood and duct covers, if any.**
- ① Use duct tape to seal joints between pipe sections.
- ① If necessary, prepare back wall frame with cross framing lumber for secure installation.
- ① Using references in TABLE 2 and measurements on pages 19-21, determine the level of the lumber. (Figure 9)

### Hood Preparation before Installation

- ① If necessary, attach two rubber stands (provided) with 3M adhesive tapes (provided) to the back corners of the hood.
- ① Attach the outer duct cover-mounting bracket {K} (provided) to the hood-mounting bracket {F} (provided) with two (3/16" x 1/2") screws (provided) as shown in Figure 10.
- ① Attach the hood-mounting bracket {F} to the back of the hood with six (3/16" x 1/2") screws (provided) as shown in Figure 11.

### Hood Installation

**⚠ CAUTION:** If moving the cooking range to install the hood is necessary, turn off the power on an electric range at the main electrical box. **SHUT OFF THE GAS BEFORE MOVING A GAS RANGE.**

Figure 8

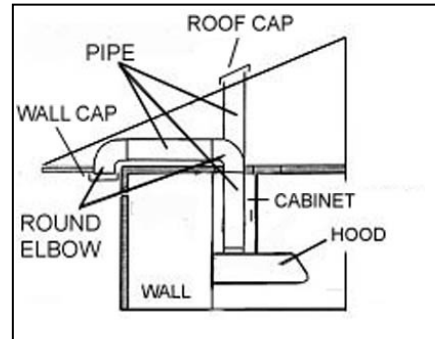


Figure 9

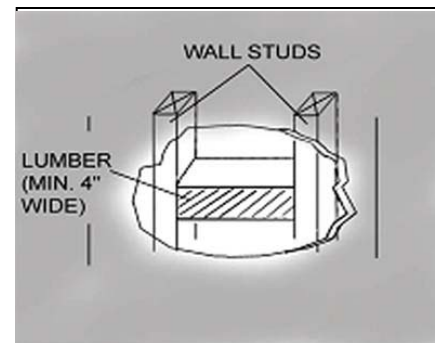


Figure 10

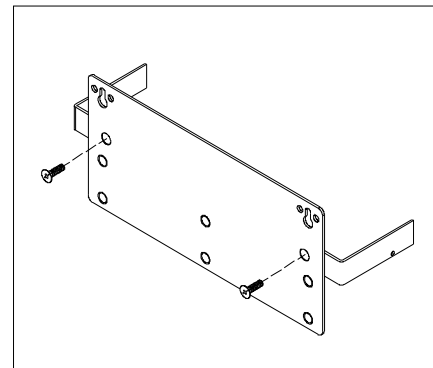
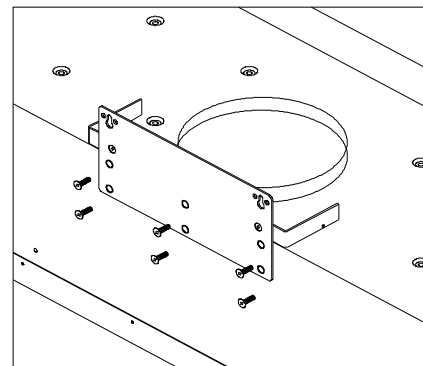


Figure 11



1. Using references in TABLE 1 and Measurements and Diagrams on pages 19-21, mark the leveling point of the hood. Position two mounting screws (not provided) on the wall, leaving 1/8" space away from the wall.
2. Puncture the knockout wire access hole at the back of the hood and draw the electrical wires through as shown in Figure 12.
3. Align hood-mounting bracket to the screws on the wall and hook hood into place as shown in Figure 13. Tighten screws to secure hood to the wall.
4. For safety purpose, pre-drilled mounting holes are provided through the back of the hood. For a more secure installation, use as many mounting holes as needed to secure from the inside of hood (screws not provided).

**⚠ CAUTION: MAKE SURE HOOD IS SECURE BEFORE RELEASING.**

### Wiring to Power Supply

#### **⚠ SAFETY WARNING**

**RISK OF ELECTRICAL SHOCK. THIS RANGE HOOD MUST BE PROPERLY GROUNDED. MAKE SURE THIS IS DONE BY QUALIFIED ELECTRICIAN IN ACCORDANCE WITH ALL APPLICABLE NATIONAL AND LOCAL ELECTRICAL CODES. BEFORE CONNECTING WIRES, SWITCH POWER OFF AT SERVICE PANEL AND LOCK SERVICE PANEL TO PREVENT POWER FROM BEING SWITCHED ON ACCIDENTALLY.**

5. Connect the electrical wires.
  - Connect three wires (black, white and green) to house wires and cap with wire connectors. Connect according to color: black to black, white to white, and green to green as shown on Figure 14.
  - Store wires in the wiring box.

Figure 12

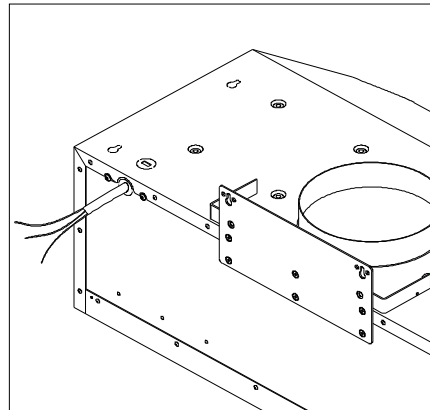


Figure 13

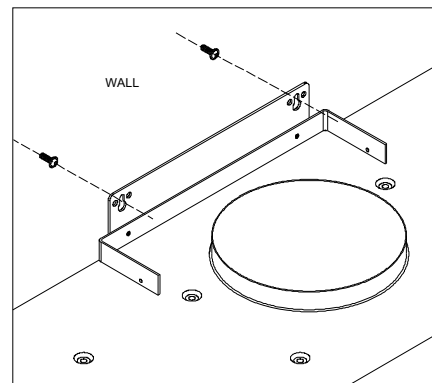
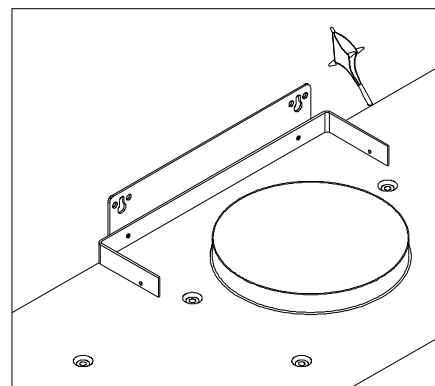


Figure 14



## Duct Cover Installation

6. Mark the position of the inner duct cover-mounting bracket {J} (provided). Use reference **E** from TABLE 2 and Measurements and Diagrams on page 20-21. Attach and secure inner duct cover-mounting bracket {J} with two screws (not provided) to the wall. Refer to Figure 15. NOTE: Inner duct cover will be attached to the mounting bracket.
7. Use 7" round steel pipe (follow building codes in your area) to connect the round exhaust on the hood to the ductwork above. Use duct tape to make all joints secure and air tight.
8. Slide the inner duct cover up 2 inches before sliding the entire duct cover onto the hood. Refer to Figure 16.
9. Adjust the height of the inner duct cover to the inner duct cover-mounting bracket {J}. Secure the inner duct cover with two (1/8" x 3/8") screws (provided).
10. Fasten outer duct cover to outer duct cover-mounting bracket {K} with two (1/8" x 3/8") screws (provided) as shown in Figure 17.

## Accessories

11. Drop oil tunnel into recess support near rear of hood. Refer to Figure 18.
12. Install baffle filters and stainless spacer(s). Refer to Measurements and Diagrams on page 22 for baffle filter and stainless spacer placement. Angle baffle filter toward back of hood ①. Push baffle filter up until almost level ②. Slide forward into recess behind the front of hood ③. Lower baffle filter ④. Slide back until it fits into resting position ⑤. Refer to Figure 19.
13. Repeat step 12 to install all baffle filters and stainless spacer(s).

Figure 15

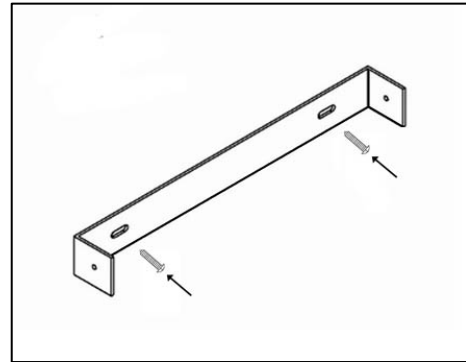


Figure 16

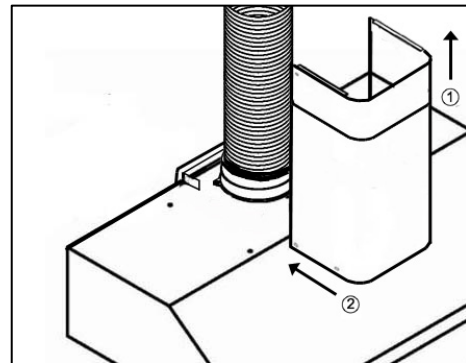


Figure 17

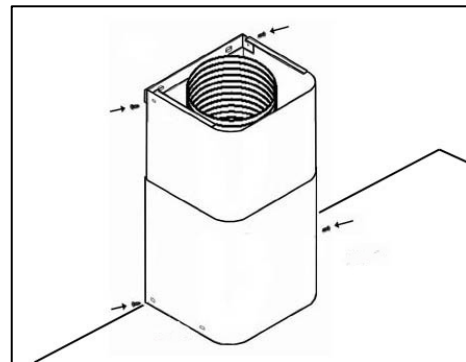
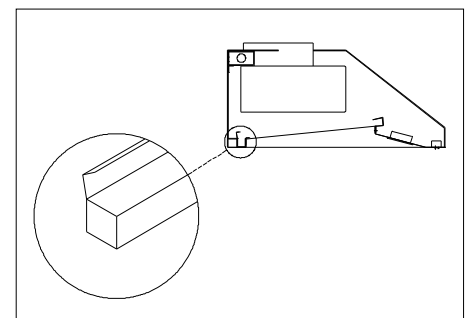


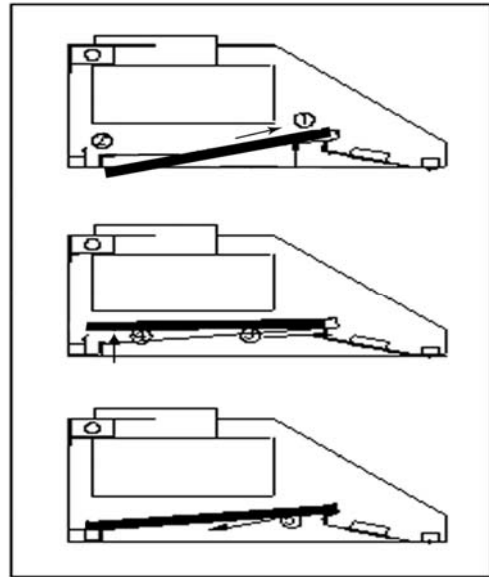
Figure 18



## Final Assembly

Figure 19

14. Turn power ON in control panel. Check all light and fan operation.
15. Make sure to leave this manual for the homeowner.

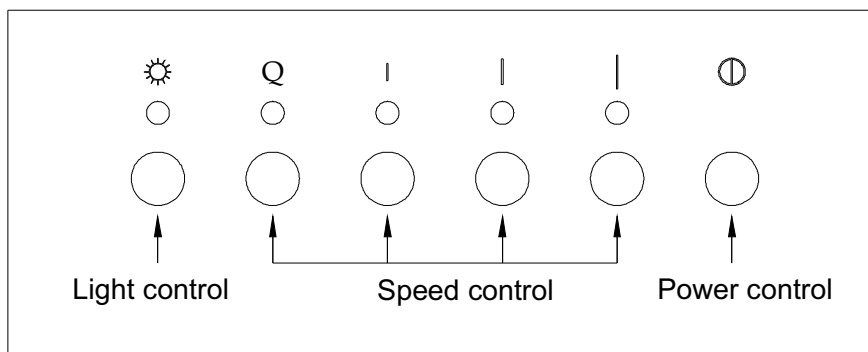


## OPERATION INSTRUCTIONS

This KOBE hood is equipped with six electronic controls, two powerful centrifugal squirrel cages with stainless steel oil tunnel, stainless steel baffle filters and spacer(s), and bright 12-volt 20-watt halogen lights (2 for 30" & 36" and 3 for 42" & 48").

The six electronic buttons control the Light, Speed (QuietMode™, Low, Medium & High) and Power (On/Off). The Power Control offers a 10-second delay startup, 3-minute delay shutoff or immediate shutoff. The Light Control operates independently from the Power Control and is not affected by the delay startup or shutoff. (Fig. 20)

**Figure 20**

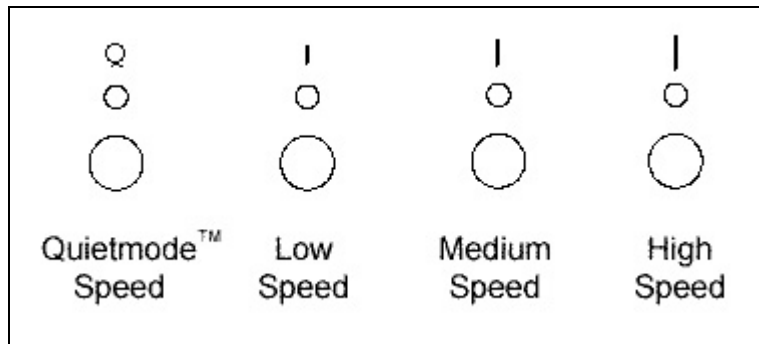


### Turning Fan ON:

Always turn fans on before cooking to establish air flow and allow fans to run for a few minutes after cooking for cleaner air in the kitchen. The Power Control (On/Off) button must be pressed before a Speed Control button can be activated.

- Press the Power Control (On/Off) button once. The four LED lights above the Speed Controls will flash, if a Speed Control button is not pressed within 10 seconds, power will be automatically released. Note: The light setting will not be affected by the Power Control (On/Off) button.
- Press a Speed Control button to activate the desired speed (the LED light above the button will light up).
- To change the fan speed, press the button for the desired speed. The LED light above the speed button will indicate fan speed.

**Figure 21**



Turning Fan OFF:

The 3-Minute Delay function will only turn off fans. The light settings will not be affected by the delay function.

3-Minute Delay

- Press Power Control (On/Off) button once, the LED light for the active speed will flash and fans will shut off after 3 minutes.
- During this 3-minute delay, changing speeds will not affect the 3 minute countdown.

Immediate Shutoff

- Press Power Control (On/Off) button twice, the fans will be shut off immediately.

Light Control:

Light Control operates independently from the Power Control (On/Off) and 3-Minute Delay. Pressing the Power Control button or activating the delay function will not turn halogen lights on or off. The light has three settings: High, Low and Off.

- Press the Light Control button to turn halogen lights On.
- Pressing the Light Control button again will change the setting to Low.
- Each press of the Light Control button will cycle the light intensity through High, Low, and Off.

## MAINTENANCE

### SAFETY WARNING

NEVER PUT YOUR HAND INTO AREA HOUSING THE FAN WHILE THE FAN IS OPERATING.

### Cleaning Hood Surface

 **CAUTION:** NEVER USE ABRASIVE CLEANERS, PADS, OR CLOTHS. DO NOT USE PAPER TOWEL ON STAINLESS STEEL.

For optimal operation, clean range hood and all baffle/spacer/filter/oil tunnel/oil container regularly.

\*\*\* Regular care will help preserve the appearance of the hood.

1. Use only mild soap or detergent solutions. Dry surfaces using soft cloth.
2. If hood looks splotchy (stainless steel hood), use a stainless steel cleaner to clean the surface of the hood. Avoid getting cleaning solution onto or into the control panel. Follow directions of the stainless steel cleaner. **Caution: Do not leave on too long as this may cause damage to hood finish.** Use soft towel to wipe off the cleaning solution, gently rub off any stubborn spots. Use dry soft towel to dry the hood.
3. DO NOT allow deposits to accumulate or remain on the hood.
4. DO NOT use ordinary steel wool or steel brushes. Small bits of steel may adhere to the surface and cause rusting.
5. DO NOT allow salt solutions, disinfectants, bleaches, or cleaning compounds to remain in contact with stainless steel for extended periods. Many of these compounds contain chemicals, which may be harmful. Rinse with water after exposure and wipe dry with a clean lint free cloth.

### To Clean Baffle, Spacer, Filter, Oil Tunnel and Oil Container

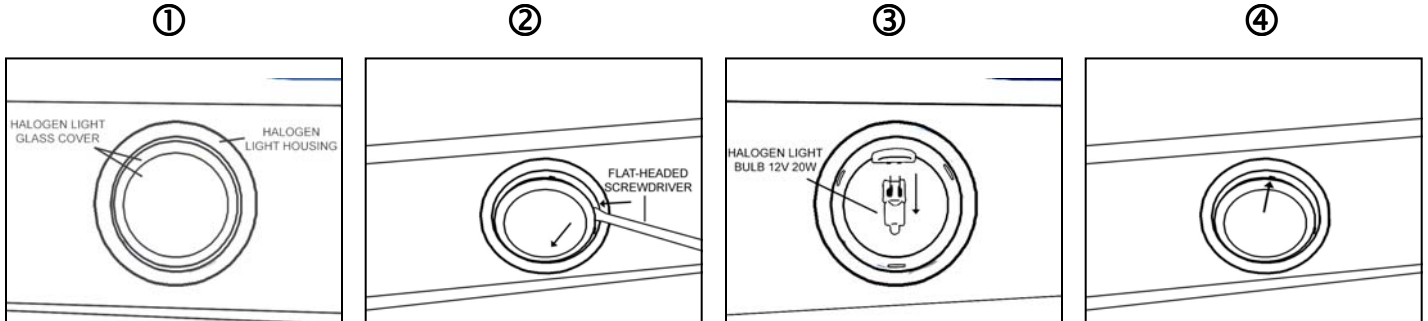
 **CAUTION:** DRAIN OIL FROM BAFFLES, SPACER(S), FILTERS, OIL TUNNEL(S) AND OIL CONTAINERS BEFORE OIL AND RESIDUE CAN OVERFLOW.

1. Remove all baffles, spacer(s), filters, oil tunnel(s), and oil containers. Follow directions for installation in reverse.
2. Discard oil and residue.
3. Wash with warm soapy water. Dry thoroughly before replacing.  
(Note: *Stainless Steel Baffles, Spacer(s) & Oil Tunnel are top rack dishwasher safe.*)

## To Replace Light Bulb

**CAUTION: HALOGEN LIGHT UNIT MAY BE HOT! WAIT UNTIL UNIT IS COOL.**

**NOTE: DO NOT TOUCH HALOGEN LIGHT WITH BARE HANDS, WHICH MIGHT CAUSE OVER HEAT AND SHORTEN THE LIFE OF LIGHT BULBS.**



1. Make sure all controls are OFF, and range hood is unplugged.
2. Place the flat-head screwdriver into the groove between the halogen light glass covering and the housing ①.
3. Gently separate glass covering from the housing ②.
4. Gently pull out the defective light bulb ③ and discard. Light bulbs should be 12V 20W maximum.
5. Wear a glove or use a cloth to hold the new light bulb and push securely into light socket. NOTE: DO NOT PUSH TOO HARD OR YOU MAY BREAK THE BULB CONNECTOR.
6. Put back halogen light glass cover ④.
7. Plug back power cord and turn on range hood to test for operation.

## SPECIFICATIONS

<b>MODEL / SIZE</b>	CH7630SQB / 30" CH7636SQB / 36" CH7642SQB / 42" CH7648SQB / 48"			
<b>COLOR</b>	Commercial Grade Stainless Steel			
<b>CONSUMPTION / AMPERE</b>	CH7630SQB – 300W / 3A CH7636SQB – 300W / 3A CH7642SQB – 300W / 3A CH7648SQB – 300W / 3A			
<b>VOLTAGE</b>	120V 60Hz			
<b>NUMBER OF MOTORS</b>	2			
<b>DESIGN</b>	Seamless / Satin Finish			
<b>FAN TYPE</b>	Twin Vertical Squirrel Cage			
<b>EXHAUST</b>	Top 7" Round			
<b>CONTROLS</b>	Six Electronic Buttons			
<b>HALOGEN LIGHTS</b>	CH7630SQB - 12V 20W x 2 CH7636SQB - 12V 20W x 2 CH7642SQB - 12V 20W x 3 CH7648SQB - 12V 20W x 3			
<b>HOOD DIMENSION (W x D x H)</b>	(CH7630SQB) 29-3/4" x 22" x 10" (CH7636SQB) 35-3/4" x 22" x 10" (CH7642SQB) 41-3/4" x 22" x 10" (CH7648SQB) 47-3/4" x 22" x 10"			
<b>WEIGHT (lbs)</b>		<u><b>Net</b></u>	<u><b>Gross</b></u>	
	<b>(CH7630SQB)</b>	49	58	
	<b>(CH7636SQB)</b>	53	64	
	<b>(CH7642SQB)</b>	62	75	
	<b>(CH7648SQB)</b>	69	84	
<b>SPEED</b>	<b>QuietMode™</b>	<b>Low</b>	<b>Medium</b>	<b>High</b>
<b>Air Capacity (cfm)*</b>	385	460	560	700
<b>Sone(dB)</b>	1.2(42)	3.0(56)	4.0(60)	5.0(64)

\*In House Test Static Pressure "0".

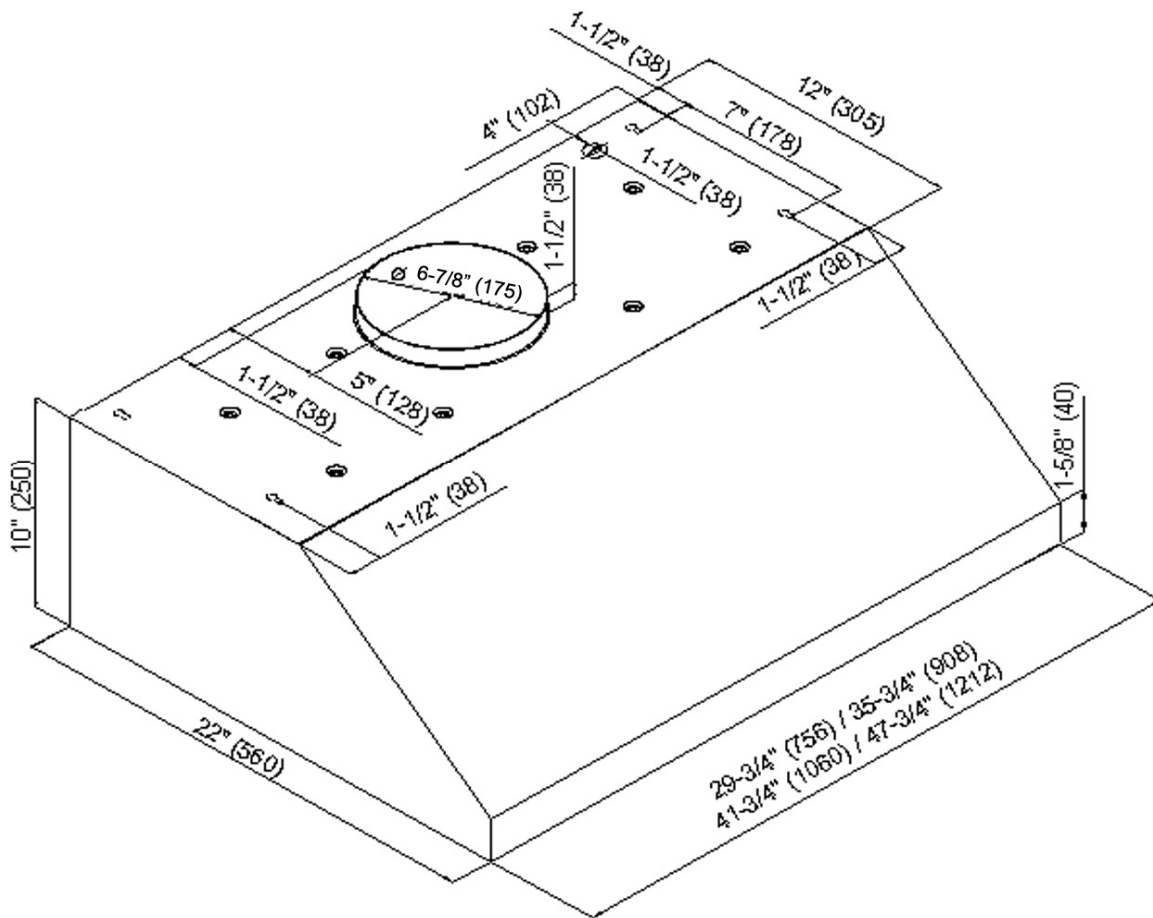
\*\*Specifications information is subject to change without notice.

## MEASUREMENTS & DIAGRAMS

- ◆ All ( ) are in millimeter.
- ◆ All inch measurements are converted from millimeters. Inch measurements are estimated.

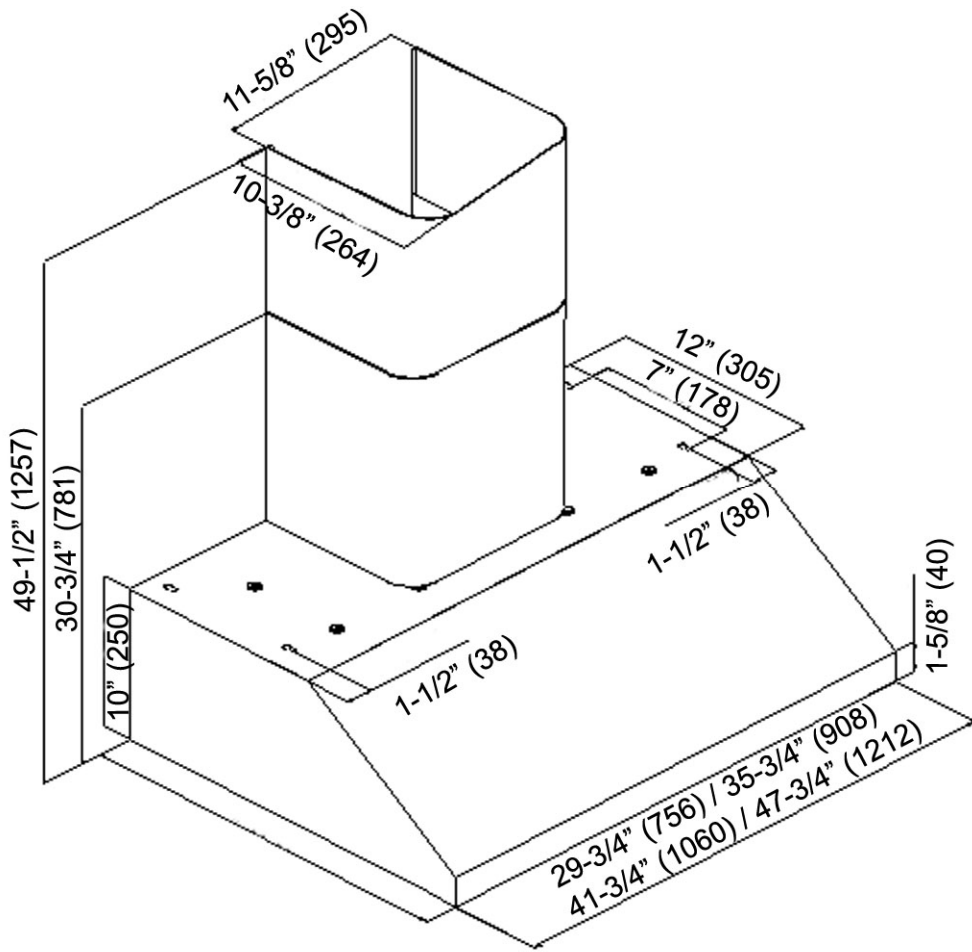
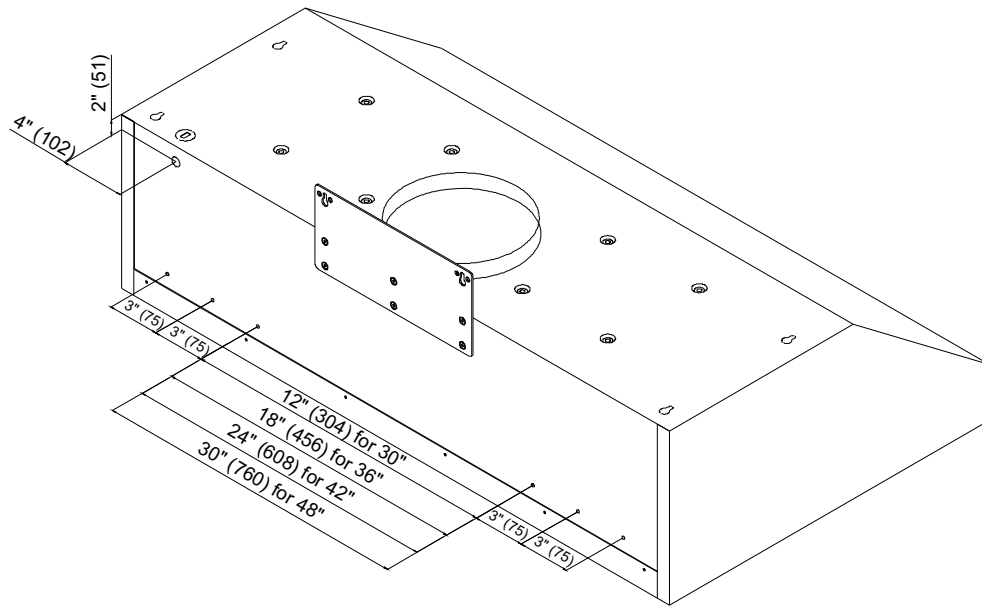
- FOR UNDER THE CABINET -

MODEL NO: CH7630SQB  
CH7636SQB  
CH7642SQB  
CH7648SQB

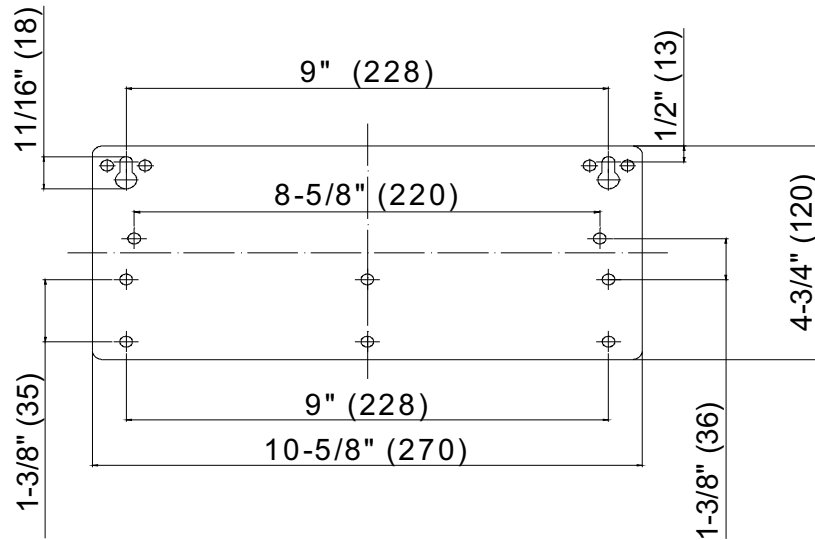




# Rear Knockout Holes



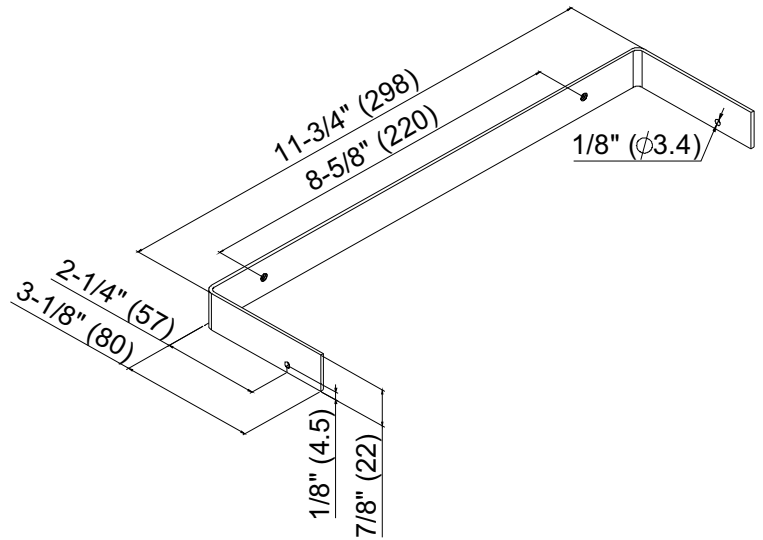
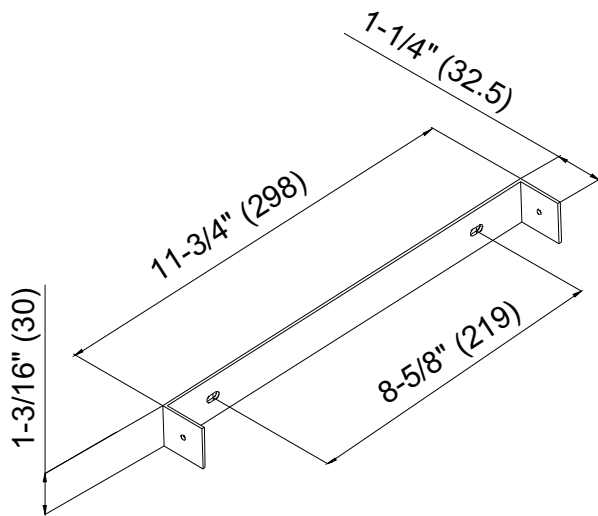
## Hood-Mounting Bracket



## DUCT COVER-MOUNTING BRACKET

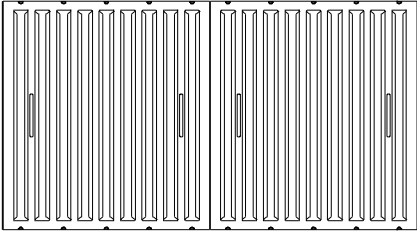
Inner Duct Cover-Mounting Bracket

Outer Duct Cover-Mounting Bracket

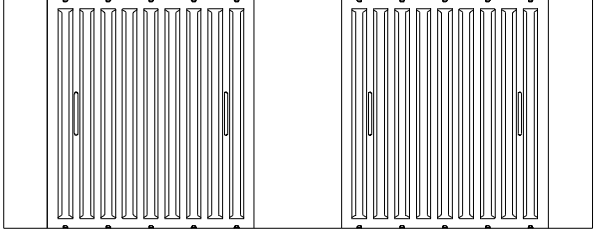


**BAFFLE FILTER & STAINLESS STEEL SPACERS**

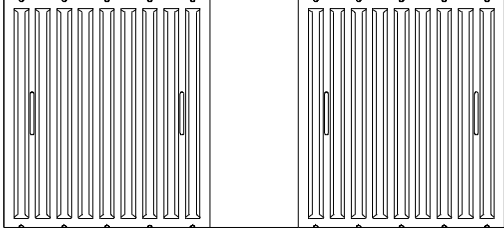
30" H00D



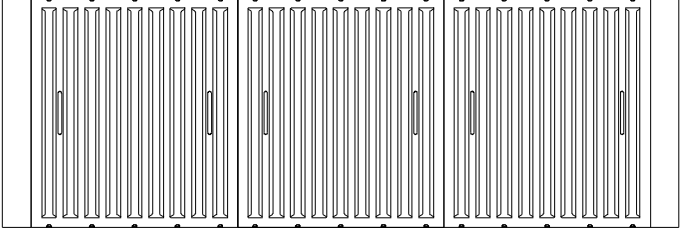
42" H00D



36" H00D



48" H00D

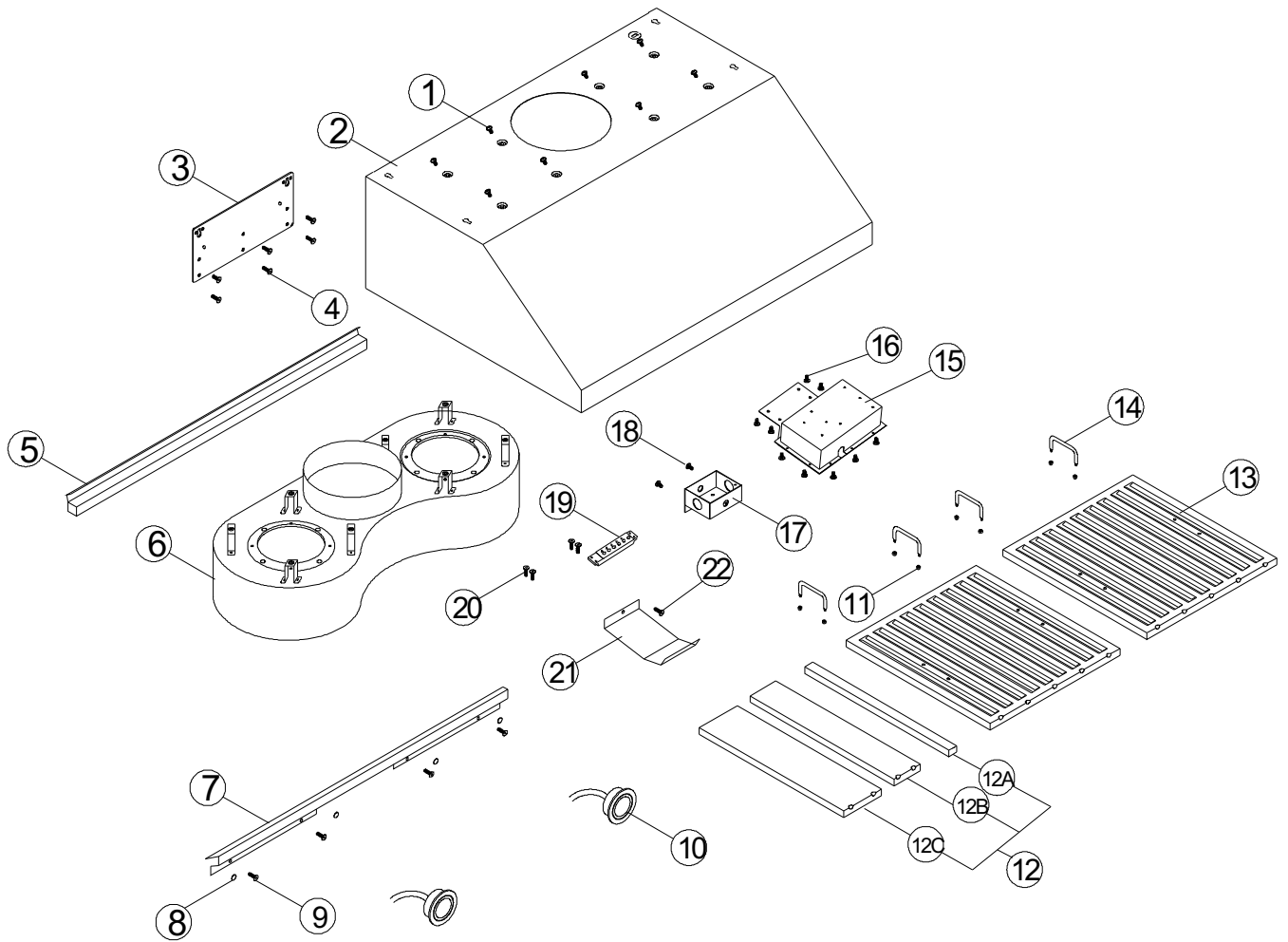


**PARTS LIST**

**MODEL NO.:** CH7630SQB  
CH7636SQB  
CH7642SQB  
CH7648SQB

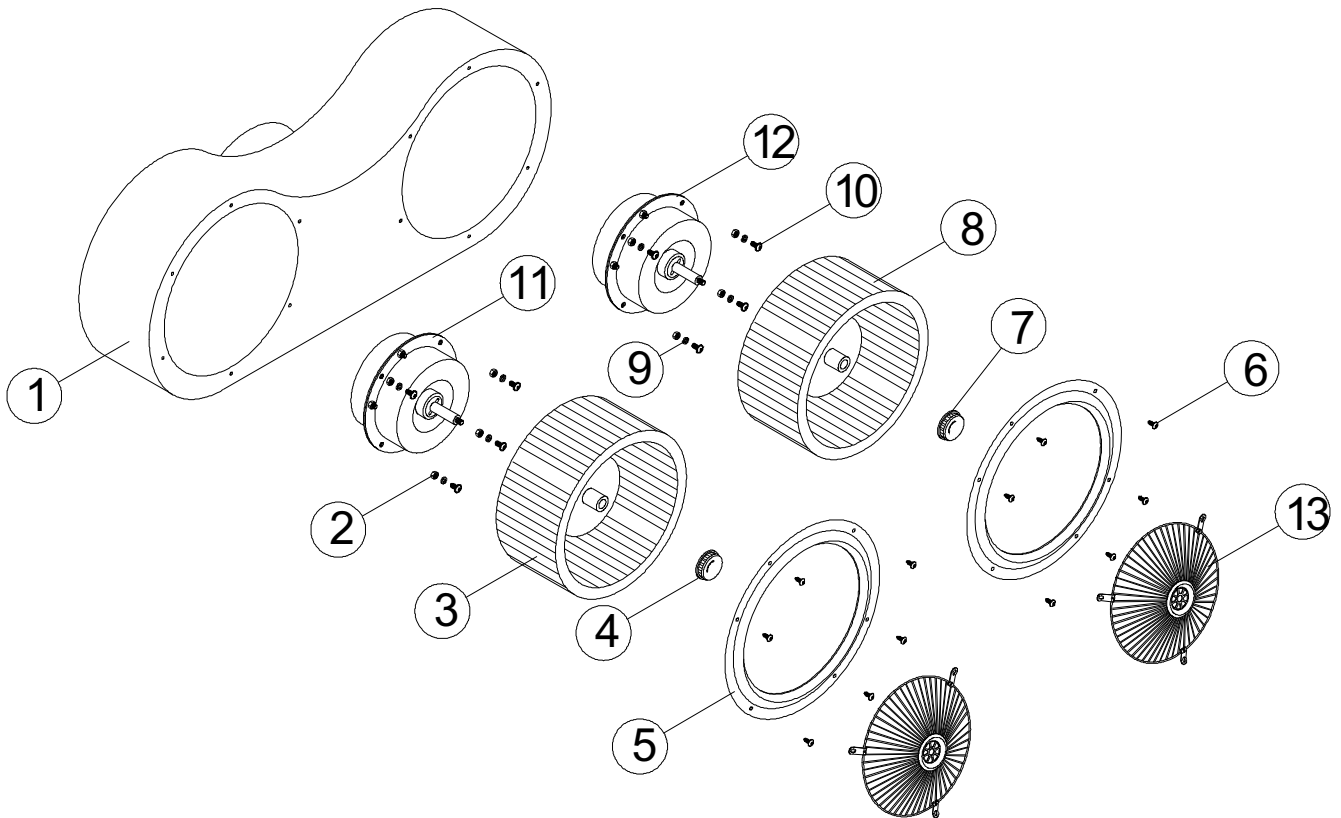
**Body Components**

<b>NO.</b>	<b>DESCRIPTION</b>	<b>MODEL/SIZE</b>	<b>PART NO.</b>
1	Screws (3/16" x 3/8")		CH176-1
2	Hood Casing		CH176-2
3	Hood-Mounting Bracket		CH176-3
4	Screws (3/16" x 3/8")		CH176-1
5	Stainless Steel Oil Tunnel		CH176-4
6	Blower Assembly		CH176-5
7	Halogen Light Panel		CH176-6
8	Gasket		CH176-7
9	Screws (3/16" x 3/8")		CH176-1
10	Halogen Light		CH176-9
11	Gasket		CH176-8
12	Stainless Steel Spacer		
A		CH7636SQB	CH176-11
B		CH7642SQB	CH176-12
C		CH7648SQB	CH176-18
13	Baffle Filter		CH176-13
14	Baffle Handle		CH176-14
15	Electrical Assembly		CH176-15
16	Screws (3/16" x 3/8")		CH176-1
17	Wiring Box		CH176-16
18	Screws (3/16" x 3/8")		CH176-1
19	Switch Assembly		CH176-17
20	Screws (3/16" x 3/8")		CH176-1
21	Board		CH176-18
22	Screws (3/16" x 3/8")		CH176-1



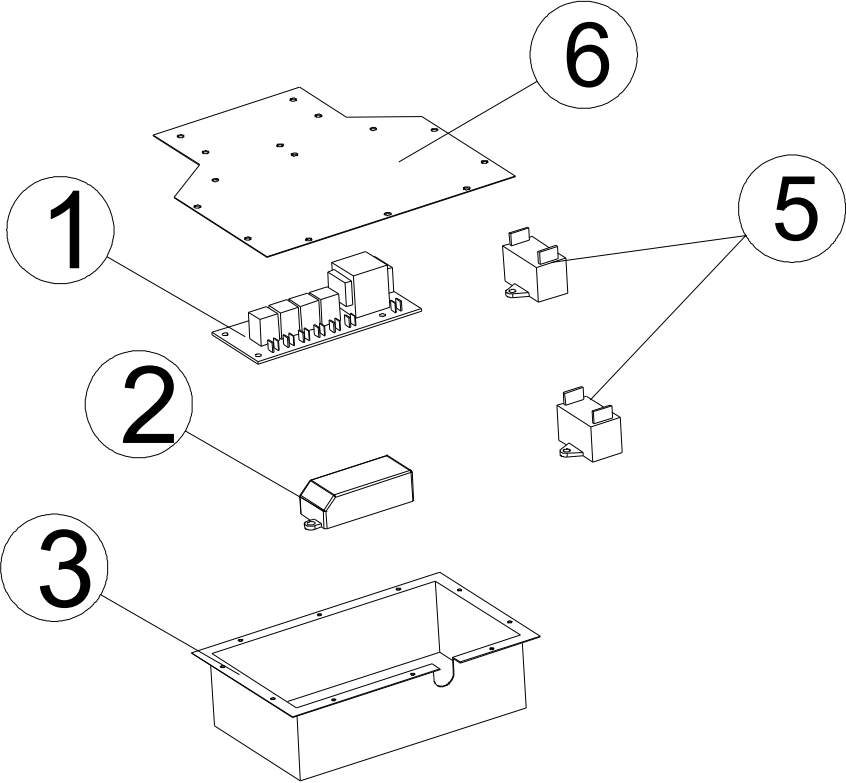
## Blower Assembly

NO.	DESCRIPTION	MODEL/SIZE	PART NO.
1	Air Chamber		CH176-6.1
2	Screw Cap		CH176-6.2
3	Left Squirrel Cage		CH176-6.3
4	Left Locknut		CH176-6.4
5	Air Flow Grill		CH176-6.5
6	Screws (3/16" x 3/8")		CH176-6.6
7	Right Locknut		CH176-6.7
8	Right Squirrel Cage		CH176-6.8
9	Gasket		CH176-6.9
10	Screws (3/16" x 3/8")		CH176-6.10
11	Left Motor		CH176-6.11
12	Right Motor		CH176-6.12
13	Safety Screen		CH176-6.13



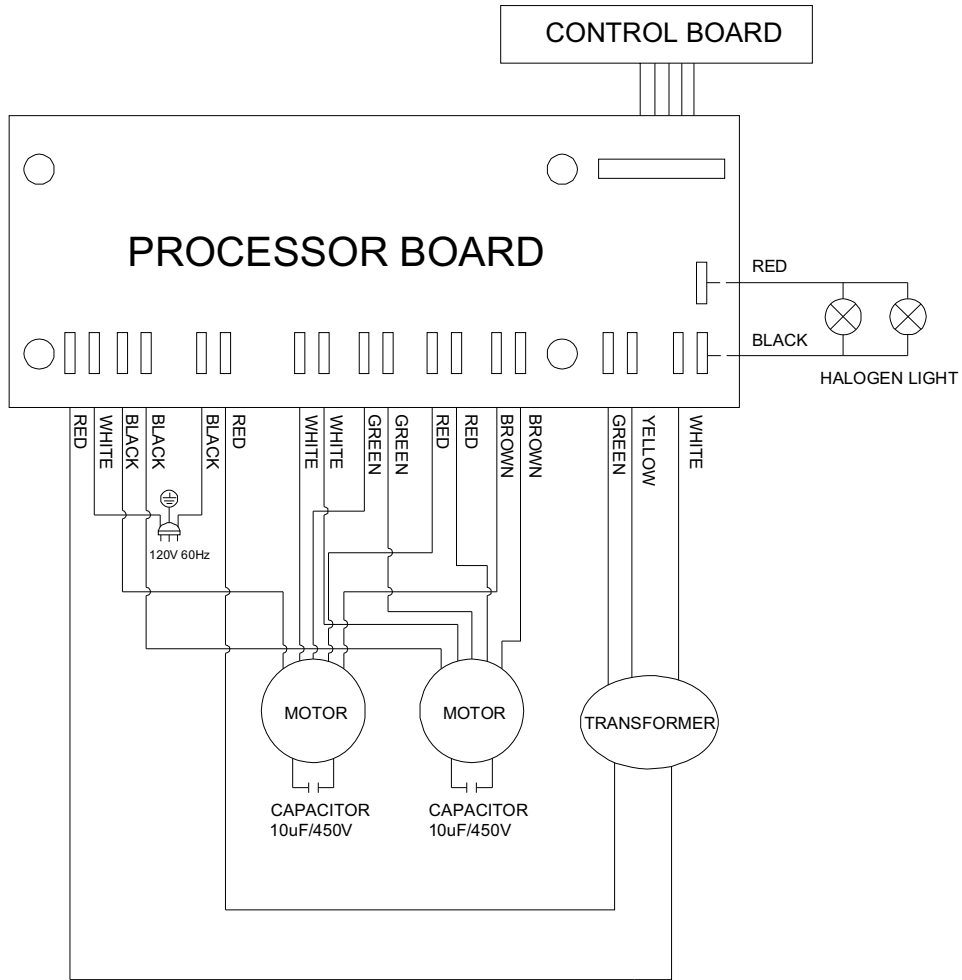
# Electrical Assembly

NO.	DESCRIPTION	MODEL/SIZE	PART NO.
1	Processor Board		CH176-15.1
2	Transformer		CH176-15.2
3	Electrical Box		CH176-15.3
4	Electrical Box Cover		CH176-15.4
5	Capacitor		CH176-15.5
6	Setup Board		CH176-15.6

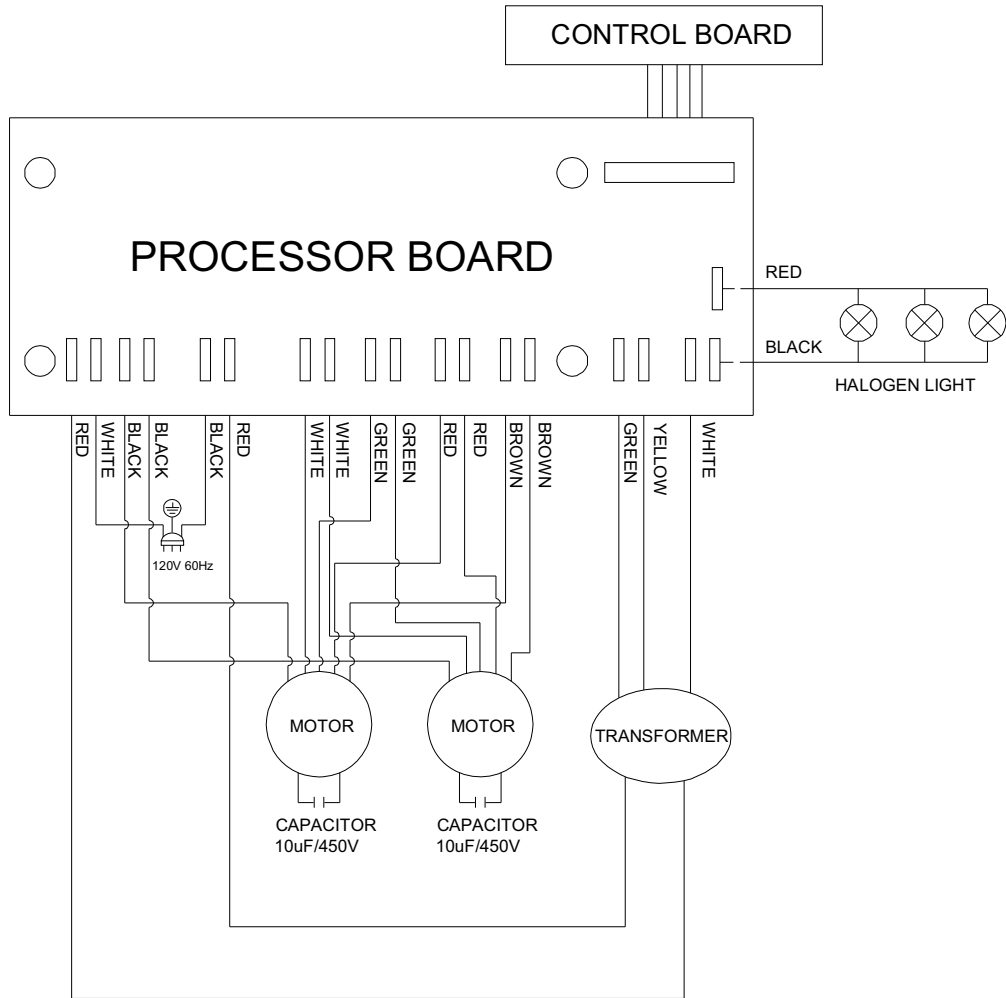


**CIRCUIT DIAGRAM**

**MODEL NO.: CH7630SQB  
CH7636SQB**



MODEL NO.: CH7642SQB  
CH7648SQB



## TROUBLE SHOOTING

Issue	Possible Cause	Solution
After Installation, both motors and lights are not working.	The power is not on.	Make sure the circuit breaker and the unit's power is ON. Use a voltage meter to check the power supply.
	The wire connection is not secure.	Check and tighten wire connection.
	The control panel and processor board wiring are disconnected.	Check wire continuity from control panel to processor board.
	The motor transformer is defective.	Check the power input and power output on the motor transformer. If it's needed, replace the motor transformer.
	The control panel and processor board is defective.	Replace the control panel or processor board.
Lights are working, but motor(s) is not.	The motor(s) is defective.	Replace the motor.
	The capacitor(s) is defective.	Replace capacitor(s).
	The control panel or processor board is defective.	Replace the control panel or processing board.
The range hood is vibrating.	The blower system is not secure.	Tighten the turbine impeller/squirrel cage and air chamber.
	The turbine impeller/squirrel cage is not balanced.	Replace the turbine impeller/squirrel cage.
	Hood is not secured in place.	Check the installation of hood, tighten the mounting bracket.
The motor is working, but the lights are not working.	Halogen Light bulb(s) is defective.	Try placing the trouble light bulb(s) to a working socket, if the bulb(s) still doesn't work; replace the halogen light bulb(s).
	The light wiring(s) is loose.	Check wire continuity from processor board to light transformer to halogen light housing(s).
	Light transformer is defective.	Check power input and power output on the light transformer. If it's needed, replace the light transformer.
	The control panel or processor board is defective.	Replace the control panel or processing board.
The range hood is not venting out correctly.	The range hood is installed outside of the manufacture recommended clearance.	Adjust the clearance between the range hoods and cook top to 27" to 30". For Island range hood, the clearance between the range hoods and cook top is 30" to 36".
	There is no make-up air inside the house.	Open the window to enhance the performance of the range hood by creating a sufficient make-up air.
	Obstacle blocking the pipe work.	Remove all obstacles from the duct work.
	The pipe size is smaller than the suggested pipe size.	Change the ducting according to the manufacture suggestion.
Cold air is coming into the home.	The pipe connection is not properly sealed.	Check the pipe installation.
	The damper is not properly installed or is missing from the installation.	Check the damper installation.
	The damper is not installed.	By installing the damper, it will help to eliminate air backflow.

## DISCLAIMER

1. **CAREFULLY INSPECT ALL ITEMS FOR DAMAGES BEFORE ACCEPTING DELIVERY. NOTE ANY DAMAGES ON THE FREIGHT BILL OR EXPRESS RECEIPT. REQUEST NAME AND SIGNATURE OF THE CARRIER'S AGENT AND KEEP COPY TO SUPPORT YOUR CLAIM.**

Upon acceptance of items, owner assumes responsibility for its safe arrival. Report damages to the carrier and file a claim immediately. Failure to do so may result in the denial of your claim. The carrier will furnish you with necessary forms for filing a claim.

**DAMAGES CAUSED DURING TRANSIT ARE NOT COVERED UNDER OUR WARRANTY.**

2. **PLEASE INSPECT CONTENTS OF PACKAGE(S) CAREFULLY UPON RECEIVING!**

We must be notified in writing of any damages and/or missing parts within the allocated days upon your receipt of package(s). Contact your local KOBE dealer or distributor or call KOBE for the time limit.

**CLAIMS WILL NOT BE ACCEPTED AFTER THE ALLOCATED DAYS.**

NOTE: ITEMS WERE THOROUGHLY TESTED AND CAREFULLY PACKED IN OUR FACTORY BEFORE SHIPPING.

3. Products must be returned in good working condition with ALL original parts and documentation packed in ALL original cartons, fillers and shipping cartons. A restocking fee of 25% will be charged for all approved return(s).

**EXCHANGES OR RETURNS MAY NOT BE ACCEPTED IF ANY PACKAGING IS MISSING.**

4. **MAKE SURE TO INSPECT THE HOOD FOR DAMAGES AND DEFECTS BEFORE INSTALLATION.** Appearance flaws of the hood found after installation and not affecting hood performance is not covered under our warranty for returns or exchanges. Service visits not covered under warranty will carry a service charge.

A) Before Installation: Return for exchange or refund (please see above for acceptable returns).

B) After Installation: **NO** exchange or refund.

## **WARRANTY**

### **WARRANTY CERTIFICATE**

KOBE Range Hoods, Inc. warrants all products manufactured or supplied by it to be free from defects in workmanship and materials. Its obligations pursuant to this warranty are limited to a period of two years from the date of purchase and to the repair or replacement at its option and subject to the terms and conditions stated below, of any component part, which its examination shall disclose to be so defective.

#### **TWO-YEAR WARRANTY SERVICE PERIOD**

Any covered failure occurring within two years of original purchase arising from defective workmanship or material in manufacture will be repaired (or at our discretion, replaced) free of charge by an authorized KOBE Range Hoods Agent or KOBE Range Hoods as applicable. Keep proof of purchase (or original invoice) handy for inspection.

If the range hood is sold by the original purchaser during the warranty period the new owner is protected until expiration of the original purchaser's warranty.

#### **CONDITIONS**

The following conditions apply only in relation to the warranty expressly given in this certificate.

- 1) This warranty applies only:
  - a) within U.S.A. and Canada.
  - b) to range hoods used for PRIVATE SINGLE FAMILY USE (if used for COMMERCIAL or MULTIPLE FAMILY USE or other purposes, warranty will be voided).
- 2) Repair of any fault to be provided under this warranty shall not be provided:
  - a) if the identification number attached to the range hood has been altered, rendered illegible or removed;
  - b) if notice of the defect has not been given within the period applicable;
  - c) for failure of light bulbs or heat lamps;
  - d) for physical damage;
  - e) for surfaces damaged by use of improper chemical cleaning agents;
  - f) if the appliance has been:
    - i) subject to misuse, abuse, negligence, accident, incorrect installation or failure to follow the operating instructions;
    - ii) connected to improper, inadequate or faulty electricity service or exhaust ducts, flues or duct cover, or operated using incorrect or contaminated lubricants;
    - iii) installed, maintained or operated otherwise than in accordance with the instructions furnished by KOBE Range Hoods including the improper use of detergents, bleaches, or cleaners.
  - g) for damage to range hood during transit, delivery, installation or removal;
  - h) for damage by or resulting from attempted repairs conducted by anyone other than our Authorized Service Agent.
  - i) noise or vibration caused by improper installation of range hood and/or damper.
- 3) The purchaser shall be responsible for any expenses involved in making the range hood readily accessible for servicing and where the range hood is installed outside the main sales territory of the retailer or service territory of the nearest approved KOBE Range Hoods Agent as applicable, for any

traveling expenses and any costs of transporting the range hood or parts thereof to and from the dealer or Service Agent

- 4) The purchaser must produce proof of purchase together with this warranty certificate when making the claim.
- 5) Damages caused during shipment are not covered under our warranty.

### **CONSEQUENTIAL DAMAGE**

The warrantor is not responsible for any consequential damage. SOME STATES DO NOT ALLOW THE EXCLUSION OF CONSEQUENTIAL DAMAGE SO THE ABOVE EXCLUSION MAY NOT APPLY TO YOU.

### **IMPLIED WARRANTIES/STATE LAW**

Any implied warranties, including the implied warranty of merchantability and fitness for purpose, imposed on the sale by the laws of the state of sale are limited to two year from the date of original purchase. Some states do not allow limitations on the duration of implied warranties. This warranty gives you specific legal rights, and may also have rights, which vary from state to state.

### **SERVICE**

For service contact:

KOBE Range Hoods  
11775 Clark St.  
Arcadia, CA 91006  
U.S.A.

Tel: 1-877-BUY-KOBE (1-877-289-5623)

Email: [customer.service@KOBERangeHoods.com](mailto:customer.service@KOBERangeHoods.com)

Website: [www.KOBERangeHoods.com](http://www.KOBERangeHoods.com)

**PRODUCT REGISTRATION**

**Register Your Product!**

Any covered failure occurring within two years of original purchase arising from defective workmanship or material in manufacture will be repaired or at our option the unit will be replaced free of charge by an authorized KOBE Range Hoods Agent or KOBE Range Hoods as applicable. Keep proof of purchase (original invoice) handy for inspection.

If the range hood is sold by the original purchaser during the warranty period the new owner is protected until expiration of the original purchaser's warranty. See warranty section for complete warranty coverage information.

This appliance has been manufactured, tested, and inspected to the standards required by KOBE Range Hoods.

**PLEASE MAIL IN YOUR WARRANTY REGISTRATION CARD AND PROOF OF PURCHASE TO:**

KOBE Range Hoods  
11775 Clark St.  
Arcadia, CA 91006 U.S.A.

**RECORD THE FOLLOWING INFORMATION FOR YOUR RECORD:**

Model No. \_\_\_\_\_

Serial No. \_\_\_\_\_

Purchased Date                    \_\_\_\_ / \_\_\_\_ / \_\_\_\_

Purchased From:

\_\_\_\_\_  
\_\_\_\_\_  
\_\_\_\_\_

**IMPORTANT: PLEASE KEEP A COPY OF YOUR SALE RECEIPT OR INVOICE HANDY WHEN REQUESTING SERVICE.**

**KOBE**<sup>®</sup>

KOBE Range Hoods  
11775 Clark St.  
Arcadia, CA 91006 U.S.A.

<http://www.KOBERangeHoods.com>

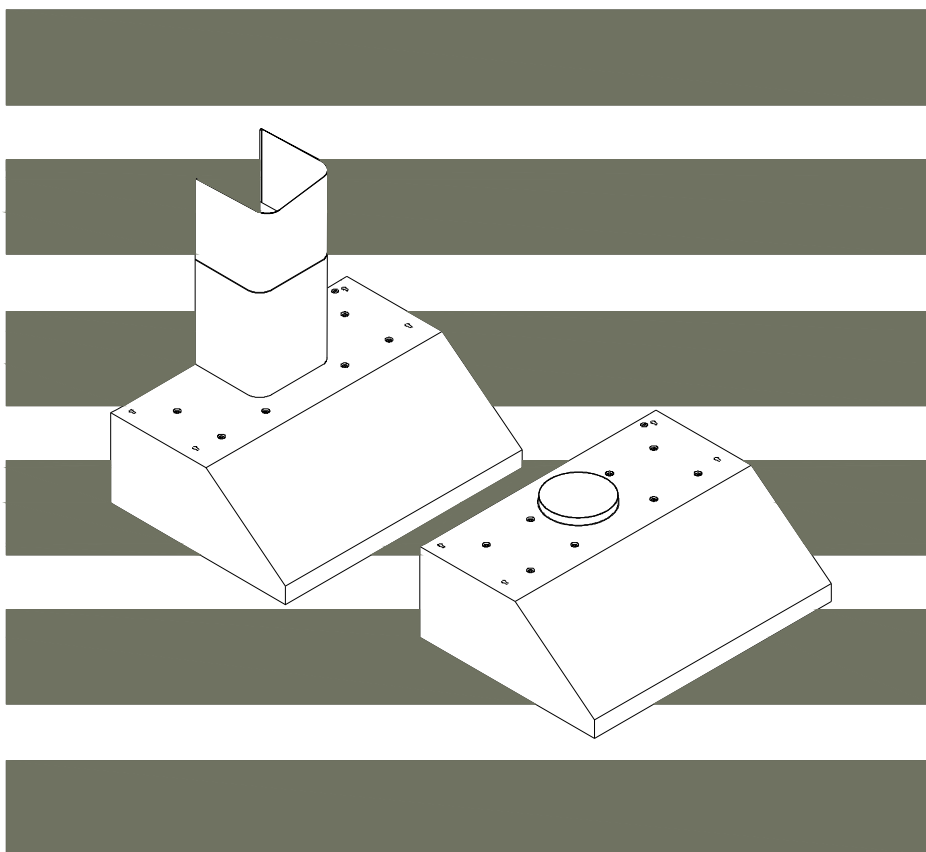
This KOBE hood is manufactured for use in the USA and CANADA only. We do not recommend using this hood overseas as the power supply may not be compatible and may violate the electrical code of that country. **Using a KOBE hood overseas is at your own risk and will void your warranty.**

VER.080318

# **KOBE**® **KOBE**® Hotte de ventilation KOBE

N<sup>os</sup> de modèle    CH7630SQB (30 po)  
                          CH7636SQB (36 po)  
                          CH7642SQB (42 po)  
                          CH7648SQB (48 po)

**SÉRIE CH-176 – 10 po de hauteur**



**NOTICE D'INSTALLATION  
ET MODE D'EMPLOI**

## LIRE ET CONSERVER CES INSTRUCTIONS

<b>CONSIGNES DE SÉCURITÉ IMPORTANTES .....</b>	<b>37</b>
<b>CONTENU DE L'EMBALLAGE.....</b>	<b>39</b>
<b>INSTALLATION .....</b>	<b>40</b>
<b>INSTALLATION SOUS UNE ARMOIRE .....</b>	<b>42</b>
<b>INSTALLATION AU-DESSUS D'UN ÎLOT .....</b>	<b>45</b>
<b>MODE D'EMPLOI .....</b>	<b>49</b>
<b>ENTRETIEN PRÉVENTIF .....</b>	<b>51</b>
<b>SPÉCIFICATIONS .....</b>	<b>53</b>
<b>MESURES ET SCHÉMAS .....</b>	<b>54</b>
<b>LISTE DES PIÈCES.....</b>	<b>59</b>
<b>SCHÉMAS DE CÂBLAGE.....</b>	<b>63</b>
<b>TROUBLE SHOOTING .....</b>	<b>65</b>
<b>AVIS DE NON-RESPONSABILITÉ .....</b>	<b>66</b>
<b>GARANTIE.....</b>	<b>67</b>
<b>ENREGISTREMENT DU PRODUIT .....</b>	<b>69</b>

- LIRE ATTENTIVEMENT TOUTES LES CONSIGNES AVANT DE  
COMMENCER -

TOUT LE CÂBLAGE ÉLECTRIQUE DOIT ÊTRE EFFECTUÉ PAR UN PROFESSIONNEL EN  
CONFORMITÉ AVEC LES CODES D'ÉLECTRICITÉ LOCAUX ET NATIONAUX.



## CONSIGNES DE SÉCURITÉ IMPORTANTES

- VEUILLEZ LIRE ATTENTIVEMENT CETTE SECTION AVANT L'INSTALLATION -

### **AVERTISSEMENT : AFIN DE RÉDUIRE LES RISQUES D'INCENDIE, DE CHOC ÉLECTRIQUE ET DE BLESSURES, RESPECTER LES CONSIGNES SUIVANTES :**

- 1) L'installation et le câblage électrique doivent être effectués par des techniciens qualifiés et en conformité avec tous les codes et toutes les normes qui s'appliquent même pour les constructions ignifugées.
- 2) Lorsque vous découpez ou percez un mur ou un plafond, prendre soin de ne pas endommager le filage électrique ou autres conduits cachés.
- 3) Les hottes à évacuation doivent être évacuées à l'extérieur.
  - a) Avant une réparation, un entretien préventif ou un nettoyage, ouvrir le panneau de la lumière et **COUPER LE COURANT ÉLECTRIQUE SUR LE PANNEAU DE SERVICE.**
  - b) Nettoyer fréquemment toutes les surfaces chargées de graisse. Afin de réduire les risques d'incendie et afin de disperser l'air adéquatement, évacuer l'air à l'extérieur. **NE PAS** ventiler l'air d'évacuation dans les murs, les greniers, les vides sanitaires ou les garages.

NOTE - La garantie de cet appareil sera nulle sans le reçu d'un distributeur autorisé de KOBE RANGE HOODS ou si l'appareil est endommagé par une utilisation inadéquate, une installation déficiente, un usage inapproprié, un mauvais traitement, de la négligence ou par toute autre circonstance échappant au contrôle des distributeurs autorisés de KOBE RANGE HOODS. Toute réparation non effectuée sous la supervision d'un agent autorisé de KOBE RANGE HOODS annulera automatiquement la garantie.

- KOBE RANGE HOODS se dégage de toute responsabilité face à des dommages à la propriété personnelle ou aux biens immeubles ou encore à des blessures corporelles causées directement ou indirectement par la hotte de cuisinière.

### **AVERTISSEMENT – AFIN DE RÉDUIRE LES RISQUES DE BLESSURES CORPORELLES DANS L'ÉVENTUALITÉ D'UN INCENDIE DE GRAISSE SE DÉCLARANT SOUS LA HOTTE DE CUISINIÈRE :**

- Tenir le ventilateur, déflecteur/entretoise/filtre/récupérateur de graisse/récipient à graisse et les surfaces chargées de graisse toujours propres. Les accumulations de graisse ne devraient pas être tolérées sur un ventilateur, déflecteur/entretoise/filtre/récupérateur de graisse/récipient à graisse.
- Toujours faire fonctionner la hotte lors d'une cuisson à température élevée.
- Utiliser les températures élevées de la cuisinière **UNIQUEMENT** lorsque nécessaire.
- Ne pas laisser la cuisinière sans surveillance lors de la cuisson.
- Toujours utiliser les articles de cuisson et les ustensiles appropriés au type et à la quantité d'aliments préparés.
- Utiliser l'appareil seulement pour l'usage auquel le fabricant l'a destiné.
- Avant l'entretien courant, couper l'alimentation électrique sur le panneau de service et verrouiller ce dernier (si possible) pour éviter une mise en marche accidentelle.
- Nettoyer fréquemment le ventilateur.

### Que faire en cas d'un incendie de graisse sur la cuisinière?

- ÉTOUFFER LES FLAMMES à l'aide d'un couvercle hermétique, une plaque à biscuits ou un plateau en métal, puis fermer le rond ou le brûleur. GARDER LES MATÉRIAUX INFLAMMABLES OU COMBUSTIBLES LOIN DES FLAMMES. Si les flammes ne s'éteignent pas immédiatement, ÉVACUER LA ZONE ET APPELER LE SERVICE D'INCENDIE ou le 911.
- NE JAMAIS SOULEVER UNE CASSEROLE EN FEU - Il y a risque de brûlure.
- NE PAS UTILISER D'EAU y compris serviettes ou linges à vaisselle mouillés - cela provoquerait un violent jet de vapeur.
- Utiliser un extincteur SEULEMENT si :
  - a) vous possédez un extincteur de classe A, B ou C et savez vous en servir;
  - b) le feu est petit et est contenu dans la zone de départ;
  - c) vous avez appelé le service d'incendie;
  - d) vous pouvez combattre le feu le dos près d'une sortie.

### Que faire si une odeur de gaz se dégage?

- Éteindre toute flamme nue.
- Ne pas essayer d'allumer des lumières ou tout type d'appareil électroménager.
- Ouvrir toutes les portes et fenêtres afin de chasser le gaz. Si une odeur de gaz est toujours perceptible, appeler immédiatement votre fournisseur de gaz ainsi que le service d'incendie.

## **ATTENTION**

1. Cette hotte doit être utilisée UNIQUEMENT pour une ventilation normale. Ne pas s'en servir pour évacuer des substances et vapeurs dangereuses ou explosives.
2. Afin de réduire les risques d'incendie, employer seulement des conduits de métal. Il doit y avoir suffisamment d'air pour une combustion et une évacuation des gaz appropriées par le conduit de fumée (cheminée) afin d'éviter le refoulement d'air.
3. Suivre les directives et les consignes de sécurité des fabricants d'équipement de chauffage comme celles publiées par le *National Fire Protection Association (NFPA)* et l'*American Society for Heating, Refrigeration and Air Conditioning Engineers (ASHRAE)* de même que les codes nationaux et locaux.
4. L'activation de tout interrupteur peut provoquer l'allumage ou une explosion.
5. En raison de la taille et du poids de la hotte, il est recommandé que deux personnes participent à l'installation.

### **AVERTISSEMENT**

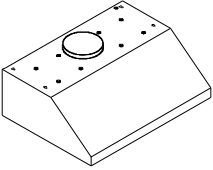


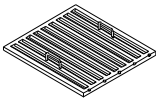
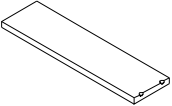
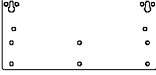

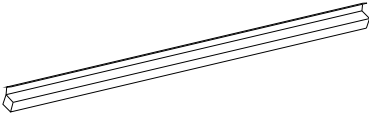
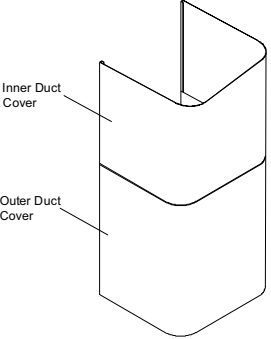
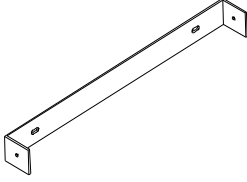
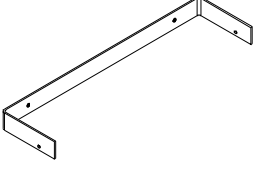

 **WARNING**



**RISQUE DE CHOC ÉLECTRIQUE – pouvant entraîner la mort ou des blessures graves. Couper l'alimentation électrique à l'appareil avant tout entretien ou toute réparation. Si la hotte est munie d'une ampoule fluorescente, cette dernière contient une petite quantité de mercure et, en conséquence, elle doit être recyclée ou éliminée conformément aux codes locaux, provinciaux et fédéraux qui s'appliquent.**

## CONTENU DE L'EMBALLAGE

(Pour tout retour ou remboursement, conserver tout le matériel ainsi que l'emballage d'origine)

Boîtier de la hotte de cuisinière	Boîtier du couvre-conduit (vendu séparément)
<p> <b>{A}</b> Hotte de cuisinière KOBE  <b>{B}</b> Certificat de garantie  <b>{C}</b> Notice d'installation et mode d'emploi  <b>{D}</b> Filtre déflecteur                      -- 2 (30 po, 36 po, 42 po)                      -- 3 (48 po)  <b>{E}</b> Entretoise en acier inoxydable                      -- 0 (30 po)                      -- 1 (36 po)                      -- 3 (42 po)                      -- 2 (48 po)  <b>{F}</b> Support de fixation de la hotte avec ensemble de vis  <b>{G}</b> Cales en caoutchouc  <b>{H}</b> Récupérateur de graisse                 </p>        <p>3/16" X 1/2" (8 pcs)</p> <p>Rubber Stand (2 pcs)</p> 	<p> <b>{I}</b> KOBE Duct Cover                      (Model No. CH1120DC)  <b>{J}</b> Inner Duct Cover-Mounting Bracket  <b>{K}</b> Outer Duct Cover-Mounting Bracket  <b>{L}</b> Screws Package                 </p>  <p>Inner Duct Cover</p> <p>Outer Duct Cover</p>    <p>1/8" X 3/8" (4 pcs) 1/8 po X 3/8 po (4 pièces)</p>

♦ POUR DE PLUS AMPLES RENSEIGNEMENTS, VEUILLEZ VISITER NOTRE SITE WEB [WWW.KOBERangeHoods.com](http://WWW.KOBERangeHoods.com) OU COMMUNIQUER AVEC KOBE RANGE HOODS AU (626) 775-8880.

## INSTALLATION

VEUILLEZ-LIRE LES INSTRUCTIONS AU COMPLET AVANT L'INSTALLATION

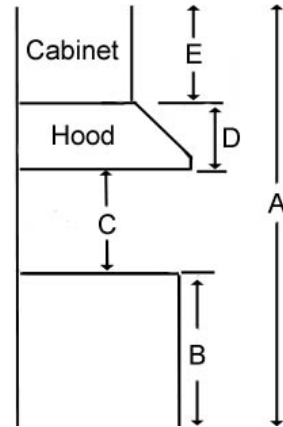
### Prise de mesures avant l'installation

Pour calculer les mesures, veuillez vous référer au TABLEAU 1 ou TABLEAU 2. (Toutes les mesures sont données en pouces).

#### - HOTTE INSTALLÉE SOUS UNE ARMOIRE -

**TABLEAU 1**

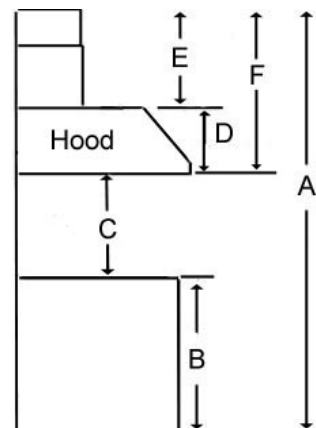
- A = Hauteur entre le plancher et le plafond
- B = Hauteur entre le plancher et le plan de travail  
(hauteur standard : 36 po)
- C = Hauteur désirée entre le plan de travail et le dessous de la hotte  
(dégagement recommandé : de 27 à 30 po)**
- D = Hauteur de la hotte
- E = Hauteur de l'armoire



#### HOTTE INSTALLÉE AU-DESSUS D'UN ÎLOT (AVEC COUVRE-CONDUIT EN OPTION)

**TABLEAU 2**

- A = Hauteur entre le plancher et le plafond
- B = Hauteur entre le plancher et le plan de travail  
(hauteur standard : 36 po)
- C = Hauteur désirée entre le plan de travail et le dessous de la hotte  
(dégagement recommandé: de 27 à 30 po)**
- D = Hauteur de la hotte
- E = Hauteur du couvre-conduit [F - D]
- F = Hauteur d'installation de la hotte  
[A - (B+C)]



## **⚠ CONSIGNES DE SÉCURITÉ**

LES HOTTES PEUVENT AVOIR DES BORDS TRÈS TRANCHANTS; PORTER DES GANTS DE PROTECTION SI NÉCESSAIRE POUR RETIRER DES PIÈCES LORS DE L'INSTALLATION, DU NETTOYAGE, DE L'ENTRETIEN ET DES RÉPARATIONS.

NOTE : FAIRE PREUVE DE PRÉCAUTION EN UTILISANT UN TOURNEVIS ÉLECTRIQUE PUISQUE CE DERNIER RISQUE D'ENDOMMAGER LA HOTTE.

### Table des matières pour l'installation

<b>INSTALLATION SOUS UNE ARMOIRE .....</b>	<b>42</b>
PRÉPARATION AVANT L'INSTALLATION.....	42
INSTALLATION DE LA HOTTE .....	42
INSTALLATION DU COUVRE-CONDUIT.....	43
BRANCHEMENT À L'ALIMENTATION ÉLECTRIQUE.....	43
ACCESSOIRES .....	44
ASSEMBLAGE FINAL.....	44
<b>INSTALLATION AU-DESSUS D'UN ÎLOT.....</b>	<b>45</b>
PRÉPARATION AVANT L'INSTALLATION.....	45
PRÉPARATION DE LA HOTTE AVANT L'INSTALLATION .....	45
INSTALLATION DE LA HOTTE .....	45
BRANCHEMENT À L'ALIMENTATION ÉLECTRIQUE.....	46
INSTALLATION DU COUVRE-CONDUIT.....	47
ACCESSOIRES .....	47
ASSEMBLAGE FINAL.....	48

## INSTALLATION SOUS UNE ARMOIRE

### Préparation avant l'installation

NOTE : AFIN DE PRÉVENIR TOUT DOMMAGE À LA HOTTE, IL FAUT EMPÊCHER LES DÉBRIS DE PÉNÉTRER DANS L'OUVERTURE DE VENTILATION.

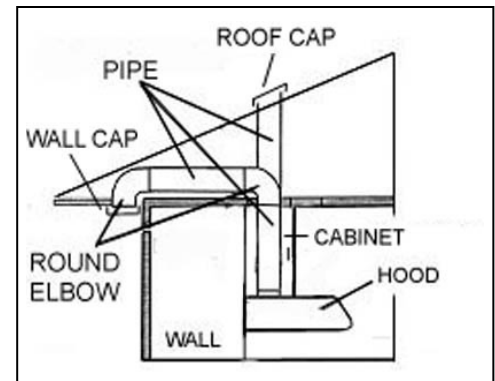
- Choisir l'emplacement du conduit de ventilation de la hotte à l'extérieur. Voir la Figure 1.
- Un conduit court et droit permet de maximiser le rendement de la hotte.
- Essayer d'éviter autant que possible les raccords, les coudes et les longues sections de conduit, puisque ceux-ci peuvent réduire le rendement de la hotte.
- Avant de l'installer, brancher la hotte temporairement pour vérifier si son fonctionnement est adéquat.
- **Important : Enlever la pellicule protectrice de la hotte, s'il y a lieu.**
- Utiliser du ruban adhésif entoilé pour sceller les raccords entre les sections de tuyau.
- Si le fond de l'armoire est en retrait, fixer un morceau de bois de 4 po de largeur (non compris) de chaque côté. Voir Figure 2.
- À l'aide du TABLEAU 1 et des mesures et schémas à la page 54, découper un orifice permettant l'accès au filage électrique sous l'armoire.

### Installation de la hotte

**AVERTISSEMENT : S'il faut déplacer la cuisinière électrique pour installer la hotte, couper d'abord l'alimentation électrique à la cuisinière par le panneau de service. COUPER LE GAZ AVANT DE DÉPLACER UNE CUISINIÈRE À GAZ.**

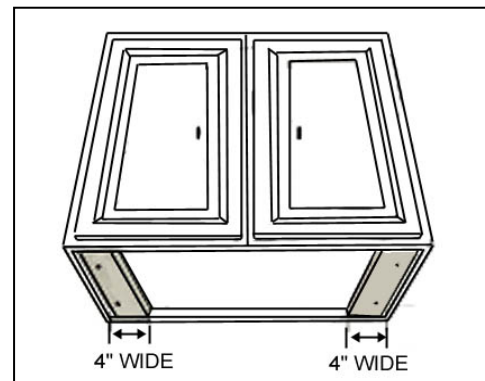
- 1) Perforer les trous à éjecter (pour une installation sous une armoire) de la hotte comme illustré à la Figure 3.
- 2) Si nécessaire, fixer les deux cales de caoutchouc (comprises) avec du ruban adhésif 3M (compris) aux coins arrière de la hotte.
- 3) À l'aide des références du TABLEAU 1 et des mesures et schémas à la page 54, centrer la hotte en place en dessous de l'armoire et à égalité avec le devant de l'armoire.
- 4) Tirer les fils électrique à travers l'ouverture de l'armoire.
- 5) À partir de l'intérieur de la hotte, placer les vis (non comprises) exactement au centre de chaque trou éjecté et les fixer solidement au bas de l'armoire. S'assurer que toutes les vis sont bien en place avant de les visser solidement.

Figure 1



ROOF CAP	CAPUCHON DU PLAFOND
PIPE	TUYAU
WALL CAP	CAPUCHON DU MUR
ROUND ELBOW	COUDE ROND
WALL	MUR
CABINET	ARMOIRE
HOOD	HOTTE

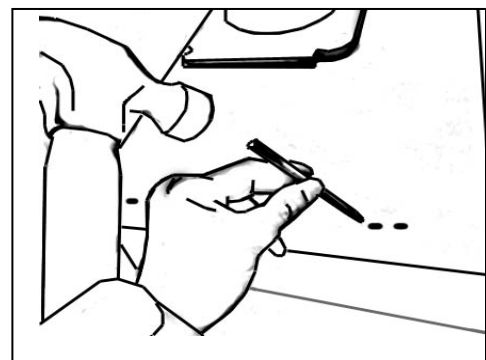
Figure 2



4" WIDE

4 po de largeur

Figure 3



**⚠ AVERTISSEMENT : S'ASSURER QUE LA HOTTE EST FIXÉE SOLIDEMENT AVANT DE LA RELÂCHER.**

6. Par mesure de sécurité, des trous préperçés sont indiqués à l'arrière de la hotte. Pour une installation encore plus sécuritaire et afin de s'assurer que la hotte est solidement fixée de l'intérieur, utiliser le nombre de trous nécessaires (les vis ne sont pas comprises).

### Installation du couvre-conduit

7. Utiliser un tuyau en acier rond de 7 po (en respectant les codes du bâtiment de votre secteur) pour raccorder le tuyau d'échappement de la hotte au conduit au-dessus. Utiliser du ruban adhésif entoilé d'aluminium pour rendre tous les raccords sécuritaires et hermétiques. Voir la Figure 4

### Branchement à l'alimentation électrique

**⚠ CONSIGNE DE SÉCURITÉ : RISQUE DE CHOC ÉLECTRIQUE. CETTE HOTTE DE CUISINIÈRE DOIT ÊTRE MISE À LA TERRE ADÉQUATEMENT. CE TRAVAIL DOIT ÊTRE EXÉCUTÉ PAR UN ÉLECTRICIEN PROFESSIONNEL EN CONFORMITÉ AVEC TOUS LES CODES D'ÉLECTRICITÉ LOCAUX ET NATIONAUX QUI S'APPLIQUENT. AVANT DE BRANCHER DES FILS, COUPER LE COURANT ÉLECTRIQUE AU PANNEAU DE SERVICE ET VERROUILLER CE DERNIER POUR ÉVITER QUE LE COURANT SOIT REMIS ACCIDENTELLEMENT**

8. Raccorder les fils électriques.
- Raccorder les trois fils (noir, blanc et vert) aux fils de la maison et couvrez-les avec des capuchons de connexion. Raccorder les fils selon la couleur (c.-à-d. noir avec noir, blanc avec blanc et vert avec vert). Voir la Figure 5.
  - Ranger les fils dans le boîtier de câblage.

Figure 4

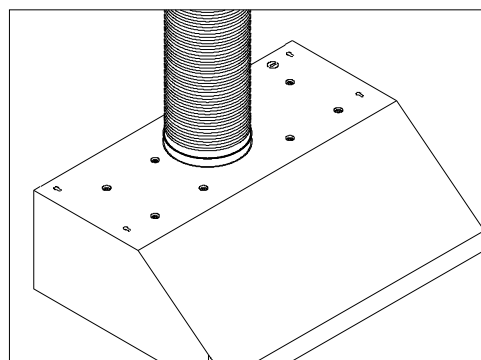


Figure 5

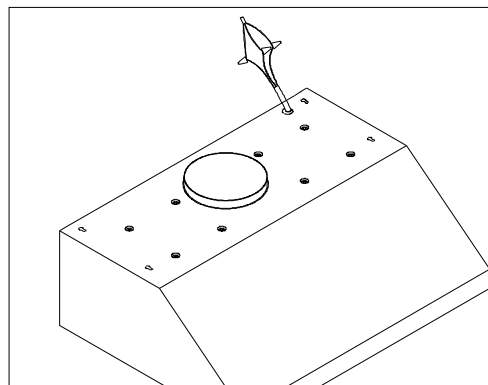
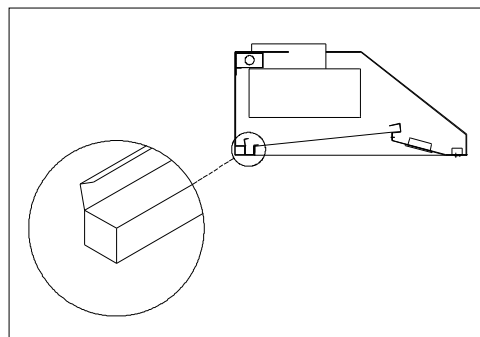


Figure 6



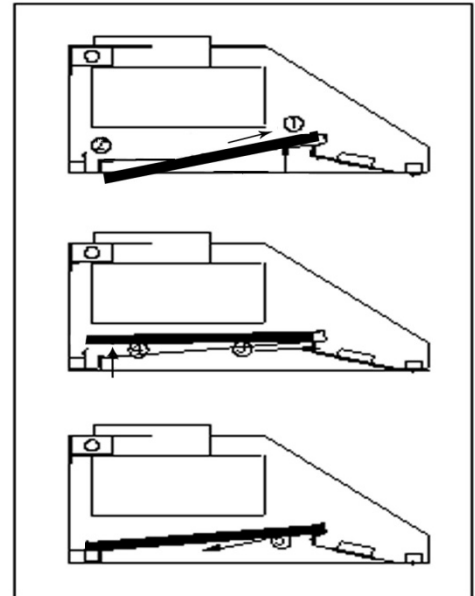
## Accessoires

9. Installer le récupérateur de graisse dans le support encastré à l'arrière de la hotte. Voir la Figure 6.
10. Installer les filtres déflecteurs et les entretoises en acier inoxydable. Se référer aux mesures et schémas à la page 58 pour la mise en place des filtres déflecteurs et des entretoises en acier inoxydable. Incliner le filtre déflecteur vers l'arrière de la hotte ①. Pousser le filtre déflecteur jusqu'à ce qu'il soit presque à niveau ②. Le faire glisser à l'intérieur de l'entaille située à l'arrière du devant de la hotte ③. Rabaissier le filtre déflecteur ④. Faire glisser vers l'arrière jusqu'à ce qu'il soit en position d'équilibre ⑤. Voir la Figure 7.
11. Répéter l'étape 10 pour installer tous les filtres déflecteurs et les entretoises en acier inoxydable.

## Assemblage final

12. Mise sous tension du panneau de contrôle. Vérifier le bon fonctionnement des lampes et du ventilateur.
13. S'assurer de remettre ce manuel au propriétaire.

Figure 7



## INSTALLATION AU-DESSUS D'UN ÎLOT

\*\*\* Cette installation est possible uniquement avec l'installation du couvre-conduit CH1120DC.

### Préparation avant l'installation

NOTE : AFIN DE PRÉVENIR TOUT DOMMAGE À LA HOTTE, IL FAUT EMPÊCHER LES DÉBRIS DE PÉNÉTRER DANS L'OUVERTURE DE VENTILATION.

- Choisir l'emplacement du conduit de ventilation de la hotte à l'extérieur. (Figure 8)
- Un conduit court et droit permet de maximiser le rendement de la hotte.
- Essayer d'éviter autant que possible les raccords, les coudes et les longues sections de conduit, puisque ces derniers peuvent réduire le rendement de la hotte.
- Avant de l'installer, brancher temporairement la hotte pour vérifier si son fonctionnement est adéquat.
- **Important : Enlever la pellicule protectrice de la hotte, s'il y a lieu.**
- Utiliser du ruban adhésif entoilé pour sceller les raccords entre les sections de tuyau.
- Si nécessaire, renforcer le mur arrière en y ajoutant du bois de charpente pour une installation sécuritaire.
- À l'aide des références du TABLEAU 2 et des mesures aux pages 55-57, déterminer la hauteur du soutien en bois supplémentaire. (Figure 9)

### Préparation de la hotte avant l'installation

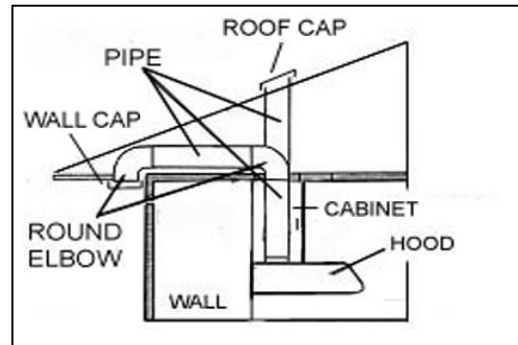
- Si nécessaire, fixer deux cales de caoutchouc (comprises) avec du ruban adhésif 3M (compris) aux coins arrière de la hotte.
- Fixer le support de fixation du couvre-conduit {K} (compris) au support de fixation de la hotte {F} (compris) au moyen de deux vis (3/16 po X 1/2 po - comprises) comme illustré à la Figure 10.
- Fixer le support de fixation de la hotte {F} à l'arrière de la hotte au moyen de six vis (3/16 po X 1/2 po - comprises) comme illustré à la Figure 11.

### Installation de la hotte

**AVERTISSEMENT: S'il faut déplacer la cuisinière électrique pour installer la hotte, couper d'abord l'alimentation électrique à cette cuisinière par le panneau de service. COUPER LE GAZ AVANT DE DÉPLACER UNE CUISINIÈRE À GAZ.**

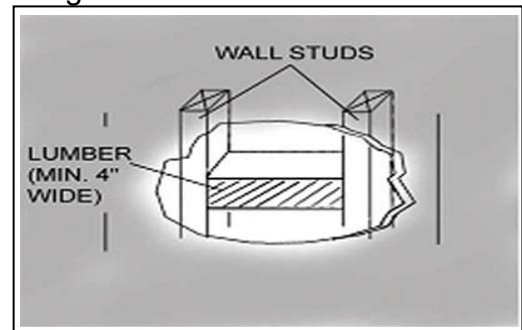
1. À l'aide des références du TABLEAU 1 et des mesures et schémas aux pages 55-57, marquer les repères de mise à niveau de la hotte. Fixer deux vis (non comprises) au mur en laissant un jeu de 1/8 po du mur.

Figure 8



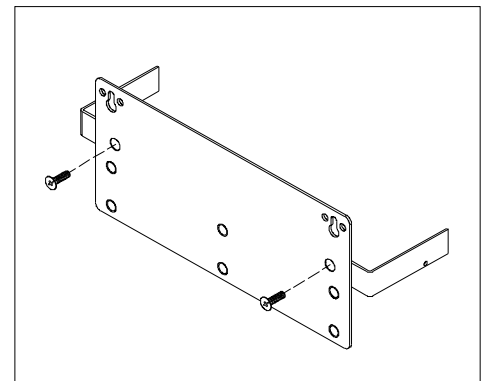
ROOF CAP	CAPUCHON DU PLAFOND
PIPE	TUYAU
WALL CAP	CAPUCHON DU MUR
ROUND ELBOW	COUDE ROND
WALL	MUR
CABINET	ARMOIRE
HOOD	HOTTE

Figure 9



WALL STUDS	POTEAUX MURAUX
LUMBER (MIN. 4 po WIDE)	BOIS (MIN. 4 PO DE LARGEUR)

Figure 10



2. Perforer les trous éjectés pour l'accès des fils à l'arrière de la hotte et faire passer le filage électrique comme illustré à la Figure 12.
3. Aligner le support de fixation de la hotte aux deux vis au mur et accrocher la hotte en place comme illustré à la Figure 13. Serrer solidement les vis pour bien fixer la hotte au mur.
4. Par mesure de sécurité, des trous prépercés sont indiqués à l'arrière de la hotte. Pour une installation encore plus sécuritaire et afin de s'assurer que la hotte est solidement fixée de l'intérieur, utiliser le nombre de trous nécessaires (les vis ne sont pas comprises).

**⚠ AVERTISSEMENT: S'ASSURER QUE LA HOTTE EST FIXÉE SOLIDEMENT AVANT DE LA RELÂCHER.**

### **Branchement à l'alimentation électrique**

#### **CONSIGNES DE SÉCURITÉ**

**RISQUE DE CHOC ÉLECTRIQUE. CETTE HOTTE DE CUISINIÈRE DOIT ÊTRE MISE À LA TERRE ADÉQUATEMENT. CE TRAVAIL DOIT ÊTRE EXÉCUTÉ PAR UN ÉLECTRICIEN PROFESSIONNEL EN CONFORMITÉ AVEC TOUS LES CODES D'ÉLECTRICITÉ LOCAUX ET NATIONAUX QUI S'APPLIQUENT. AVANT DE BRANCHER LES FILS, COUPER LE COURANT ÉLECTRIQUE AU PANNEAU DE SERVICE ET VERROUILLER CE DERNIER POUR ÉVITER QUE LE COURANT SOIT REMIS ACCIDENTELLEMENT.**

5. Raccorder les fils électriques.
  - Raccorder les trois fils (noir, blanc et vert) aux fils de la maison et couvrez-les avec des capuchons de connexion. Raccorder les fils selon la couleur : noir avec noir, blanc avec blanc et vert avec vert comme illustré à la Figure 5.
  - Ranger les fils dans le boîtier de câblage.

Figure 11

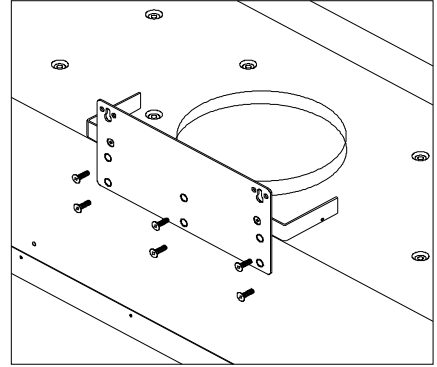


Figure 12

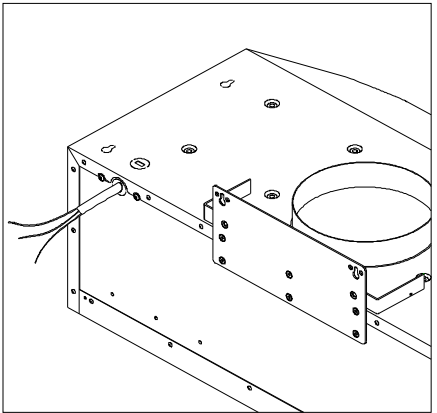


Figure 13

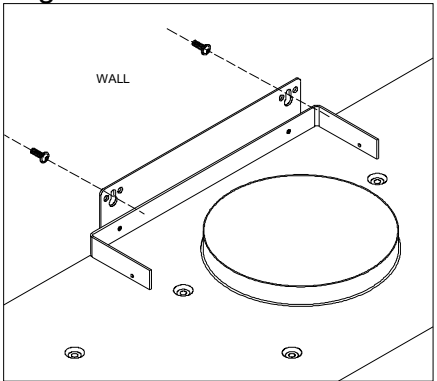
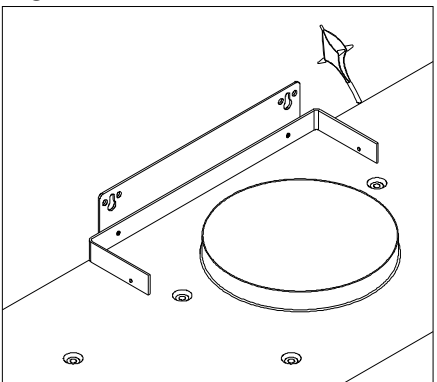


Figure 14



## Installation du couvre-conduit

- Marquer l'emplacement du support de fixation du couvre-conduit {J} (compris). Utiliser la référence E du TABLEAU 2 et les mesures et schémas des pages 20-21. Attacher solidement le support de fixation du couvre-conduit {J} au moyen de deux vis (non comprises) au mur. Voir Figure 15. NOTE : Le couvre-conduit intérieur sera fixé au support de fixation.
- Utiliser un tuyau rond en acier de 7 po (en respectant les codes du bâtiment de votre secteur) pour raccorder le tuyau d'échappement de la hotte au conduit au-dessus. Utiliser du ruban adhésif entoilé d'aluminium pour rendre tous les raccords sécuritaires et hermétiques.
- Faire glisser le couvre-conduit intérieur de 2 po avant de glisser le couvre-conduit entier sur la hotte. Voir Figure 16.
- Ajuster la hauteur du couvre-conduit intérieur à celle du support de fixation du couvre-conduit intérieur {J}. Fixer solidement le couvre-conduit intérieur à l'aide de deux vis (1/8 po X 3/8 po - comprises).
- Attacher le couvre-conduit extérieur au support de fixation du couvre-conduit extérieur {K} avec deux vis (1/8 po X 3/8 po – comprises) comme illustré à la Figure 17.

## Accessoires

- Installer le récupérateur de graisse dans le support encastré à l'arrière de la hotte. Voir la Figure 18.
- Installer les filtres déflecteurs et les entretoises en acier inoxydable. Se référer aux mesures et schémas à la page 58 pour la mise en place des filtres déflecteurs et des entretoises en acier inoxydable. Incliner le filtre déflecteur vers l'arrière de la hotte ①. Pousser le filtre déflecteur jusqu'à ce qu'il soit presque à niveau ②. Le faire glisser à l'intérieur de l'entaille située à l'arrière du devant de la hotte ③. Rabaisser le filtre déflecteur ④. Faire glisser vers l'arrière jusqu'à ce qu'il soit en position d'équilibre ⑤. Voir la Figure 19.
- Répéter l'étape 12 pour installer tous les filtres déflecteurs et le ou les entretoises en acier inoxydable.

Figure 15

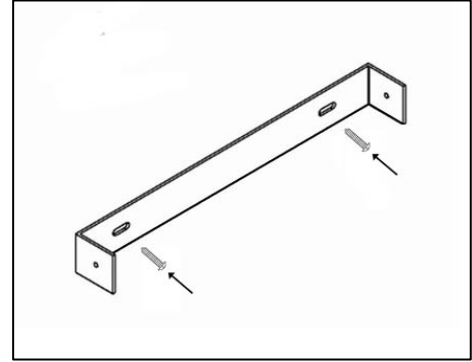


Figure 16

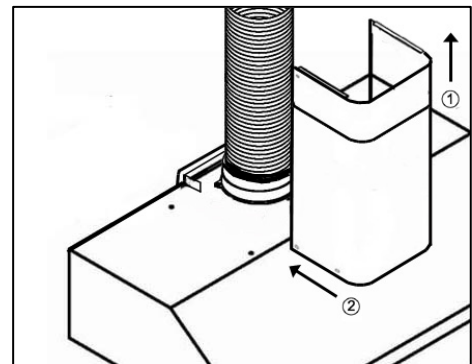


Figure 17

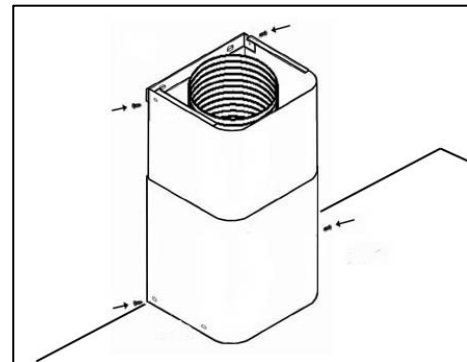
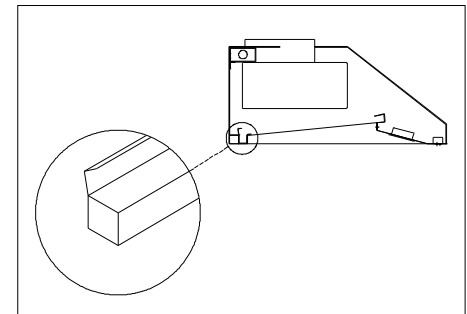


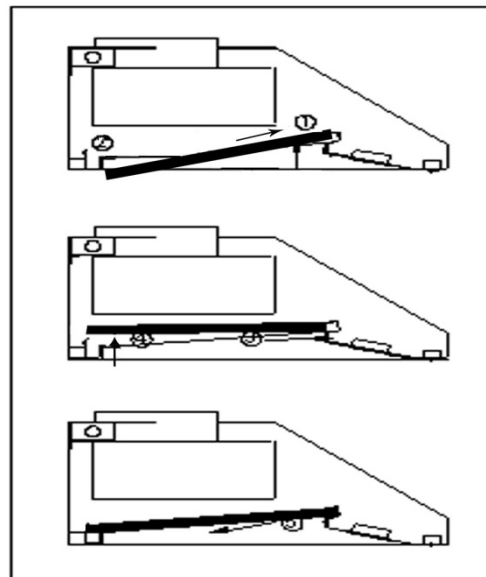
Figure 18



## Assemblage final

14. Mise sous tension du panneau de contrôle. Vérifier le bon fonctionnement des lampes et du ventilateur.
15. S'assurer de remettre ce manuel au propriétaire.

Figure 19

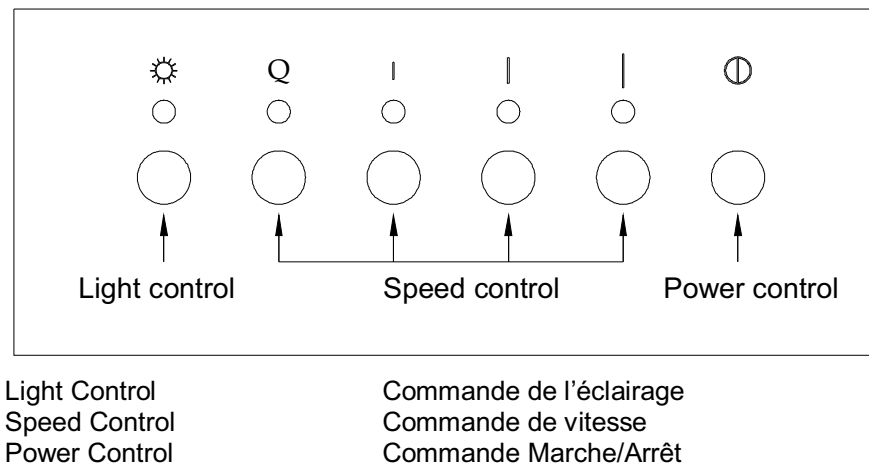


## MODE D'EMPLOI

Cette hotte de cuisinière KOBE est munie de six commandes électroniques, deux puissants ventilateurs centrifuges à aubes inclinées avec récupérateur de graisse en acier inoxydable, des filtres défecteurs et entretoises en acier inoxydable et des lampes à halogène de 12 volts/20 watts (2 pour 30 po et 36 po, 3 pour 42 po et 48 po).

Les six boutons de commandes électroniques permettent de contrôler l'éclairage, la vitesse (cycles QuietMode<sup>MC</sup>, bas, moyen, élevé) et la fonction de Marche/Arrêt « ON/OFF ». La commande Marche/Arrêt offre un délai de démarrage de 10 secondes, un délai d'arrêt de 3 minutes ou un arrêt immédiat. La commande pour l'éclairage fonctionne de façon indépendante de la commande Marche/Arrêt et n'a aucune incidence sur le délai de démarrage ou d'arrêt. (Figure 20)

Figure 20



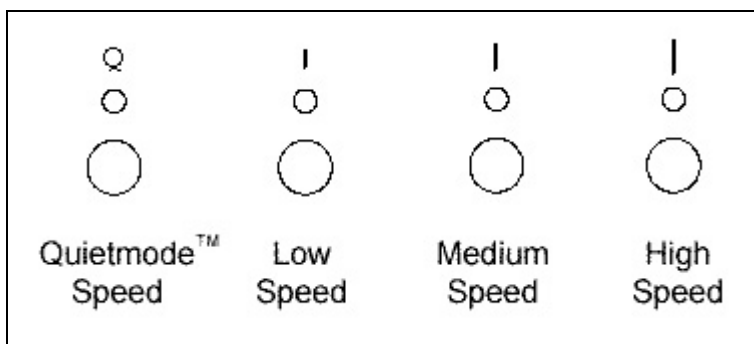
### Mise en marche du ventilateur

Toujours mettre les ventilateurs en marche avant de cuisiner afin de permettre la circulation de l'air. Laisser fonctionner les ventilateurs durant quelques minutes après toute cuisson afin de purifier l'air de la cuisine. Le bouton de la commande Marche/Arrêt

« ON/OFF » doit être enfoncé avant que le bouton de la commande de vitesse puisse être activé.

- Appuyer une fois sur le bouton Marche/Arrêt. (Les quatre voyants DEL au-dessus du contrôle de la vitesse clignoteront; si aucun des autres boutons n'est enfoncé à l'intérieur d'un délai de 10 secondes, la hotte se mettra hors fonction automatiquement.)  
Note : Le bouton de la commande Marche/Arrêt « ON/OFF » n'a aucune influence sur le réglage de l'éclairage.
- Appuyer sur le bouton de la commande de vitesse pour régler le ventilateur à la vitesse désirée (le voyant DEL au-dessus du bouton s'allumera).
- Pour changer la vitesse du ventilateur, appuyer sur le bouton de la vitesse désirée. Le voyant DEL au-dessus du bouton de vitesse indique la vitesse du ventilateur.

Figure 21



QuietMode Speed  
Low Speed  
Medium Speed  
High Speed

Vitesse QuietMode<sup>MC</sup>  
Vitesse basse  
Vitesse moyenne  
Vitesse élevée

#### Arrêt du ventilateur :

La fonction du délai de 3 minutes arrête uniquement les ventilateurs. Les réglages de l'éclairage n'auront pas d'incidence sur la fonction de délai.

#### Délai de 3 minutes

- Appuyer une fois sur le bouton Marche/Arrêt « ON/OFF », le voyant DEL de la vitesse sélectionnée clignotera et les ventilateurs s'éteindront après 3 minutes.
- Durant le délai de 3 minutes, le changement de vitesse n'aura aucune incidence sur l'écoulement du délai de 3 minutes.

#### Arrêt immédiat

- Appuyer deux fois sur le bouton de commande Marche/Arrêt « ON/OFF », les ventilateurs s'arrêteront immédiatement.

#### Commande de l'éclairage

La commande de l'éclairage fonctionne de façon indépendante de la commande Marche/Arrêt « ON/OFF » et de celle du délai de 3 minutes. Appuyer sur le bouton de commande Marche/Arrêt « ON/OFF » ou activer la fonction de délai n'allumera pas ou n'éteindra pas les lampes à halogène. L'éclairage est doté de trois réglages d'intensité : élevée, moyenne et basse.

- Appuyer sur le bouton de commande des lampes pour allumer les lampes à halogène.
- Appuyer sur le bouton de commande de l'éclairage une seconde fois pour changer le réglage d'intensité au niveau le plus faible.
- Chaque fois que le bouton de commande de l'éclairage est enfoncé, le cycle d'intensité des lampes passe de élevée, à basse puis à éteinte.

### **⚠ AVERTISSEMENT:**

**NE JAMAIS METTRE LES MAINS DANS L'AIRE ABRITANT LE VENTILATEUR ALORS QUE CELUI-CI EST EN FONCTION.**

Pour favoriser un rendement optimal, nettoyer régulièrement les surfaces de la hotte, le déflecteur/entretoise/filtre/récupérateur de graisse/récipient à graisse.

### **Nettoyage des surfaces de la hotte**

**⚠ AVERTISSEMENT: NE JAMAIS EMPLOYER DE NETTOYANTS ABRASIFS, DE LAINES D'ACIER OU DE TISSUS ABRASIFS.**

\*\*\* Un entretien fréquent aidera à conserver la belle apparence de la hotte.

- 1) Utiliser seulement du savon doux ou du détergent. Sécher les surfaces avec un chiffon doux.
- 2) Si la hotte est tachée (hotte en acier inoxydable), utiliser un nettoyant pour acier inoxydable pour nettoyer la surface de la hotte. Éviter de mettre du nettoyant sur les boutons de commande. Suivre les directives sur le nettoyant pour acier inoxydable. **Avvertissement : Ne jamais laisser de nettoyant durant une trop longue période de temps puisque ceci pourrait endommager la finition de la hotte.** Utiliser un chiffon doux pour enlever tout résidu de solution nettoyante, frotter légèrement toute tâche tenace. Sécher la hotte avec un chiffon doux.
- 3) NE PAS laisser les dépôts s'accumuler ou rester sur la hotte.
- 4) NE PAS utiliser de laines ou de brosses à recurer ordinaires. Des particules d'acier peuvent adhérer à la surface et la faire rouiller.
- 5) NE PAS laisser des solutions salines, des désinfectants, des javellisants ou des agents nettoyants rester en contact avec l'acier inoxydable durant de longues périodes. Plusieurs de ces nettoyants contiennent des produits chimiques pouvant endommager l'acier inoxydable. Après tout contact de ce type, rincer à l'eau et essuyer avec un chiffon doux.

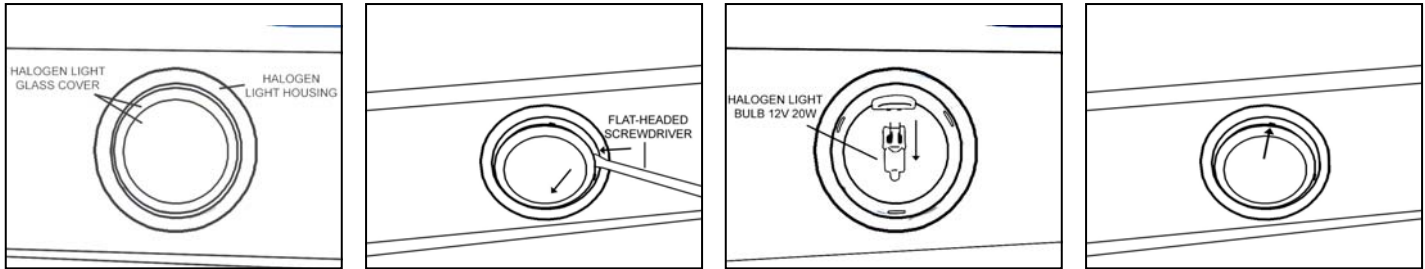
### **Nettoyage du déflecteur, de l'entretoise, du filtre, du récupérateur de graisse et du récipient à graisse**

**⚠ AVERTISSEMENT: DRAINER LA GRAISSE DES DÉFLECTEURS, ENTRETOISE(S), FLITRES, RÉCUPÉRATEUR(S) À GRAISSE ET RÉCIPIENTS À GRAISSE, PUISQUE LA GRAISSE OU LES RÉSIDUS PEUVENT DÉBORDER.**

1. Retirer tous les déflecteurs, entretoise(s), filtres, récupérateur(s) de graisse et récipients à graisse. Suivre les directives d'installation à l'inverse.
2. Jeter la graisse et les résidus.
3. Nettoyer avec de l'eau chaude savonneuse. Assécher complètement avant de remettre en place.  
(Note : les déflecteurs en acier inoxydable, le ou les entretoises et le récupérateur de graisse peuvent être lavés dans le panier supérieur du lave-vaisselle sans courir aucun risque).

## Remplacement des ampoules de lampe à halogène

**AVERTISSEMENT: LE DISPOSITIF DE LA LAMPE À HALOGÈNE PEUT ÊTRE BRÛLANT!  
ATTENDRE QU'IL SE REFROIDISSE.**



- 1) S'assurer que toutes les commandes sont en mode ARRÊT et que la hotte de cuisinière est débranchée.
- 2) Insérer un tournevis à tête plate entre le protège-lampe et le boîtier ① pour retirer le couvercle ②.
- 3) En douceur, retirer l'ampoule défectueuse ③ et la jeter. Les ampoules à utiliser doivent être de 12 V et de 20 W au maximum.
- 4) Enfiler des gants de coton ou utiliser un chiffon pour toucher l'ampoule à remplacer (ne pas manipuler à mains nues puisque ceci pourrait réduire la durée de vie de l'ampoule). En douceur, pousser l'ampoule fermement dans la douille.  
NOTE : NE PAS POUSSER TROP FORT PUISQUE LES « BRANCHES » DE L'AMPOULE POURRAIENT SE BRISER.
- 5) Remettre le protège-lampe en place.
- 6) Mettre en marche la hotte de cuisinière pour effectuer un essai de fonctionnement.

## SPÉCIFICATIONS

MODÈLE / FORMAT	CH7630SQB – 30 po CH7636SQB – 36 po CH7642SQB – 42 po CH7648SQB – 48 po
COULEUR	acier inoxydable de qualité commerciale n°
CONSOMMATION / AMPÈRE	CH7630SQB – 300 W / 3 A CH7636SQB – 300 W / 3 A CH7642SQB – 300 W / 3 A CH7648SQB – 300 W / 3 A
VOLTAGE	120 V - 60 Hz
NOMBRE DE MOTEURS	2
DESIGN	fini satiné sans joints
TYPE DE MOTEUR	ventilateur à aubes inclinées vertical
ÉVACUATION	évent supérieur rond de 7 po
CONTRÔLE	six boutons de commandes électroniques
LAMPES À HALOGÈNE	CH7630SQB – 2 ampoules 12 V, 20 W CH7636SQB – 2 ampoules 12 V, 20 W CH7642SQB – 3 ampoules 12 V, 20 W CH7648SQB – 3 ampoules 12 V, 20 W
DIMENSIONS DE LA HOTTE (LARGEUR X PROFONDEUR X HAUTEUR)	(CH7630SQB) 29-3/4 po x 22 po x 10 po (CH7636SQB) 35-3/4 po x 22 po x 10 po (CH7642SQB) 41-3/4 po x 22 po x 10 po (CH7648SQB) 47-3/4 po x 22 po x 10 po

POIDS (lb)		NET		BRUT		
	CH7630SQ	49	58	CH7642SQ	53	64
	CH7636SQ	62	75	CH7648SQ	69	84
VITESSE	QuietMode <sup>M</sup>		Basse	Moyenne		Élevée
Capacité d'air (cfm)*	385		460	560		700
Sone(dB)	1.2(42)		3.0(56)	4.0(60)		5.0(64)

\*Essai maison de pression statique « 0 ». Normes HVI.

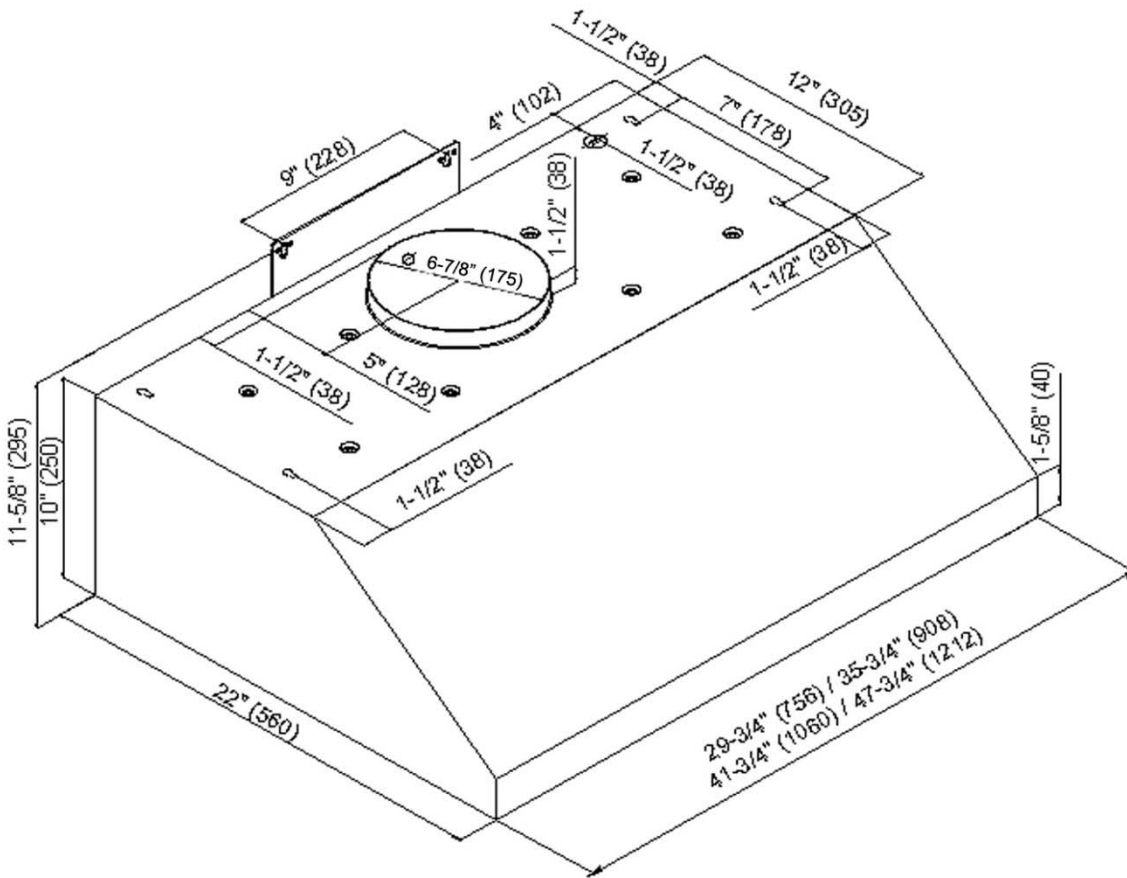
\*\*Les spécifications sont sujettes à changement sans préavis.



- ◆ Toutes les mesures entre parenthèses sont en millimètres.
- ◆ Toutes les mesures en pouces sont converties à partir de millimètres. Les mesures en pouces sont estimées.

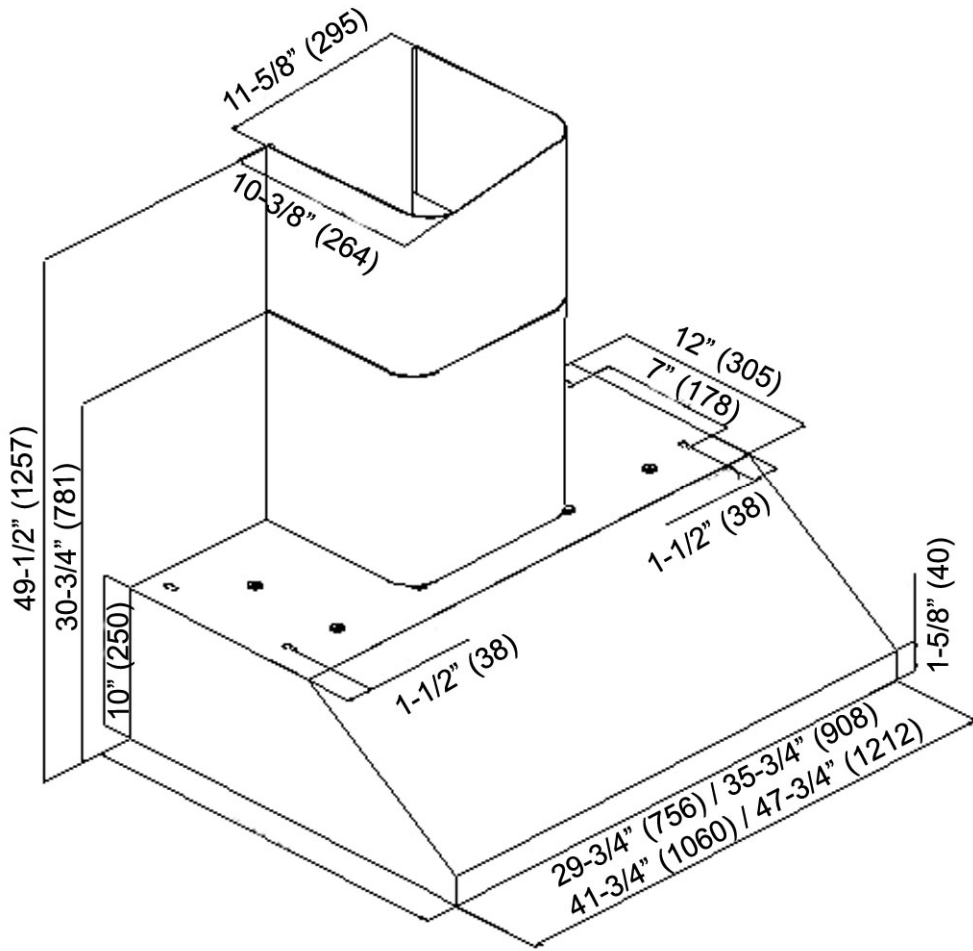
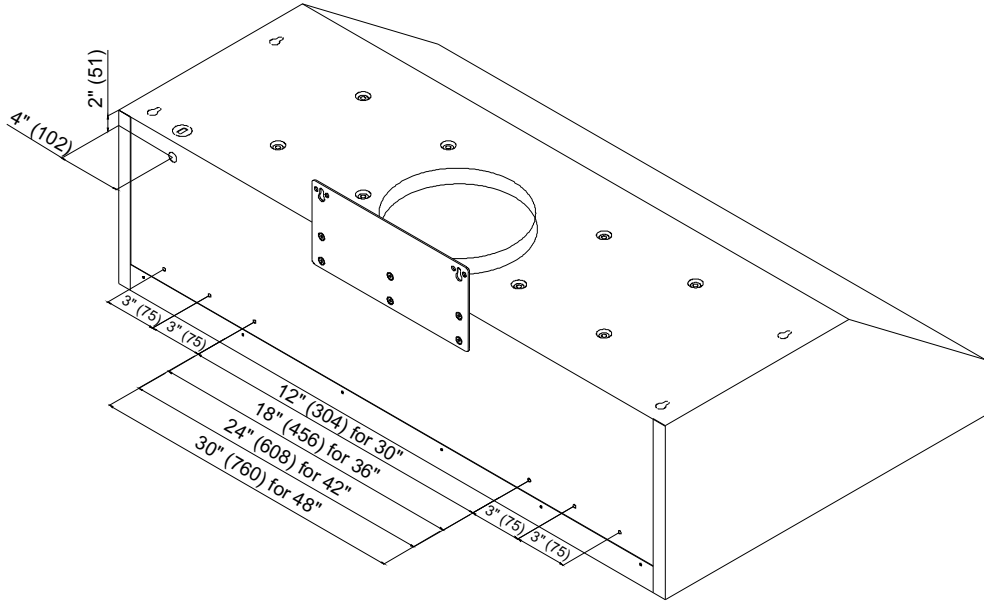
- INSTALLATION AU-DESSUS D'UN ÎLOT  
(AVEC COUVRE-CONDUIT EN OPTION) -

N° DE MODÈLE : CH7630SQB  
CH7636SQB  
CH7642SQB  
CH7648SQB

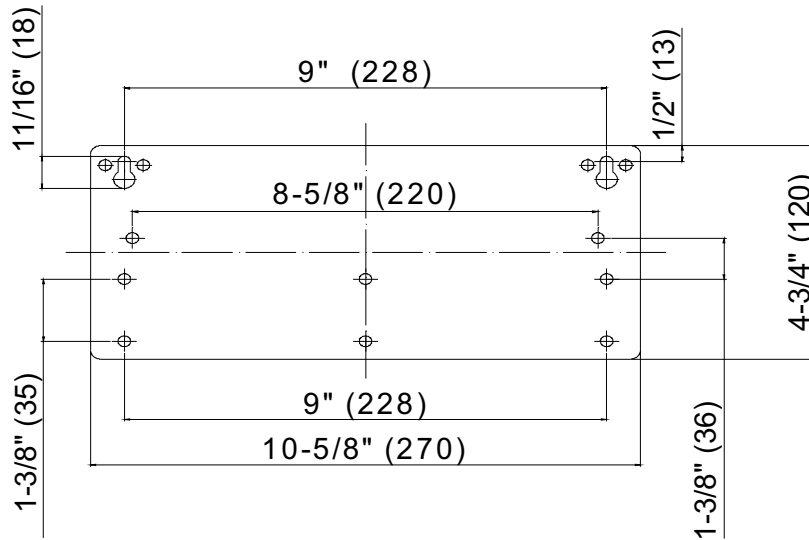


NOTE DE LA TRADUCTRICE : SVP REMPLACER LES GUILLEMETS PAR po  
ex. : 1-1/8" = 1 1/8 po

Trous arrière à éjecter



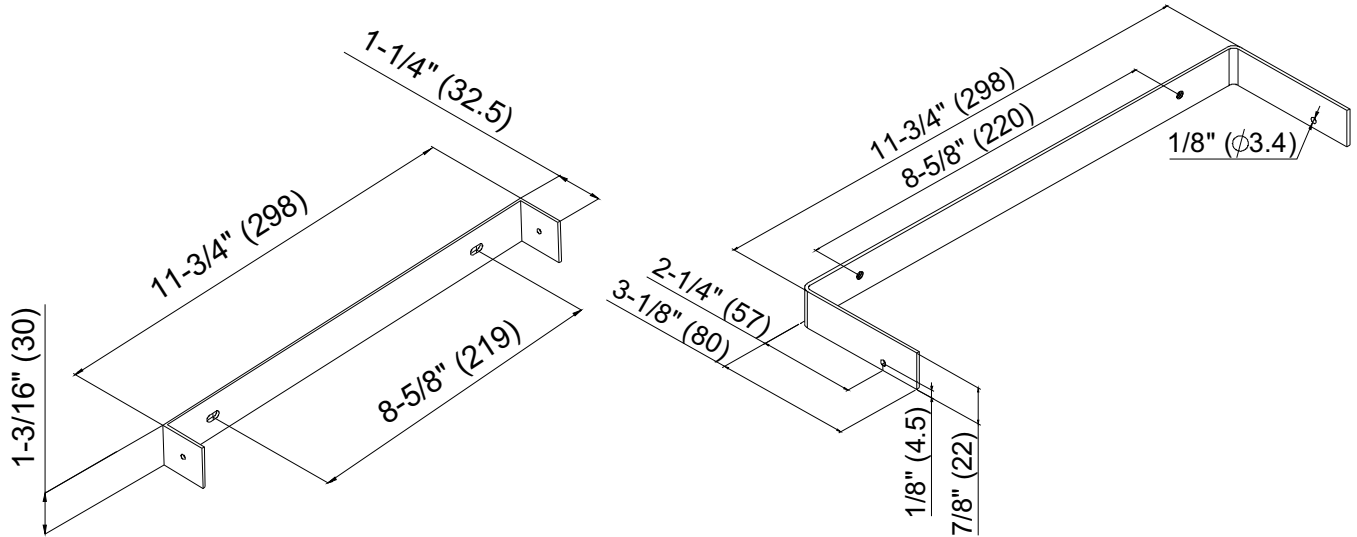
**Support de fixation de la hotte**



**Support de fixation du couvre-conduit**

Inner Duct Cover-Mounting Bracket  
Support de fixation du couvre-conduit intérieur

Outer Duct Cover-Mounting Bracket  
Support de fixation du couvre-conduit extérieur



# FILTRE DÉFLECTEUR ET ENTRETOISES EN ACIER INOXYDABLE

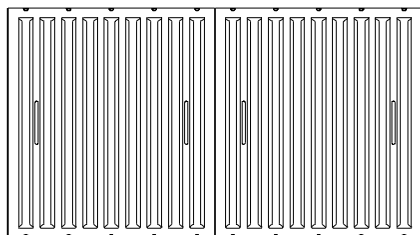
30\_ H00D – HOTTE DE 30 PO

36\_ H00D – HOTTE DE 36 PO

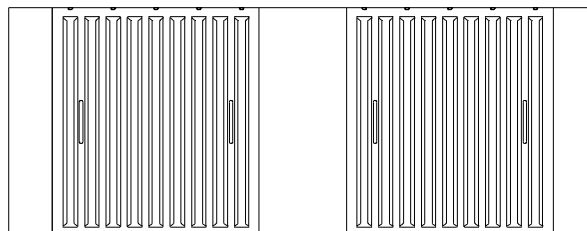
42\_ H00D – HOTTE DE 42 PO

48\_ H00D – HOTTE DE 48 PO

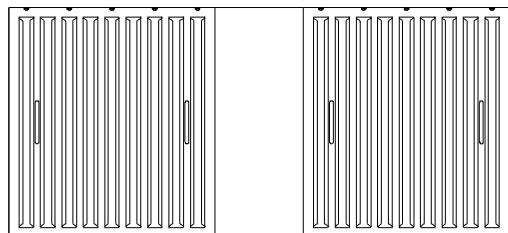
30" H00D



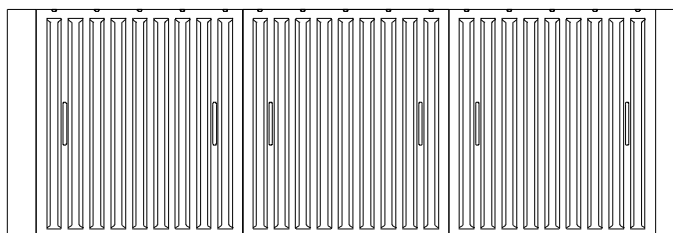
42" H00D



36" H00D



48" H00D

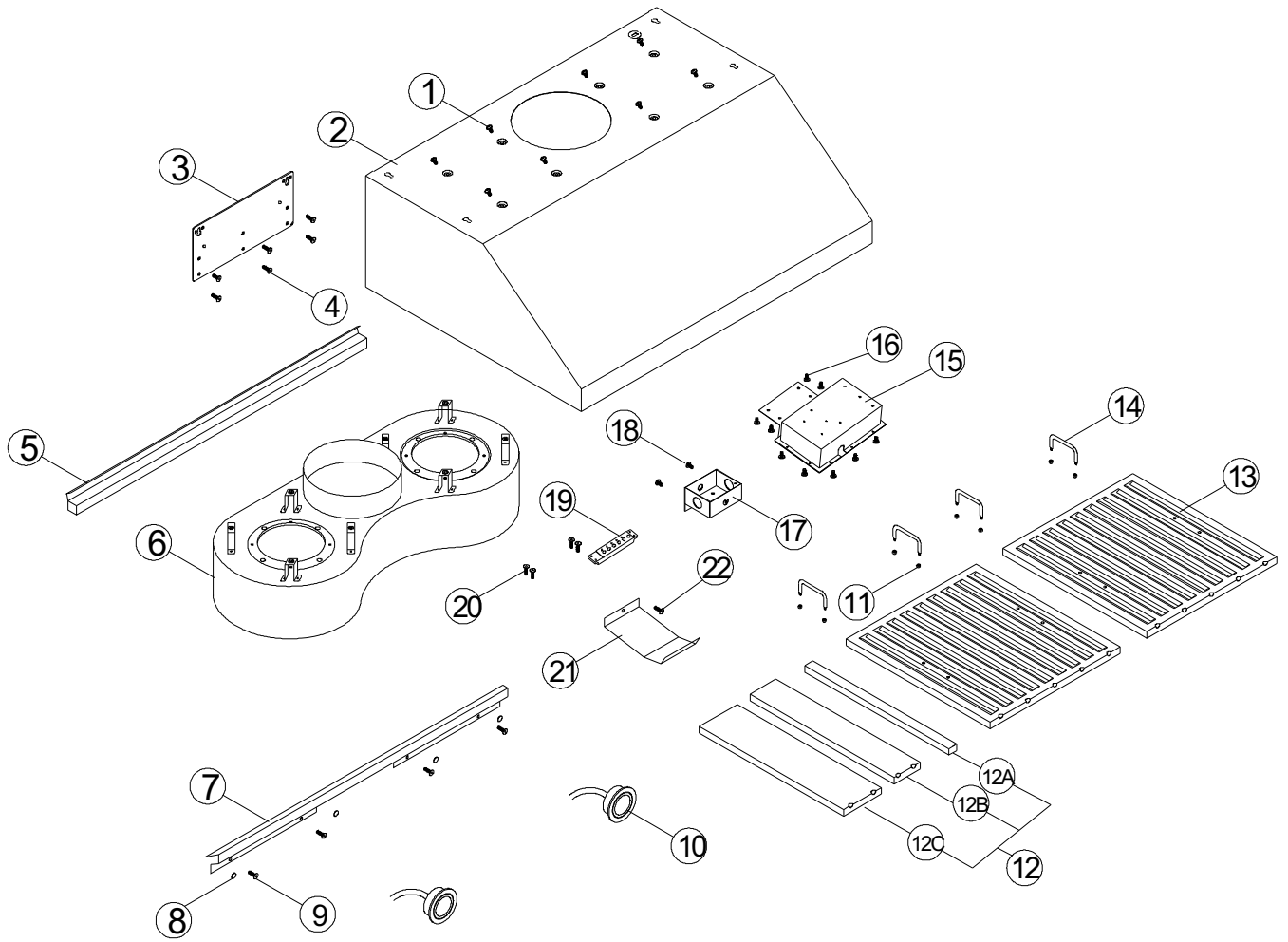


**LISTE DES PIÈCES**

**N<sup>os</sup> DE MODÈLE :** CH7630SQB  
CH7636SQB  
CH7642SQB  
CH7648SQB

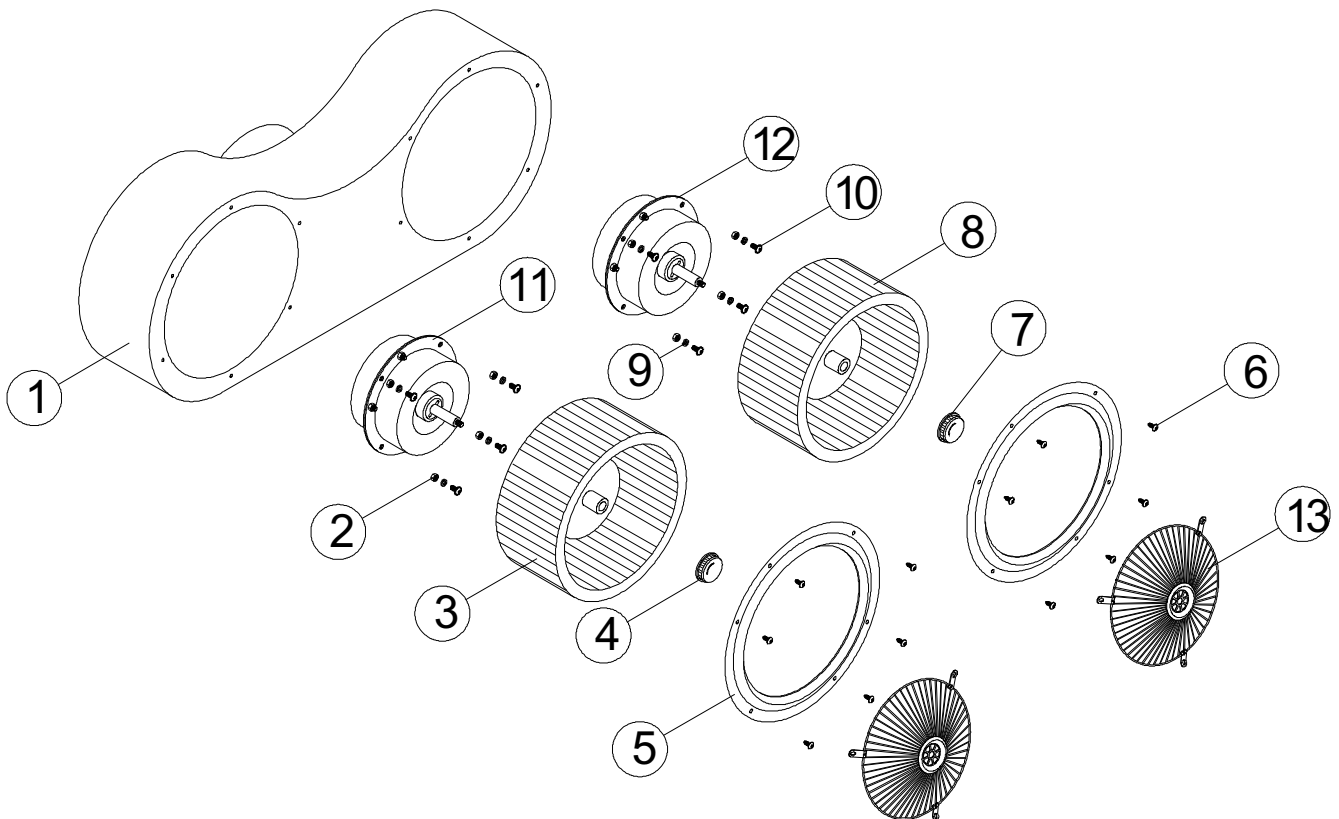
**Ensemble des composantes**

<b>N<sup>o</sup></b>	<b>DESCRIPTION</b>	<b>MODÈLE/FORMAT</b>	<b>N<sup>o</sup> DE PIÈCE</b>
1	Vis (3/16 po x 3/8 po)		CH176-1
2	Caisson de la hotte		CH176-2
3	Support de fixation de la hotte		CH176-3
4	Vis (3/16 po x 3/8 po)		CH176-1
5	Récupérateur de graisse en acier inoxydable		CH176-4
6	Montage du ventilateur de soufflage		CH176-5
7	Panneau de l'éclairage à halogène		CH176-6
8	Joint d'étanchéité		CH176-7
9	Vis (3/16 po x 3/8 po)		CH176-1
10	Lampe à halogène		CH176-9
11	Joint d'étanchéité		CH176-8
12	Entretoise en acier inoxydable		
A		CH7636SQB	CH176-11
B		CH7642SQB	CH176-12
C		CH7648SQB	CH176-18
13	Filtre déflecteur		CH176-13
14	Poignée du filtre		CH176-14
15	Montage électrique		CH176-15
16	Vis (3/16 po X 3/8 po)		CH176-1
17	Boîtier de câblage		CH176-16
18	Vis (3/16 po X 3/8 po)		CH176-1
19	Montage de l'interrupteur		CH176-17
20	Vis (3/16 po X 3/8 po)		CH176-1
21	Tableau de commandes		CH176-18
22	Vis (3/16 po X 3/8 po)		CH176-1



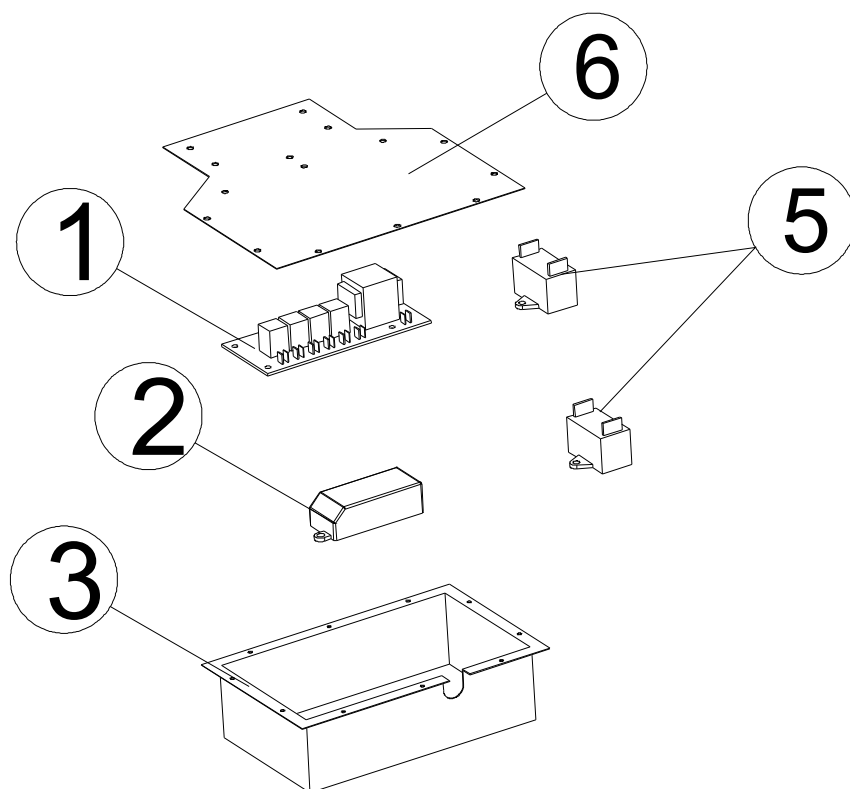
## Montage du ventilateur de soufflage

N <sup>o</sup>	DESCRIPTION	MODÈLE/FORMAT	N <sup>o</sup> DE PIÈCE
1	Réservoir d'air		CH176-6.1
2	Capuchon des vis		CH176-6.2
3	Aube inclinée gauche		CH176-6.3
4	Contre-écrou gauche		CH176-6.4
5	Grille à circulation d'air		CH176-6.5
6	Vis (3/16 po X 3/8 po)		CH176-6.6
7	Contre-écrou droit		CH176-6.7
8	Aube inclinée droite		CH176-6.8
9	Joint d'étanchéité		CH176-6.9
10	Vis (3/16 po X 3/8 po)		CH176-6.10
11	Moteur gauche		CH176-6.11
12	Moteur droit		CH176-6.12
13	Écran protecteur		CH176-6.13



## Montage électrique

N°	DESCRIPTION	MODÈLE/FORMAT	N° DE PIÈCE
1	Carte processeur		CH176-15.1
2	Transformateur		CH176-15.2
3	Tableau de distribution principal		CH176-15.3
4	Couvercle du tableau de distribution principal		CH176-15.4
5	Condensateur		CH176-15.5
6	Tableau de configuration		CH176-15.6



# SCHÉMAS DE CÂBLAGE

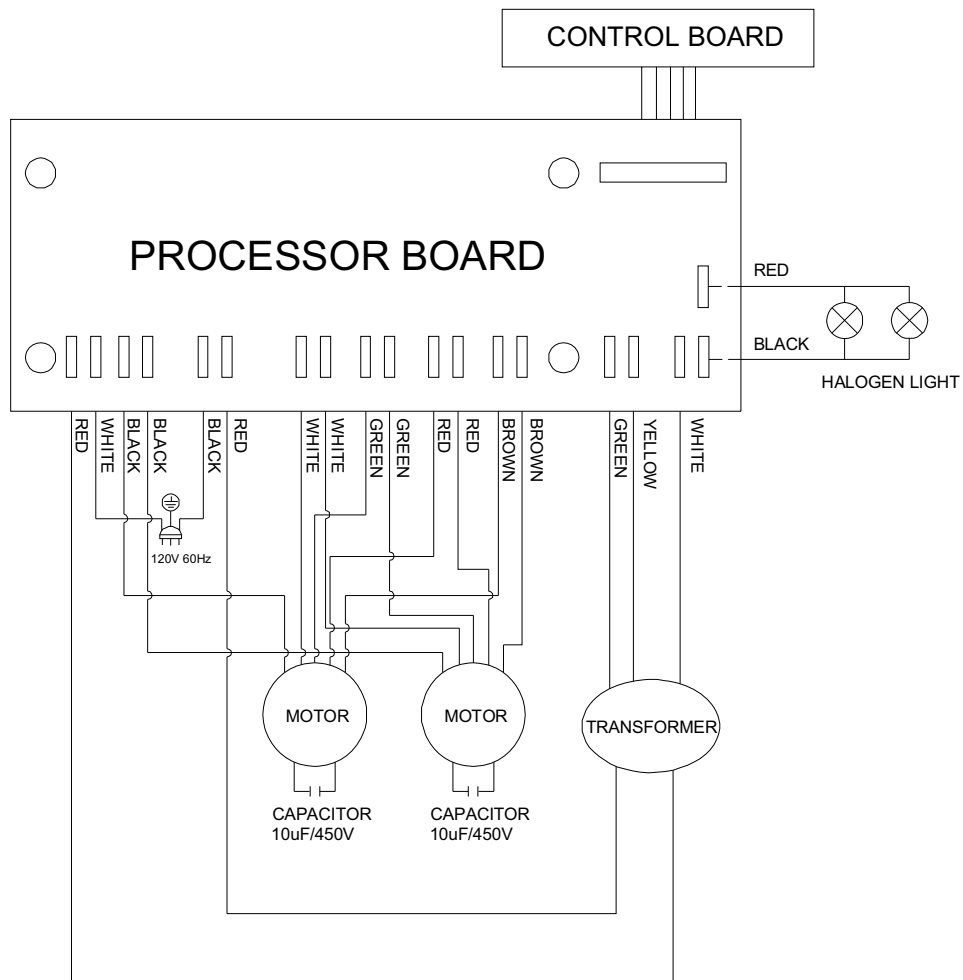
N<sup>os</sup> de modèle : CH7630SQB  
CH7636SQB

## ENGLISH

CONTROL BOARD  
PROCESSOR BOARD  
RED  
BLACK  
WHITE  
GREEN  
BROWN  
YELLOW  
HALOGEN LIGHT  
120V 60Hz  
CAPACITOR  
10uF/450V  
MOTOR  
TRANSFORMER

## FRENCH

TABLEAU DE COMMANDES  
CARTE PROCESSEUR  
ROUGE  
NOIR  
BLANC  
VERT  
BRUN  
JAUNE  
LAMPE À HALOGÈNE  
120 V, 60 Hz  
CONDENSATEUR  
10uF/450V  
MOTEUR  
TRANSFORMATEUR



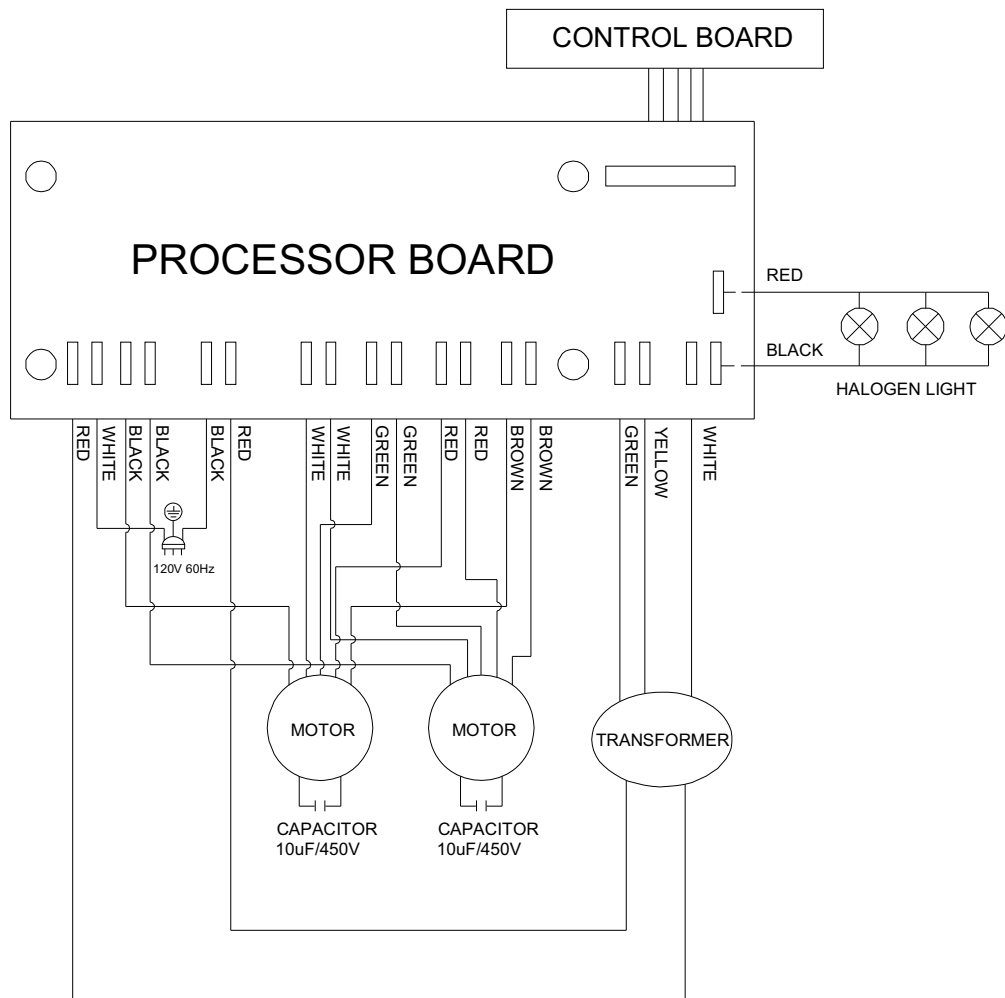
**N<sup>os</sup> DE MODÈLE : CH7642SQB  
CH7648SQB**

**ENGLISH**

CONTROL BOARD  
PROCESSOR BOARD  
RED  
BLACK  
WHITE  
GREEN  
BROWN  
YELLOW  
HALOGEN LIGHT  
120V 60Hz  
CAPACITOR  
10uF/450V  
MOTOR  
TRANSFORMER

**FRENCH**

TABEAU DE COMMANDES  
CARTE PROCESSEUR  
ROUGE  
NOIR  
BLANC  
VERT  
BRUN  
JAUNE  
LAMPE À HALOGÈNE  
120 V, 60 Hz  
CONDENSATEUR  
10uF/450V  
MOTEUR  
TRANSFORMATEUR



## TROUBLE SHOOTING

Problème	Cause probable	Solution
Après l'installation, les deux moteurs et les lumières ne fonctionnent pas.	Pas d'alimentation électrique. Assurez-vous que le disjoncteur et que l'alimentation électrique soient en marche.	Utilisez un voltmètre pour vérifier l'alimentation en électricité.
	Le câblage n'est pas bien installé.	Vérifiez et serrez les connexions de fils.
	Le câblage du panneau de commande et de la carte processeur est débranché.	Vérifiez le câblage au complet à partir du panneau de commande jusqu'à la carte processeur.
	Le transformateur du moteur est défectueux	Vérifiez l'entrée de courant et la sortie de courant du transformateur du moteur. Si nécessaire, remplacez le transformateur du moteur.
	Le panneau de commande ou la carte processeur est défectueux.	Remplacez le panneau de commande ou la carte processeur.
Les lumières fonctionnent, mais pas le(s) moteur(s).	Le(s) moteur(s) est (sont) défectueux.	Remplacez le(s) moteur(s).
	Le(s) condensateur(s) est (sont) défectueux.	Remplacez le(s) condensateur(s).
	Le panneau de commande ou la carte processeur est défectueux.	Remplacez le panneau de commande ou la carte processeur.
La hotte de cuisine vibre.	Le système de ventilation n'est pas bien installé.	Serrez la pale turbine/cage d'écureuil et le réservoir d'air.
	La pale turbine/cage écureuil n'est pas bien balancée.	Remplacez la pale turbine/cage d'écureuil.
	La hotte n'est pas assez bien serrée.	Vérifiez l'installation de la hotte, serrez le support de fixation.
Le moteur fonctionne, mais pas les lumières.	L'ampoule de la lampe halogène est défectueuse.	Essayez l'ampoule de lampe défectueuse sur une douille qui fonctionne. Si l'ampoule ne fonctionne toujours pas, remplacez-la.
	Le câblage de la lampe n'est pas assez serré.	Vérifiez le câblage au complet à partir de la carte processeur jusqu'au transformateur puis jusqu'au boîtier.
	Le transformateur de la lumière est défectueux.	Vérifiez l'entrée de courant et la sortie de courant du transformateur de lampe. Si nécessaire, remplacez le transformateur de lampe.
	Le panneau de commande ou la carte processeur est défectueux.	Remplacez le panneau de commande ou la carte processeur.
La hotte de cuisine ne ventile pas correctement.	La hotte de cuisine est installée hors des limites recommandées par le fabricant.	Ajustez le dégagement entre la hotte de cuisine et la table de cuisson pour qu'il soit de 27" à 30". Pour une hotte de cuisinière sur îlot, le dégagement entre la hotte de cuisine et la table de cuisson est de 30" à 36".
	Il n'y a pas d'air d'appoint à l'intérieur de la maison.	Ouvrez la fenêtre pour améliorer la performance de la hotte en créant suffisamment d'air d'appoint.
	Un obstacle bloque la canalisation.	Enlevez tous les obstacles de la canalisation.
	La canalisation est plus petite que la canalisation suggérée.	Changez la canalisation en accord avec les suggestions du fabricant.
De l'air froid entre dans la maison.	La connexion du conduit n'est pas scellée correctement.	Vérifiez l'installation du conduit.
	Le clapet n'est pas bien installé ou manque à l'installation.	Vérifiez l'installation du clapet.
	Le clapet n'est pas installé.	En installant le clapet, vous aiderez à éliminer le retour d'air.

## AVIS DE NON-RESPONSABILITÉ

1. **INSPECTER ATTENTIVEMENT TOUS LES ARTICLES POUR DÉCELER TOUT DOMMAGE, S'IL Y A LIEU, AVANT D'ACCEPTER LA LIVRAISON. NOTER TOUT DOMMAGE SUR LA FACTURE DE TRANSPORT OU LE CONNAISSEMENT. EXIGER LE NOM ET LA SIGNATURE DE L'EMPLOYÉ DU TRANSPORTEUR ET CONSERVER UNE COPIE COMME PIÈCE JUSTIFICATIVE DE LA RÉCLAMATION.**

Sur acceptation des articles, le propriétaire assume la responsabilité de l'état dans lequel se trouvent les articles à la livraison. Les dommages doivent être déclarés au transporteur et une réclamation doit être déposée à défaut de quoi le transporteur pourrait refuser d'honorer la réclamation. Le transporteur fournira les formulaires nécessaires pour effectuer une réclamation. **LES DOMMAGES CAUSÉS DURANT LE TRANSPORT NE SONT PAS COUVERTS PAR NOTRE GARANTIE.**

2. **PRIÈRE DE BIEN VÉRIFIER LE CONTENU DE L'EMBALLAGE (DES EMBALLAGES) À LA RÉCEPTION!** Vous devez nous aviser par écrit de tout dommage ou de toute pièce manquante à l'intérieur du délai alloué à partir de la réception de la marchandise. Communiquer avec votre représentant ou distributeur local de KOBÉ ou appeler chez KOBÉ pour connaître le délai alloué. **LES RÉCLAMATIONS QUI NOUS PARVIENDRONT APRÈS LE DÉLAI ALLOUÉ SERONT REFUSÉES.**

NOTE : TOUS LES ARTICLES ONT ÉTÉ MIS À L'ESSAI MINUTIEUSEMENT ET EMBALLÉS AVEC SOIN À NOTRE USINE.

3. Les produits doivent être retournés en bonne condition de fonctionnement avec TOUTES les pièces d'origine et la documentation et dans TOUS les emballages d'origine (boîtes de carton et matériel de remplissage). Des frais de reconstitution de stocks de 25 % seront facturés pour tous les retours autorisés. **LES ÉCHANGES OU LES RETOURS PEUVENT ÊTRE REFUSÉS SI UNE PARTIE DE L'EMBALLAGE EST MANQUANTE.**

4. **INSPECTER AVEC SOIN LA HOTTE POUR DÉCELER TOUT DOMMAGE OU DÉFAUT AVANT L'INSTALLATION.** Les défauts dans l'apparence de la hotte décelés après l'installation et n'ayant aucune incidence sur son rendement ne sont pas couverts par notre garantie et ne peuvent constituer une raison valable pour un retour ou un échange. Des frais seront facturés pour les appels de service non couverts par notre garantie.  
A) Avant l'installation : retour pour échange ou remboursement (veuillez voir plus haut les raisons valables pour un retour).  
B) Après l'installation : **AUCUN** échange ou remboursement.

## **GARANTIE**

### **CERTIFICAT DE GARANTIE**

Tous les produits fabriqués ou fournis par KOBE Range Hoods, Inc. sont garantis contre tout défaut de fabrication et de matière première. Les obligations du fabricant dans le cadre de la présente garantie sont limitées à une période de deux (2) ans à partir de la date d'achat et à la réparation ou au remplacement, à sa discrétion, conformément aux modalités et conditions énoncées plus bas, de tout composant qu'il jugera défectueux après examen.

### **PÉRIODE DE GARANTIE DE DEUX (2) ANS**

Toute défaillance couverte par la garantie se produisant dans les deux (2) ans à compter de la date d'achat d'origine et découlant d'une fabrication ou d'une matière première défectueuse sera réparée (ou, à notre discrétion, l'appareil pourra être remplacé), sans frais, par un agent autorisé de KOBE Range Hoods, Inc. ou par KOBE Range Hoods, Inc. selon le cas. Conservez votre preuve d'achat (ou facture d'origine) pour inspection.

Si la hotte de cuisinière est vendue par l'acheteur d'origine au cours de la période de garantie, le nouveau propriétaire sera protégé jusqu'à l'expiration de la garantie de l'acheteur d'origine.

### **CONDITIONS**

Les conditions suivantes s'appliquent seulement en relation avec la garantie accordée expressément par le présent certificat.

- 1) La présente garantie est valide uniquement:
  - a) aux États-Unis et au Canada;
  - b) si la hotte de cuisinière est utilisée pour un **USAGE FAMILIAL UNIQUE** (si la hotte sert à un **USAGE COMMERCIAL OU À PLUSIEURS FAMILLES OU À D'AUTRES FINS**, la garantie sera nulle et non avenue).
- 2) La réparation de tout défaut couvert par la présente garantie ne sera pas couverte:
  - a) si le numéro d'identification de la hotte a été altéré, rendu illisible ou enlevé;
  - b) si le défaut n'a pas été déclaré au cours de la période de garantie applicable;
  - c) dans le cas d'ampoules brûlées;
  - d) dans le cas de tout dommage physique;
  - e) pour des surfaces endommagées par l'utilisation de produits nettoyants inappropriés;
  - f) si l'appareil a été:
    - i) soumis à un mauvais usage, un abus, une négligence, un accident, une installation inadéquate ou si les instructions du mode d'emploi n'ont pas été respectées;
    - ii) branché à une alimentation électrique ou à des conduits d'évacuation inappropriés, inadéquats ou défectueux ou opéré avec l'emploi de lubrifiants inadéquats ou contaminés;
    - iii) installé, entretenu ou opéré autrement qu'en conformité avec les instructions fournies par KOBE Range Hoods, Inc. incluant l'utilisation inappropriée de détergents, javellisants ou nettoyants.
  - g) pour tout dommage à la hotte durant le transport, la livraison, l'installation ou l'enlèvement ;
  - h) pour tout dommage résultant d'un essai de réparation effectué par une autre personne que par un technicien de service autorisé par KOBE.

- 3) L'acheteur sera responsable de tous les frais requis pour rendre la hotte facilement accessible au service et, lorsque la hotte est installée à l'extérieur du territoire de ventes principal du détaillant ou du territoire de service de l'agent autorisé de KOBE Range Hoods le plus près, selon le cas, de tous les frais de déplacement et de tous les frais de transport de la hotte ou de pièces de celle-ci jusqu'au détaillant ou au technicien de service (aller-retour).
- 4) L'acheteur doit fournir la preuve d'achat de même que le présent certificat de garantie au moment de faire une réclamation.
- 5) Les dommages causés durant l'expédition ne sont pas couverts sous la présente garantie.

### **DOMMAGES INDIRECTS**

KOBE Range Hoods, Inc. ne sera pas tenue responsable des dommages indirects. CERTAINS ÉTATS ET CERTAINES PROVINCES NE PERMETTENT PAS L'EXCLUSION DES DOMMAGES INDIRECTS. EN CONSÉQUENCE, LA PRÉSENTE EXCLUSION PEUT NE PAS S'APPLIQUER DANS VOTRE CAS.

### **GARANTIES TACITES / RÉGLEMENTATION**

Toutes les garanties tacites, incluant la garantie implicite de qualité marchande et de pertinence dans un but particulier, imposées par la réglementation de l'état ou de la province d'achat, sont limitées à une durée de deux (2) ans à compter de la date d'achat d'origine. Certains états ou provinces ne permettent pas les limitations ayant trait à la durée d'une garantie tacite; en conséquence, les exclusions ou limitations énoncées plus haut peuvent ne pas s'appliquer dans votre cas. La présente garantie vous donne des droits légaux précis et vous pouvez avoir d'autres droits pouvant varier d'un état à l'autre ou d'une province à l'autre.

### **SERVICE**

Pour obtenir du service :

KOBE Range Hoods  
11775 Clark St.  
Arcadia, CA 91006  
U.S.A.  
Tél.: 1-877-BUY-KOBE (1-877-289-5623)

Courriel : [customer.service@KOBERangeHoods.com](mailto:customer.service@KOBERangeHoods.com)  
Site Web : [www.KOBERangeHoods.com](http://www.KOBERangeHoods.com)

## ENREGISTREMENT DU PRODUIT

### Enregistrez votre produit!

Toute défaillance couverte par la garantie se produisant dans les deux ans à compter de la date d'achat d'origine et découlant d'une fabrication ou d'une matière première défectueuse sera réparée ou, à notre discrétion, l'appareil pourra être remplacé, sans frais, par un agent autorisé de KOBE Range Hoods, Inc. ou par KOBE Range Hoods, Inc. selon le cas. Conservez votre preuve d'achat (ou facture d'origine) pour inspection.

Si la hotte de cuisinière est vendue par l'acheteur d'origine au cours de la période de garantie, le nouveau propriétaire sera protégé jusqu'à l'expiration de la garantie de l'acheteur d'origine. Voir le certificat de garantie pour la couverture complète de la garantie.

Cet appareil a été fabriqué, mis à l'essai et inspecté conformément aux normes exigées par KOBE Range Hoods, Inc.

### **SVP, POSTER VOTRE FICHE D'ENREGISTREMENT DE PRODUIT AVEC VOTRE PREUVE D'ACHAT À :**

KOBE Range Hoods  
11775 Clark St.  
Arcadia, CA 91006 U.S.A.

### **INSCRIRE LES RENSEIGNEMENTS SUIVANTS POUR NOS DOSSIERS :**

N° de modèle \_\_\_\_\_

N° de série \_\_\_\_\_

Date d'achat \_\_\_\_ / \_\_\_\_ / \_\_\_\_

Nom et adresse du détaillant :

\_\_\_\_\_  
\_\_\_\_\_  
\_\_\_\_\_

**IMPORTANT : VEUILLEZ AVOIR EN MAIN UNE COPIE DE VOTRE FACTURE LORSQUE VOUS EFFECTUEZ UN APPEL DE SERVICE.**



**KOBE**<sup>®</sup>

KOBE Range Hoods  
11775 Clark St.  
Arcadia, CA 91006 U.S.A.

<http://www.KOBERangeHoods.com>

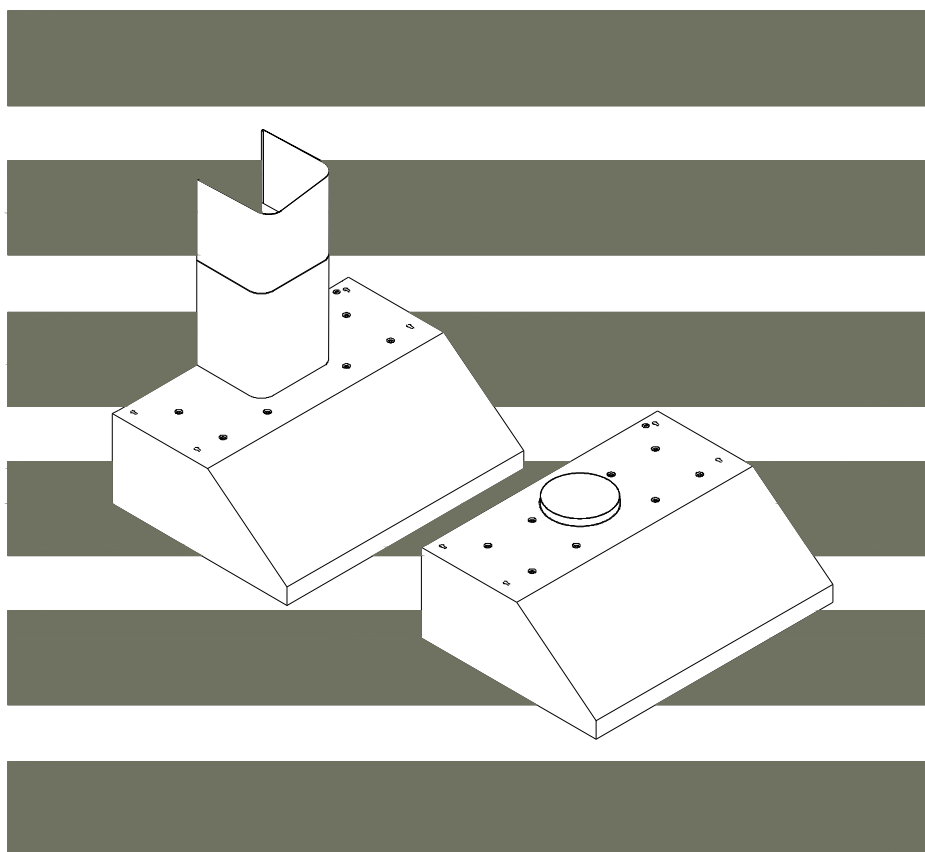
Cette hotte KOBE est fabriquée pour usage aux États-Unis et au Canada seulement. Il n'est pas recommandé d'utiliser cette hotte à l'étranger puisque l'alimentation électrique pourrait ne pas être compatible et enfreindre le code de l'électricité de ce pays. **L'usage de la hotte KOBE à l'étranger est à votre propre risque et la garantie sera annulée.**

VER.080318

# **KOBE**® Campana de Extracción KOBE

**Modelo No. CH7630SQB (30")**  
**CH7636SQB (36")**  
**CH7642SQB (42")**  
**CH7648SQB (48")**

**SERIE CH-176 – ALTURA DE 10"**



**INSTRUCCIONES DE INSTALACIÓN Y MANUAL DE  
OPERACIÓN**

- LEA Y CONSERVE ESTAS INSTRUCCIONES -

ÍNDICE

<b>INSTRUCCIONES IMPORTANTES DE SEGURIDAD.....</b>	<b>73</b>
<b>COMPONENTES DEL PAQUETE.....</b>	<b>75</b>
<b>INSTALACIÓN.....</b>	<b>76</b>
<b>INSTALACIÓN DEBAJO DEL GABINETE.....</b>	<b>78</b>
<b>INSTALACIÓN INDEPENDIENTE .....</b>	<b>81</b>
<b>INSTRUCCIONES DE OPERACIÓN.....</b>	<b>85</b>
<b>MANTENIMIENTO .....</b>	<b>87</b>
<b>ESPECIFICACIONES .....</b>	<b>89</b>
<b>MEDIDAS Y DIAGRAMAS .....</b>	<b>90</b>
<b>LISTADO DE PIEZAS .....</b>	<b>95</b>
<b>DIAGRAMA DE CIRCUITO .....</b>	<b>99</b>
<b>INSTRUCCIONES IMPORTANTES DE SEGURIDAD.....</b>	<b>101</b>
<b>CLÁUSULA DE EXENCIÓN .....</b>	<b>102</b>
<b>GARANTÍA .....</b>	<b>103</b>
<b>REGISTRO DEL PRODUCTO .....</b>	<b>105</b>

- LEA CUIDADOSAMENTE TODAS LAS INSTRUCCIONES ANTES DE  
COMENZAR -

A TODO EL CABLEADO DEBERÁ REALIZARSE POR UN PROFESIONAL  
Y DE ACUERDO CON TODOS LOS CÓDIGOS ELÉCTRICOS NACIONALES  
Y LOCALES



## INSTRUCCIONES IMPORTANTES DE SEGURIDAD

**- POR FAVOR, LEA CUIDADOSAMENTE ESTA SECCIÓN ANTES DE INSTALAR-**

**⚠️ ADVERTENCIA:** PARA REDUCIR EL RIESGO DE INCENDIO, ELECTROCUCIÓN O LESIÓN PERSONAL, TOMA EN CUENTA LO SIGUIENTE:

- 4) La instalación y el cableado eléctrico deberán realizarse por profesionales calificados y de acuerdo con todos los códigos y estándares correspondientes, incluyendo los códigos y normas sobre la construcción para prevenir incendios.
- 5) Al cortar o perforar una pared o techo, tenga cuidado de no dañar el cableado eléctrico u otras instalaciones de servicios ocultas.
- 6) Los ventiladores con conductos deberán tener una ventilación hacia el exterior.
  - a) Antes de darle servicio o limpiar la unidad, abra el panel de la luz y DESCONECTE EL SUMINISTRO ELÉCTRICO EN EL PANEL DE SERVICIO.
  - b) Limpie frecuentemente las superficies saturadas con grasa. Para reducir el riesgo de incendio y para dispersar el aire adecuadamente, asegúrese de ventilar el aire al exterior. NO ventile el aire del escape en espacios cerrados entre paredes, áticos, espacios de acceso debajo de pisos o garajes.

NOTA - Esta garantía no es válida sin un recibo de un agente autorizado o si la unidad se ha dañado debido al maltrato, mala instalación, uso inadecuado, abuso, negligencia o cualquier otra circunstancia que se encuentre fuera del control de los agentes autorizados de KOBE RANGE HOODS. Cualquier reparación que se realice sin la supervisión de los agentes autorizados de KOBE RANGE HOODS anulará la garantía automáticamente.

- KOBE RANGE HOODS no se hará responsable por cualquier daño a la propiedad personal o inmobiliario ni por las lesiones físicas que se hayan causado ya sea directa o indirectamente por la campana de extracción.

**⚠️ ADVERTENCIA:** PARA REDUCIR EL RIESGO QUE OCURRAN LESIONES PERSONALES EN CASO DE UN INCENDIO CAUSADO POR LA GRASA ACUMULADA EN LAS HORNILLAS DE LA ESTUFA:

- Mantenga limpios todos los ventiladores, deflectores/separadores/filtros/conductos de aceite/recipientes para aceite y las superficies saturadas con grasa. No deberá permitirse que la grasa se acumule en el ventilador, deflector/separador/filtro/conducto de aceite/ recipiente para aceite.
- Siempre ENCIENDA el extractor cuando cocine.
- Utilice las configuraciones altas en la estufa SOLAMENTE cuando sea necesario.
- No deje la estufa sin supervisión mientras esté cocinando.
- Siempre utilice utensilios de cocina adecuados para el tipo y cantidad de alimentos que prepara. Utilice esta unidad únicamente de la manera en que fue diseñada por el fabricante.
- Antes de darle servicio, desconecte el suministro eléctrico en el panel de servicio y cierre bajo llave el panel de servicio (de ser posible) para prevenir que la unidad se encienda accidentalmente.
- Limpie el ventilador con frecuencia.

## Qué Hacer en Caso de un Incendio Causado por la Grasa Acumulada en las Hornillas de la Estufa

- SOFOQUE LAS LLAMAS con una tapadera, una bandeja para hornear galletas o una bandeja de metal que quede bien ajustada y luego apague la hornilla. MANTENGA TODO EL MATERIAL INFLAMABLE O COMBUSTIBLE LEJOS DE LAS LLAMAS. Si las llamas no se apagan inmediatamente, EVACUE EL ÁREA Y LLAME AL DEPARTAMENTO DE BOMBEROS o al 911.
- NUNCA LEVANTE UN SARTÉN QUE SE ESTÉ QUEMANDO – Usted Podría Quemarse.
- NO UTILICE AGUA, incluyendo paños o toallas mojadas - esto resultará en una explosión violenta de vapor.
- Utilice un extinguidor SOLO si:
  - 1) Cuenta con un extinguidor Clase A, B, C y sabe cómo utilizarlo.
  - 2) El incendio es pequeño y se ha contenido en el área en donde comenzó.
  - 3) Ha llamado al departamento de bomberos.
  - 4) Puede combatir el incendio con su espalda dirigida hacia una salida.

## Qué Hacer si Siente Olor a Gas

- Apague cualquier llama abierta.
- No intente encender las luces o cualquier otro tipo de aparato.
- Abra todas las puertas y ventanas para dispersar el gas. Si aún así siente olor a gas, llame a la Compañía de Gas y al Departamento de Bomberos inmediatamente.

## **⚠PRECAUCIÓN**

- 6) Solamente para ventilación general. No utilizar para eliminar materiales y vapores peligrosos o explosivos.
- 7) Para reducir el peligro de incendio, utilice solamente una red de conductos metálicos. Necesita aire suficiente para la combustión y eliminación de gases por medio del conducto de ventilación (chimenea) para prevenir la explosión de flujo de aire en retroceso.
- 8) Siga las directrices y estándares de seguridad del fabricante del equipo de calefacción, tales como aquellos publicados por la Asociación de Protección contra Incendios (National Fire Protection Association – NFPA) y la Sociedad Americana de Ingenieros en Calefacción, Refrigeración y Aire Acondicionado (American Society for Heating, Refrigeration and Air Conditioning Engineers – ASHRAE) y las autoridades normativas.
- 9) Activar cualquier interruptor podría causar una explosión o ignición.
- 10) Debido al tamaño y peso de esta campana de extracción, se recomienda que la instalación sea realizada por dos personas.

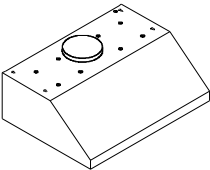


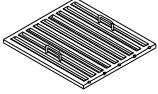
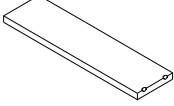


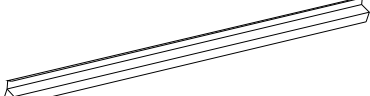
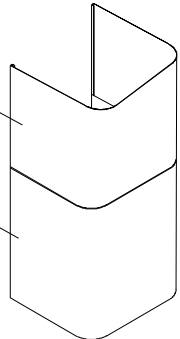
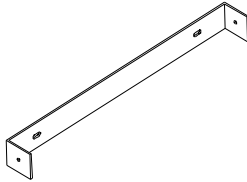
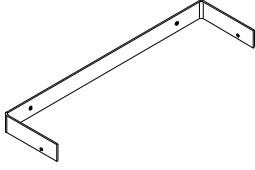

### **ADVERTENCIA**



**RIESGO DE ELECTROCUCIÓN – Puede resultar en lesiones serias o la muerte. Desconecte el aparato del suministro eléctrico antes de darle servicio. Si estuviera equipado con éste, el foco fluorescente, debido a que contiene pequeñas cantidades de mercurio, deberá reciclarse o desecharse según los Códigos Locales, Estatales y Federales**

## COMPONENTES DEL PAQUETE

(Debe conservar todo el material en caso de devolverlo o solicitar un reembolso)

Caja de la Campana de Extracción	Caja de la Cubierta de Conductos – Modelo No.: CH1120DC (Se Vende por Separado)
<p> <b>{A}</b> Campana de Extracción KOBE  <b>{B}</b> Tarjeta de Registro de Garantía  <b>{C}</b> Manual de Instrucciones  <b>{D}</b> Filtro Deflector                      -- 2 (30", 36", 42")                      -- 3 (48")  <b>{E}</b> Separador de Acero Inoxidable                      -- 0 (30")                      -- 1 (36")                      -- 3 (42")                      -- 2 (48")  <b>{F}</b> Soporte de Montaje de la Campana con Paquete de Tornillos  <b>{G}</b> Base de Goma  <b>{H}</b> Conducto de Aceite                 </p>        <p>3/16" X 1/2" (ε (8 piezas)</p> <p>Base de Goma (2 piezas)</p> 	<p> <b>{I}</b> Cubierta de Conductos KOBE (Modelo No. CH1120DC)  <b>{J}</b> Soporte de Montaje de la Cubierta de Conductos Interna  <b>{K}</b> Soporte de Montaje de la Cubierta de Conductos Externa  <b>{L}</b> Paquete de Tornillos                 </p>  <p>Cubierta de Conductos Interna</p> <p>Cubierta de Conductos Externa</p>    <p>1/8" X 3/8" (4 Piezas)</p>

PARA OBTENER MÁS INFORMACIÓN, POR FAVOR VISITE NUESTRO SITIO DE INTERNET [WWW.KOBERangeHoods.COM](http://WWW.KOBERangeHoods.COM) O CONTACTE A KOBE RANGE HOODS AL (626) 775-8880.

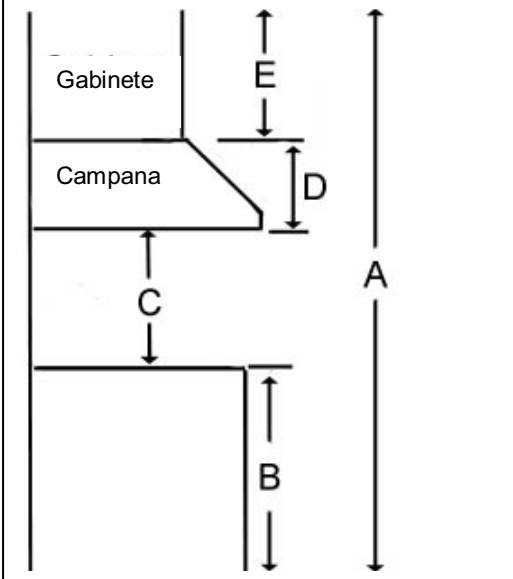
## INSTALACIÓN

POR FAVOR, LEA LAS INSTRUCCIONES COMPLETAMENTE ANTES DE CONTINUAR

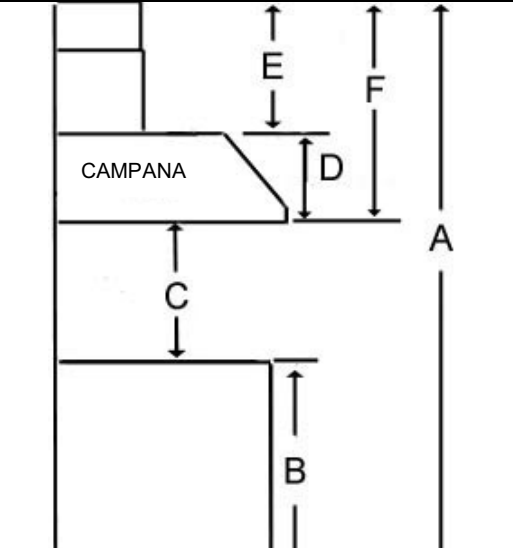
### Cálculo antes de la Instalación

Para realizar el cálculo para la instalación, por favor consulte la TABLA 1 o TABLA 2. (Todos los cálculos están hechos en pulgadas).

#### - PARA DEBAJO DEL GABINETE -

<p><b>TABLA 1</b></p> <p>A = Altura del Piso al Techo B = Altura del Piso a la Superficie del Mostrador (Estándar: 36") <b>C = Altura Preferida de la Superficie del Mostrador a Parte Inferior de la Campana (Se recomienda de 27" a 30")</b> D = Altura de la Campana E = Altura del Gabinete</p>	
---	---

#### - INDEPENDIENTE (CON CUBIERTA DE CONDUCTOS OPCIONAL) -

<p><b>TABLA 2</b></p> <p>A = Altura del Piso al Techo B = Altura del Piso a la Superficie del Mostrador (Estándar: 36") <b>C = Altura Preferida de la Superficie del Mostrador a Parte Inferior de la Campana (Se recomienda de 27" a 30")</b> D = Altura de la Campana E = Altura de la Cubierta de Conductos [F - D] F = Altura de Instalación de la Campana [A - (B+C)]</p>	
--	--

## **⚠️ ADVERTENCIA DE SEGURIDAD**

LA CAMPANA PODRÍA TENER EXTREMOS SUMAMENTE FILOSOS; FAVOR DE UTILIZAR GANTES PROTECTORES SI VA A RETIRAR CUALQUIER PIEZA PARA INSTALAR, LIMPIAR O DARLE SERVICIO.

NOTA: TENGA MUCHO CUIDADO AL UTILIZAR UN DESTORNILLADOR ELÉCTRICO; PODRÍA CAUSAR DAÑOS A LA CAMPANA.

### Índice de Instalación

<b>INSTALACIÓN DEBAJO DEL GABINETE .....</b>	<b>78</b>
<b>PREPARACIÓN ANTES DE LA INSTALACIÓN .....</b>	<b>78</b>
<b>INSTALACIÓN DE LA CAMPANA .....</b>	<b>78</b>
<b>INSTALACIÓN DE LA RED DE CONDUCTOS .....</b>	<b>79</b>
<b>CABLEADO HACIA LA FUENTE DE ALIMENTACIÓN.....</b>	<b>79</b>
<b>ACCESORIOS .....</b>	<b>80</b>
<b>ENSAMBLADO FINAL .....</b>	<b>80</b>
<b>INSTALACIÓN INDEPENDIENTE.....</b>	<b>81</b>
<b>PREPARACIÓN ANTES DE LA INSTALACIÓN .....</b>	<b>81</b>
<b>PREPARACIÓN DE LA CAMPANA ANTES DE LA INSTALACIÓN .....</b>	<b>81</b>
<b>INSTALACIÓN DE LA CAMPANA .....</b>	<b>81</b>
<b>CABLEADO HACIA LA FUENTE DE ALIMENTACIÓN.....</b>	<b>82</b>
<b>INSTALACIÓN DE LA CUBIERTA DE CONDUCTOS .....</b>	<b>83</b>
<b>ACCESORIOS .....</b>	<b>83</b>
<b>ENSAMBLADO FINAL .....</b>	<b>84</b>

## INSTALACIÓN DEBAJO DEL GABINETE

### Preparación antes de la Instalación

NOTA: PARA EVITAR CAUSAR DAÑOS A SU CAMPANA, EVITE QUE DESECHOS PENETREN EN LA RENDIJA DE VENTILACIÓN.

- Decida la ubicación para colocar el conducto de ventilación de la campana hacia el exterior. Refiérase a la Figura 1.
- Un ducto de escape recto y corto permitirá que la campana trabaje con más eficiencia.
- Intente evitar tantas conexiones, codos y ductos largos como sea posible. Esto podría reducir el rendimiento de la campana.
- Antes de instalar, conecte temporalmente la campana para verificar que funcione adecuadamente.
- ⌚ **Importante: Retire la película protectora de la campana (si hay alguna).**
- ⌚ Utilice cinta de aislar para sellar las uniones entre las secciones del tubo.
- Para instalar debajo del gabinete con la parte inferior empotrada, coloque cintas para rellenar madera de 4 pulgadas de ancho (no incluidas) de cada lado. Refiérase a la Figura 2.
- ⌚ Utilizando las referencias en la TABLA 1 y las Medidas y Diagramas en la página 90, cree una abertura de acceso para los cables eléctricos y el escape de la campana debajo del gabinete.

### Instalación de la Campana

**⚠ PRECAUCIÓN:** Si fuera necesario mover la estufa para instalar la campana, apague la electricidad en la caja eléctrica principal si es una estufa eléctrica. **APAGUE EL GAS ANTES DE MOVER UNA ESTUFA DE GAS.**

1. Perfore los orificios preperforados en la campana (para montaje debajo del gabinete) como se muestra en la Figura 3.
2. Si fuera necesario, coloque dos bases de goma (incluidas) con cinta de adhesiva 3M (proporcionada) en las esquinas traseras de la campana.
3. Utilizando las referencias en la TABLA 1 y las Medidas y Diagramas en la página 90 centre la campana debajo del gabinete y nivele con el frente del gabinete.

Figura 1

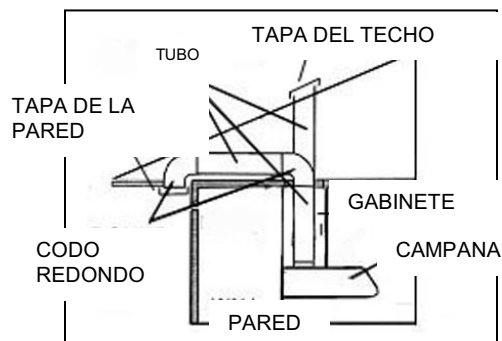


Figura 2

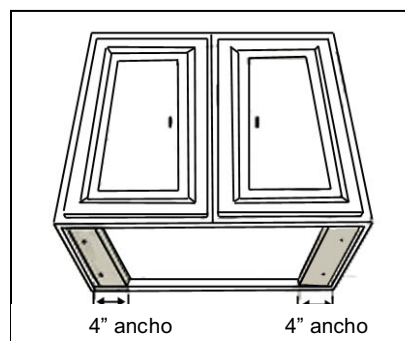
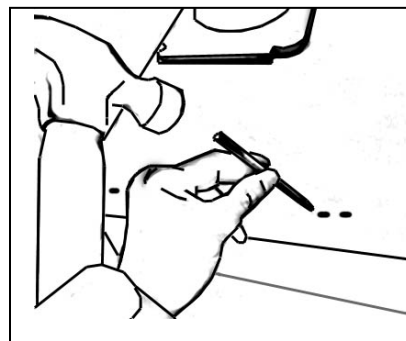


Figura 3



4. Tire de los cables eléctricos a través del orificio de acceso del gabinete.
5. Desde la parte interna de la campana, coloque el tornillo (no incluido) en el centro exacto de cada agujero preperforado y asegúrelo al fondo del gabinete. Una vez que todos los tornillos de montaje estén en su lugar, termine de apretarlos hasta que estén seguros.

**⚠ PRECAUCIÓN: ASEGÚRESE QUE LA CAMPANA ESTE FIJA ANTES DE SOLTARLA.**

6. Como propósito de seguridad, los agujeros de montaje preperforados deben ser puestos por la parte trasera de la campana. Para una instalación más segura, utilice tantos agujeros de montaje como sean necesarios para asegurar desde el interior de la campana (los tornillos no son incluidos).

### Instalación de la Red de Conductos

7. Utilice un tubo redondo de acero de 7" (siga las normas de construcción en su área) para conectar el escape en la campana a la red de conductos de arriba. Utilice cinta de aislar para hacer que todas las uniones queden seguras y herméticas. Refiérase a la Figura 4.

### Cableado Hacia la Fuente de Alimentación

**⚠ ADVERTENCIA DE SEGURIDAD RIESGO DE ELECTROCUCIÓN. ESTA CAMPANA DE EXTRACCIÓN DEBE TENER UNA CONEXIÓN A TIERRA ADECUADA. ASEGÚRESE QUE ESTO SEA REALIZADO POR UN ELECTRICISTA ESPECIALIZADO DE ACUERDO CON TODOS LOS CÓDIGOS APLICABLES NACIONALES Y LOCALES DE ELECTRICIDAD. ANTES DE CONECTAR LOS CABLES, APAGUE LA ENERGÍA EN EL PANEL DE SERVICIO Y CIERRE EL PANEL DE SERVICIO PARA PREVENIR QUE LA ENERGÍA SEA ENCENDIDA ACCIDENTALMENTE.**

8. Conecte los cables eléctricos.
  - Conecte tres cables (negro, blanco y verde) a los cables de la casa y tápelos con los conectores de cables. Conecte de acuerdo a su color: negro con negro, blanco con blanco, y verde con verde, como se muestra en la Figura 5.
  - Almacene los cables dentro de la caja del cableado.

Figura 4

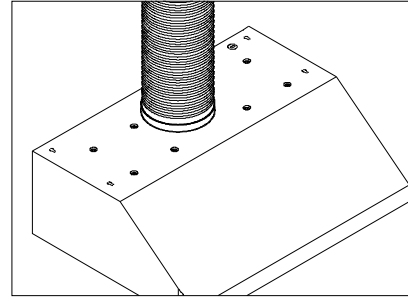


Figura 5

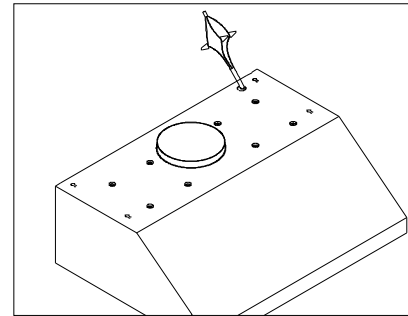
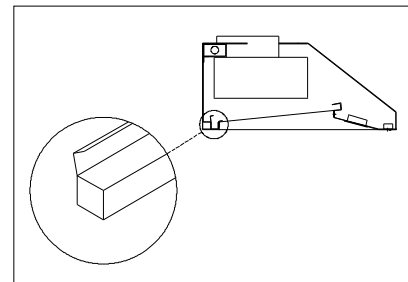


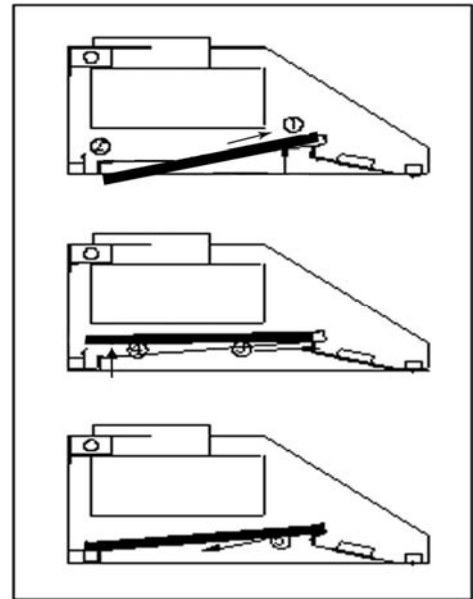
Figura 6



## Accesorios

9. Deje caer el conducto de aceite dentro del soporte vacío cerca de la parte trasera de la campana. Refiérase a la Figura 6.
10. Instale los filtros deflectores y los separadores inoxidable. Refiérase a las Medidas y Diagramas en la página 94 para la colocación del filtro deflector y del separador inoxidable. Coloque el filtro deflector en ángulo hacia la parte trasera de la campana①. Empuje el filtro deflector hacia arriba hasta que casi este a nivel②. Deslícelo hacia delante dentro del vacío detrás del frente de la campana③. Baje el filtro del deflector④. Deslícelo hacia atrás hasta que se ajuste en posición de descanso.⑤. Refiérase a la Figura 7.
11. Repita el paso 10 para instalar todos los filtros deflectores y los separadores inoxidable.

Figura 7



## Ensamblado Final

12. ENCIENDA en el panel de control. Revise el funcionamiento de todas las luces y el ventilador.
13. Asegúrese de dejar este manual para el propietario de la casa.

## INSTALACIÓN INDEPENDIENTE

\*\*\* Esta instalación solo aplica si se instala con la cubierta de conductos CH1120DC.

### Preparación antes de la Instalación

NOTA: PARA EVITAR CAUSAR DAÑOS A SU CAMPANA, EVITE QUE DESECHOS PENETREN EN LA RENDIJA DE VENTILACIÓN

- Decida la ubicación para colocar el conducto de ventilación de la campana hacia el exterior. Refiérase a la Figura 8
- Un ducto de escape recto y corto permitirá que la campana trabaje con más eficiencia.
- Intente evitar tantas conexiones, codos y ductos largos como sea posible. Esto podría reducir el rendimiento de la campana.
- Conecte temporalmente la campana para probar que funcione correctamente antes de instalarla.
- **Importante: Retire la película de la campana y cubiertas de conductos, si hubiera alguna.**
- Utilice cinta de aislar para sellar las uniones entre las secciones de la pipa.
- Si fuera necesario, prepare un marco trasero en la pared con madera de entramado para una instalación segura.
- Utilizando las referencias de la Tabla 2 y medidas en la página 91-93, decida el nivel de la madera. (Figura 9).

### Preparación de la Campana antes de la Instalación

- Si fuera necesario, adhiera con cinta adhesiva 3M (incluida) dos bases de goma (incluidas) a las esquinas traseras de la campana.
- Adhiera el soporte de montaje de la cubierta de conductos exterior {K} (incluido) al soporte de montaje de la campana {F} (incluido) con dos tornillos (3/16" x 1/2")(incluidos) como se muestra en la Figura 10.
- Adhiera el soporte de montaje de la campana {F} a la parte trasera de la campana con seis tornillos (3/16" x 1/2") (incluidos) como se muestra en la Figura 11.

### Instalación de la Campana

**⚠ PRECAUCIÓN:** Si fuera necesario mover la estufa para instalar la campana, apague la electricidad si es una estufa eléctrica en la caja eléctrica principal. **APAGUE EL GAS ANTES DE MOVER UNA ESTUFA DE GAS.**

Figura 8

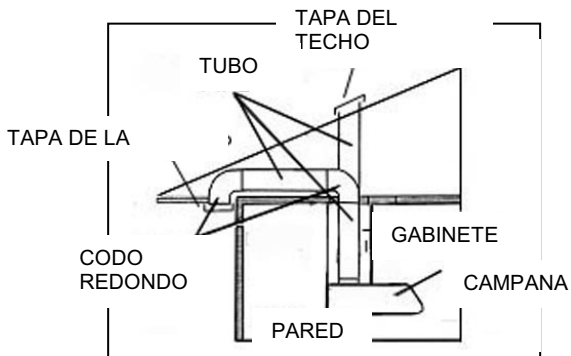


Figura 9

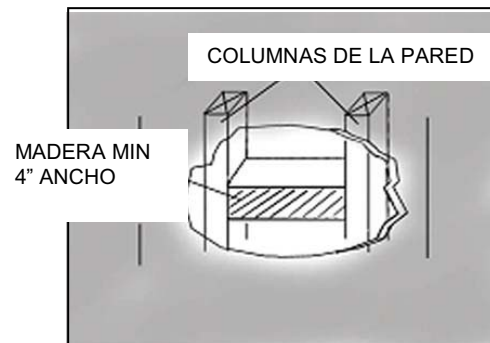


Figura 10

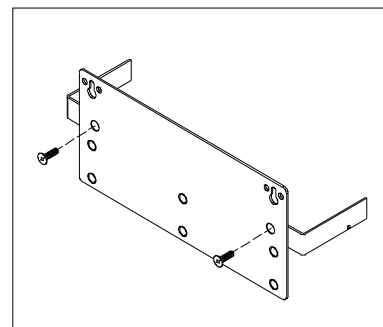
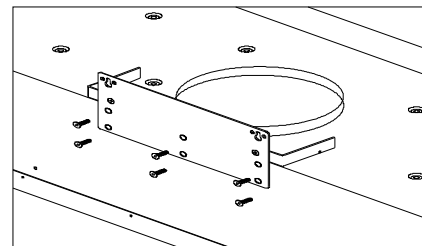


Figura 11



1. Utilizando las referencias en la TABLA 1 y las Medidas y Diagramas en las paginas 91-93, marque el punto de nivel de la campana. Posicione dos tornillos de montaje (no incluidos) en la pared, dejando un espacio leños de la misma de 1/8".
2. Perfore el agujero de acceso preperforado en la parte trasera de la campana y tire de los cables eléctricos por medio de este como se muestra en la Figura 12.
3. Alinee el soporte de montaje de la campana con los tornillos en la pared y enganche la campana en su lugar como se muestra en la Figura 13. Apriete los tornillos para asegurar la campana a la pared.
4. Para propósito de seguridad, los agujeros de montaje preperforados están hechos en la parte trasera de la campana. Para una instalación mas segura, utilice tantos agujeros de montaje como sea necesario para asegurar la campana desde el interior (los tornillos no se incluyen).

**⚠ PRECAUCIÓN: ASEGÚRESE QUE LA CAMPANA ESTE FIJA ANTES DE SOLTARLA.**

### Cableado Hacia la Fuente de Alimentación

**⚠ ADVERTENCIA DE SEGURIDAD RIESGO DE ELECTROCUCIÓN. ESTA CAMPANA DE EXTRACCIÓN DEBE SER PROPIAMENTE PUESTA A TIERRA. ASEGÚRESE QUE ESTO SEA REALIZADO POR UN ELECTRICISTA ESPECIALIZADO DE ACUERDO CON TODOS LOS CÓDIGOS APLICABLES NACIONALES Y LOCALES DE ELECTRICIDAD. ANTES DE CONECTAR LOS CABLES, APAGUE LA ENERGÍA EN EL PANEL DE SERVICIO Y CIERRE EL PANEL DE SERVICIO PARA PREVENIR QUE LA ENERGÍA SEA ENCENDIDA ACCIDENTALMENTE.**

5. Conecte los cables eléctricos.
  - Conecte tres cables (negro, blanco y verde) a los cables de la casa y tápelos con los conectores de cables.
  - Conecte de acuerdo a su color: negro con negro, blanco con blanco, y verde con verde como se muestra en la Figura 14.
  - Guarde los cables en la caja del cableado.

Figura 12

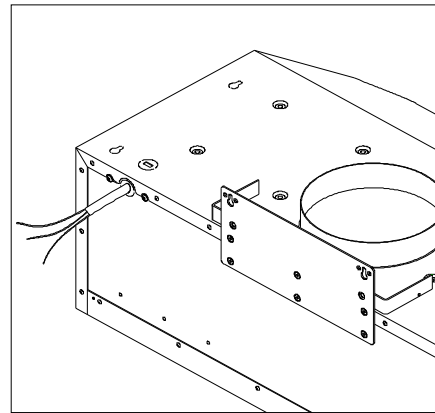


Figura 13

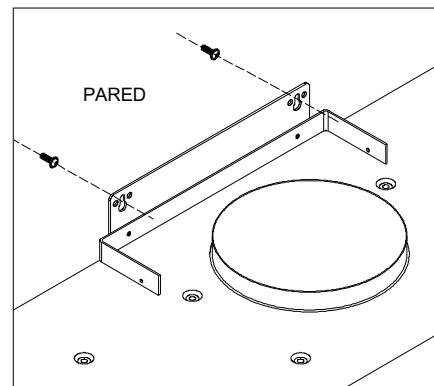


Figura 14

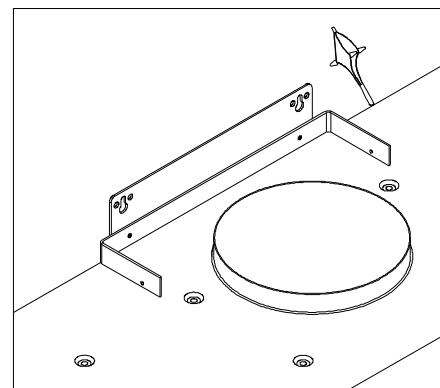


Figura 15

## Instalación de la Cubierta de Conductos

- Marque la posición del soporte de montaje de la cubierta de conductos interna {J} (incluido). Utilice la referencia **E** de la Tabla 2 y las medidas en las páginas 91-93. Coloque y asegure el soporte de montaje de la cubierta de conductos interna {J} en la pared con dos tornillos (no incluidos). Refiérase a la Figura 15. **NOTA:** La cubierta interna de conductos cubrirá el soporte de montaje de la cubierta de conductos.
- Utilice un tubo redondo de 7" (siga los códigos de construcción en su área) para conectar el escape redondo en la campana a la red de conductos de arriba. Utilice cinta de aislar para asegurar que todas las uniones queden seguras y herméticas.
- Deslice la cubierta interna de conductos hasta 2 pulgadas antes de deslizar completamente la cubierta de conductos en la campana. Refiérase a la Figura 16.
- Ajuste el alto de la cubierta interna de conductos al soporte de montaje interno de la cubierta de conductos. Asegure la cubierta interna de conductos con dos tornillos de (1/8" x 3/8") (incluidos).
- Sujete la cubierta de conductos externa con el soporte de montaje de la cubierta de conductos externa {K} con dos tornillos (1/8" x 3/8") (incluidos) como se muestra en la Figura 17.

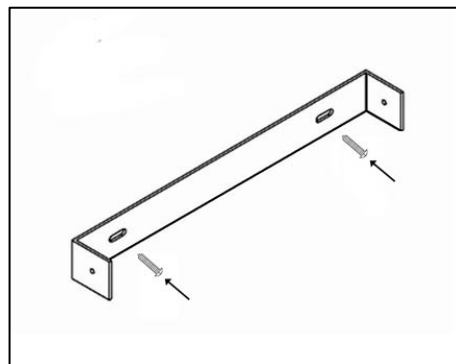


Figura 16

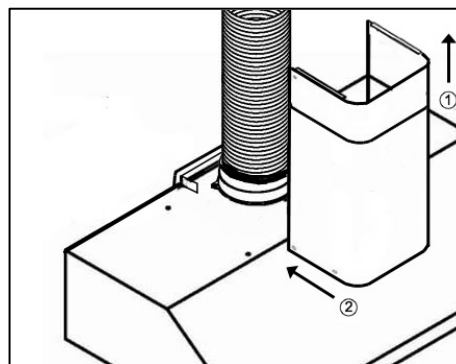
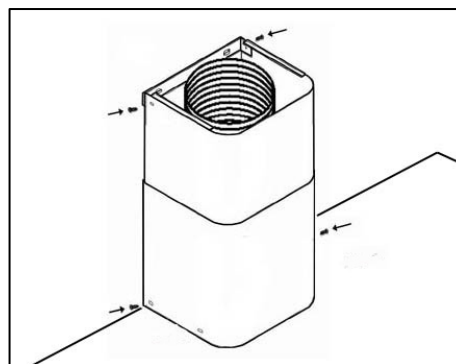


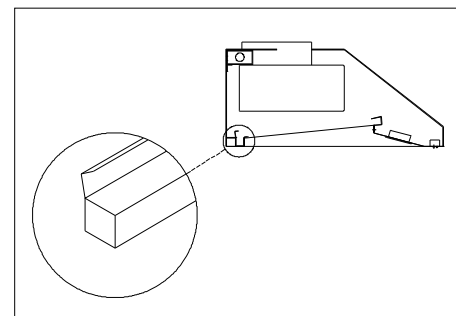
Figura 17



## Accesorios

- Deje caer el conducto de aceite dentro del soporte vacío cerca de la parte trasera de la campana. Refiérase a la Figura 18.
- Instale los filtros deflectores y los separadores inoxidable. Refiérase a las Medidas y Diagramas en la página 94 para la colocación del filtro deflector y de los separadores inoxidable. Coloque el filtro deflector en ángulo hacia la parte trasera de la campana ①. Empuje el filtro deflector hacia arriba hasta que casi este a nivel ②. Deslice hacia delante dentro del vacío detrás de la parte frontal de la campana ③. Baje el filtro deflector ④. Deslice hacia atrás hasta que encaje en su lugar. ⑤. Refiérase a la Figura 19.
- Repita el paso 12 para instalar todos los filtros deflectores y los separadores inoxidable.

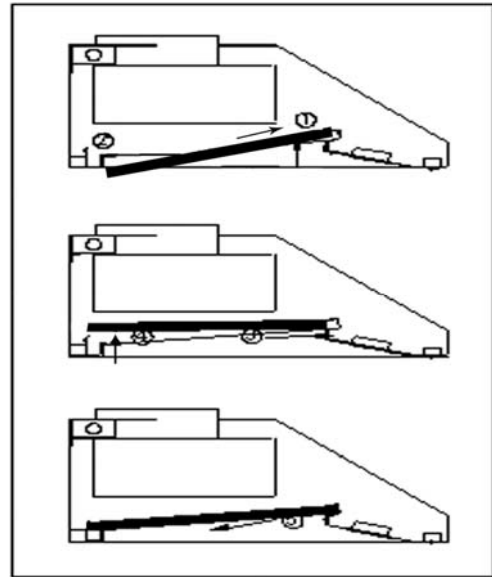
Figura 18



## Ensamblado Final

14. ENCIENDA en el panel de control. Revise el funcionamiento de todas las luces y el ventilador.
15. Asegúrese de dejar este manual para el propietario de la casa.

Figura 19

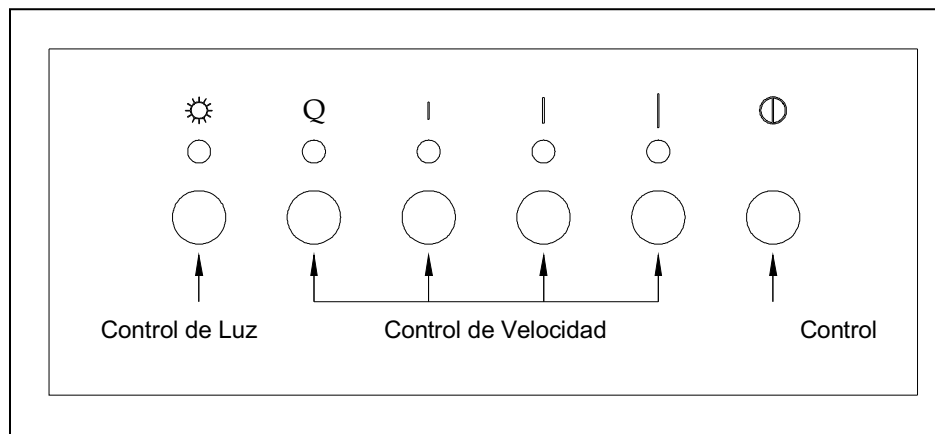


## INSTRUCCIONES DE OPERACIÓN

Esta campana KOBE está equipada con seis controles electrónicos, dos poderosas jaulas de ardilla centrífugas con conducto para aceite de acero inoxidable, filtros deflectores y separadores de acero inoxidable y focos brillantes de halógeno de 12-voltios 20-watts (2 para 30" y 36" y 3 para 42" y 48").

Los seis controles electrónicos controlan la Luz, Velocidad (QuietMode™, Baja, Media y Alta), y Encendido/Apagado. El Control de Encendido/Apagado ofrece una función de encendido con retraso de 10 segundos, apagado con retraso de 3 minutos o apagado inmediato. El Control de Luz opera independientemente y no es afectado por el apagado o encendido con retraso. (Fig. 20)

Figura 20

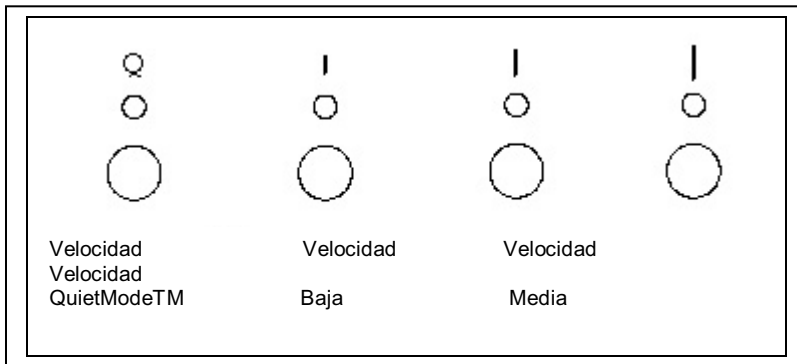


### ENCENDIENDO el Ventilador:

Siempre encienda los ventiladores antes de cocinar para establecer una corriente de aire y permita que los ventiladores funcionen unos pocos minutos después de cocinar para tener un aire más limpio en la cocina. El botón de Control de Encendido/Apagado debe ser presionado antes de que un botón de Control de Velocidad pueda ser activado.

- Presione el botón de Control de Encendido/Apagado una vez. Las cuatro luces LED arriba de los Controles de Velocidad titilarán, si un botón de Control de Velocidad no se presiona en 10 segundos, la energía se encenderá. Nota: El ajuste de luz no se verá afectado por el botón de Control de Encendido/Apagado.
- Presione un botón de Control de Velocidad para activar la velocidad deseada (la luz LED que está arriba del botón se encenderá).
- Para cambiar la velocidad del ventilador, presione el botón para la velocidad deseada. La luz LED de arriba del botón de velocidad le indicará la velocidad del ventilador.

**Figura 21**



### APAGANDO el Ventilador:

La función de retraso de 3 minutos solamente apagará los ventiladores. Los ajustes de luz no se verán afectados por la función de retraso.

#### Retraso de 3-Minutos

- Presione el botón de Control de Encendido/Apagado una vez, la luz LED para la velocidad activa titilará y los ventiladores se apagarán después de 3 minutos.
- Durante este retraso de 3 minutos, el cambiar de velocidades no afectará el conteo en cuenta regresiva de 3 minutos.

#### Apagado Inmediato

- Presione el botón de Control de Encendido/Apagado dos veces, los ventiladores se apagarán inmediatamente.

### Control de Luz:

El Control de Luz opera independientemente del Control de Encendido/Apagado y del de Retraso de 3 Minutos. Presionando el botón de Control de Encendido/Apagado o activando la función de retraso no apagará ni encenderá las lámparas de halógeno. La luz tiene tres ajustes: Alto, Bajo y Apagado.

- Presione el botón de Control de Luz para Encender las lámparas de halógeno.
- Presionar de nuevo el botón de Control de Luz cambiará el ajuste a Bajo.
- Cada vez que se presione el botón de Control de Luz cambiará en ciclo la intensidad de luz entre Alto, Bajo y Apagado.

## **⚠ ADVERTENCIA DE SEGURIDAD**

**NUNCA PONGA SU MANO DENTRO DEL ÁREA QUE ALBERGA EL VENTILADOR MIENTRAS SE ENCUENTRE OPERANDO.**

### Limpiando la Superficie de la Campana

**⚠ PRECAUCIÓN:** NUNCA UTILICE LIMPIADORES, ALMOHADILLAS, PAÑOS ABRASIVOS. NO UTILICE TOALLAS DE PAPEL SOBRE EL ACERO INOXIDABLE.

Para un funcionamiento óptimo, limpie la campana de extracción y todos los deflectores/separadores/filtros/conductos de aceite/recipientes para aceite con regularidad.

\*\*\* El cuidado regular ayudará a preservar la apariencia de la campana.

1. Utilice solamente jabón o soluciones detergentes suaves. Seque las superficies utilizando un paño suave.
2. Si la campana se ve manchada (campana de acero inoxidable), utilice un limpiador para acero inoxidable para limpiar la superficie de la campana. Evite que la solución de limpieza caiga sobre o en el panel de control. Siga las instrucciones del limpiador de acero inoxidable.  
**Precaución: No lo deje por mucho tiempo pues podría dañar el acabado de la campana.** Utilice una toalla suave para limpiar la solución de limpieza y frote cuidadosamente cualquier área difícil de limpiar. Utilice una toalla suave y seca para secar la campana.
3. NO permita que depósitos se acumulen o permanezcan sobre la campana.
4. NO utilice lana de acero o cepillos de acero ordinarios. Pequeños pedazos de acero podrían adherirse a la superficie y causar óxido.
5. NO permita que soluciones de sal, desinfectantes, blanqueadores o compuestos de limpieza permanezcan en contacto con el acero inoxidable por periodos de tiempo prolongados. Muchos de estos compuestos contienen químicos, que podrían ser perjudiciales. Enjuague con agua después del contacto y seque con un paño limpio libre de pelusas.

### Para Limpiar deflectores/separadores/filtros/conductos de aceite/recipientes para aceite

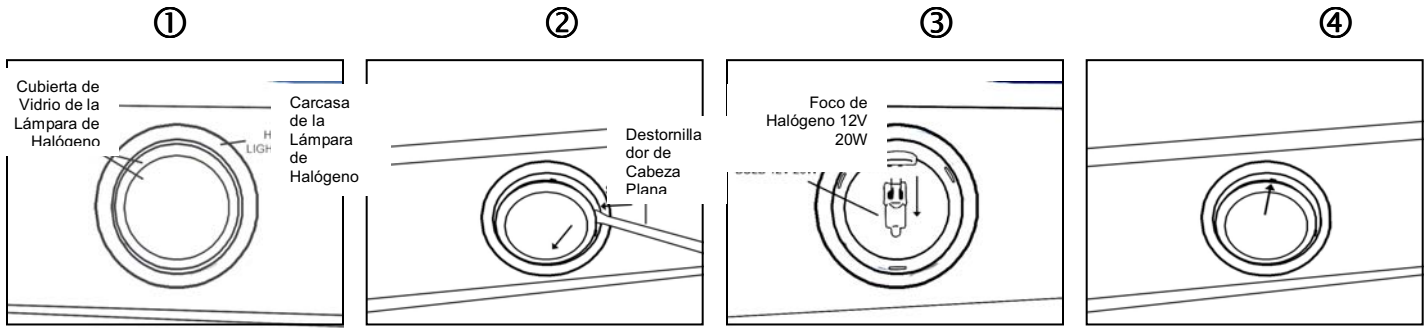
**⚠ PRECAUCIÓN:** DRENE EL ACEITE DE LOS DEFLECTORES, SEPARADORES, FILTROS, CONDUCTOS DE ACEITE Y RECIPIENTES PARA ACEITE ANTES DE QUE EL ACEITE Y LOS RESIDUOS SE DERRAMEN.

1. Remueve todos los deflectores, separadores, filtros, conductos de aceite, y recipientes para aceite. Siga las instrucciones para la instalación en reversa.
2. Deseche el aceite y residuo.
3. Lave con agua tibia y jabonosa. Seque bien antes de reemplazar.  
*(Nota: Los Deflectores, Separadores y Conductos de Aceite de Acero Inoxidable se pueden lavar en la parte alta del lavaplatos eléctrico)*

## Para Reemplazar los Focos

**PRECAUCIÓN: ¡LA UNIDAD DE LA LÁMPARA DE HALÓGENO PODRÍA ESTAR CALIENTE!  
ESPERE HASTA QUE SE ENFRÍE**

**NOTA: NO TOQUE LA LÁMPARA DE HALÓGENO CON LAS MANOS DESPROTEGIDAS, PUES  
PODRÍA CAUSAR SOBRECALENTAMIENTO Y REDUCIR EL TIEMPO DE VIDA DE LOS FOCOS.**



1. Asegúrese que todos los controles se encuentren APAGADOS y que la campana de extracción se encuentre desconectada.
2. Coloque el destornillador de cabeza plana en la ranura localizada entre la cubierta de vidrio de la lámpara de halógeno y la carcasa (1).
3. Retire cuidadosamente la cubierta de vidrio de la carcasa.(2).
4. Hale suavemente el foco inservible (3) y deséchelo. Los focos deberán ser de 12V 20W como máximo.
5. Utilice un guante o un paño para sujetar el nuevo foco y empújelo para colocarlo en el receptáculo para focos. NOTA: NO LO EMPUJE DEMASIADO FUERTE PUES PODRÍA QUEBRAR EL CONECTOR PARA FOCO.
6. Coloque nuevamente la cubierta de vidrio de la lámpara de halógeno(4).
7. Enchufe nuevamente el cable de corriente y encienda la campana de extracción para verificar su funcionamiento.

## ESPECIFICACIONES

MODELO / TAMAÑO	CH7630SQB / 30" CH7636SQB / 36" CH7642SQB / 42" CH7648SQB / 48"
<b>COLOR</b>	Acero Inoxidable de Clasificación Comercial
<b>CONSUMO / AMPERAJE</b>	CH7630SQB – 300W / 3A CH7636SQB – 300W / 3A CH7642SQB – 300W / 3A CH7648SQB – 300W / 3A
<b>VOLTAJE</b>	120V 60Hz
NUMERO DE MOTORES	2
DISEÑO TIPO DE VENTILADOR	Liso / Acabado Satinado Jaula de Ardilla Vertical Doble
EXTRACTOR	Superior Redondo de 7"
CONTROLES	Seis Botones Electrónicos
FOCOS DE HALÓGENO	CH7630SQB - 12V 20W x 2 CH7636SQB - 12V 20W x 2 CH7642SQB - 12V 20W x 3 CH7648SQB - 12V 20W x 3
DIMENSIÓN DE LA CAMPANA (ANCHO x PROFUNDIDAD x ALTO)	(CH7630SQB) 29-3/4" x 22" x 10" (CH7636SQB) 35-3/4" x 22" x 10" (CH7642SQB) 41-3/4" x 22" x 10" (CH7648SQB) 47-3/4" x 22" x 10"

		<u>Neto</u>	<u>Bruto</u>	
<b>PESO (lbs)</b>	<b>(CH7630SQB)</b>	49	58	
	<b>(CH7636SQB)</b>	53	64	
	<b>(CH7642SQB)</b>	62	75	
	<b>(CH7648SQB)</b>	69	84	
<b>VELOCIDAD</b>	<b>QuietMode™</b>	<b>Baja</b>	<b>Media</b>	<b>Alta</b>
<b>Capacidad de Aire (cfm)*</b>	385	460	560	700
<b>Sonio(dB)</b>	1.2(42)	3.0(56)	4.0(60)	5.0(64)

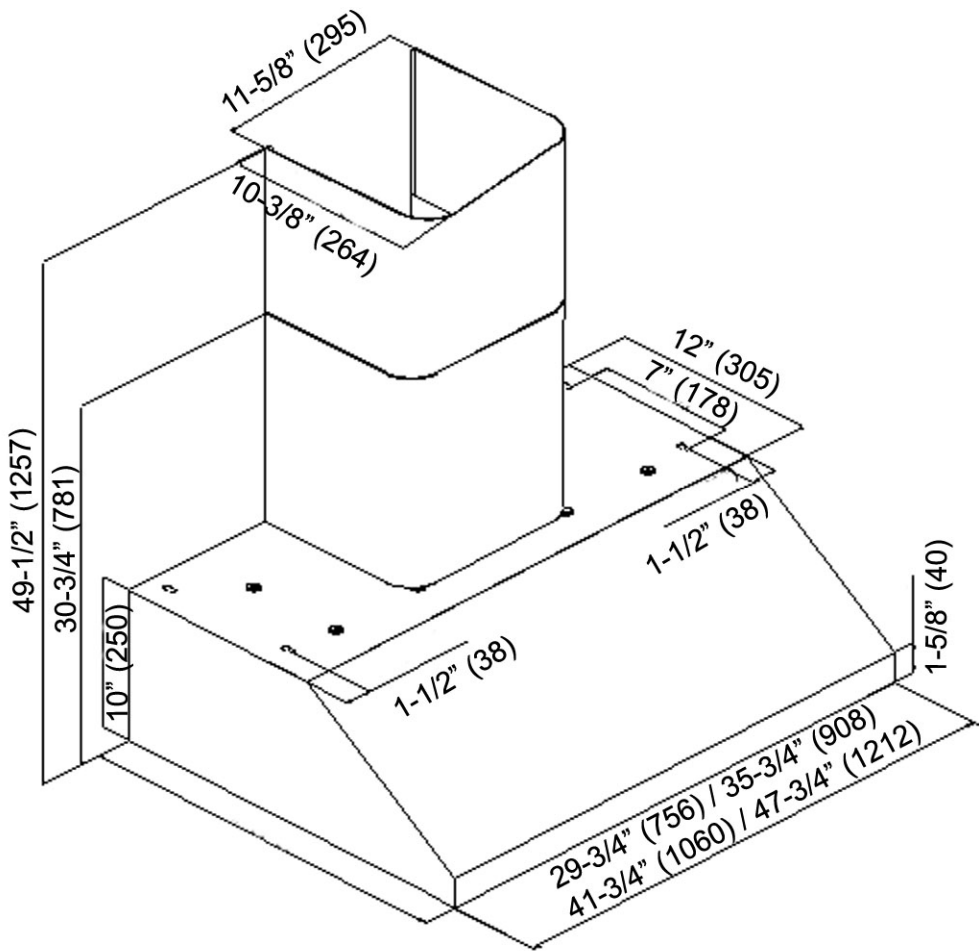
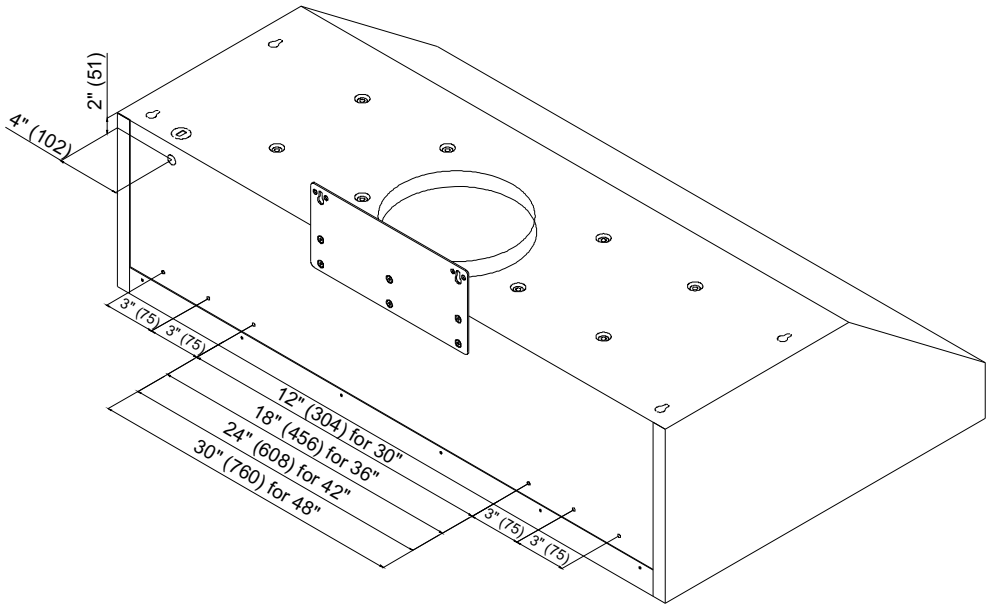
\*Estática de Prueba Realizada Internamente "0".

\*\*Las especificaciones están sujetas a cambio sin previo aviso.

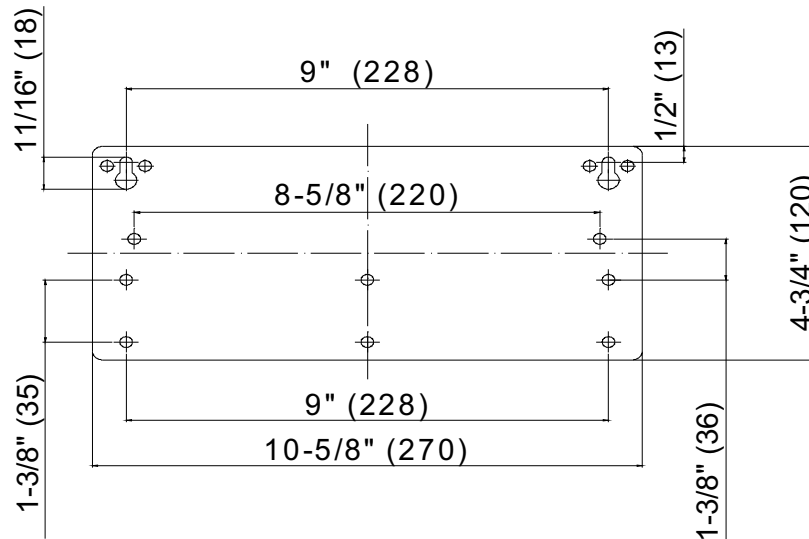




# Agujeros preperforados de atrás



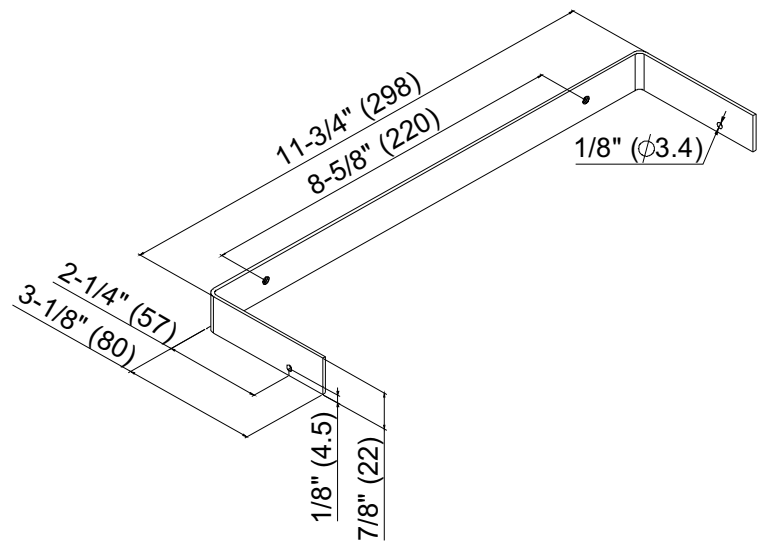
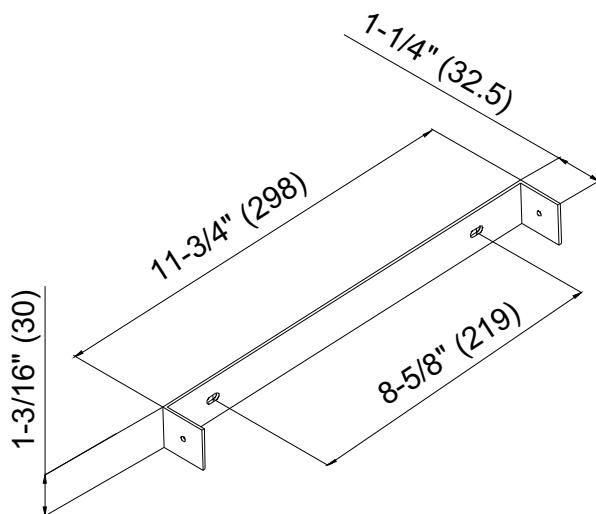
## Soporte de Montaje de la Campana



## SOPORTE DE MONTAJE DE LA CUBIERTA DE CONDUCTOS

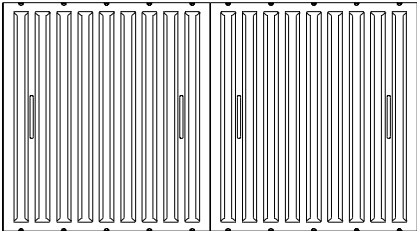
Soporte de Montaje de la Cubierta de Conductos Interna

Soporte de Montaje de la Cubierta de Montaje Externa

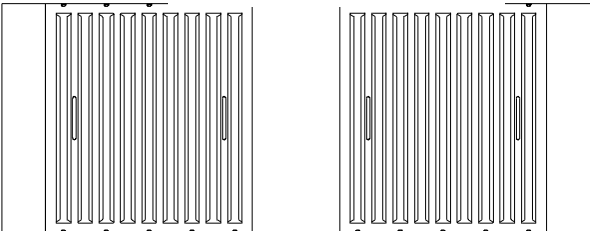


# FILTRO DEFLECTOR Y SEPARADORES DE ACERO INOXIDABLE

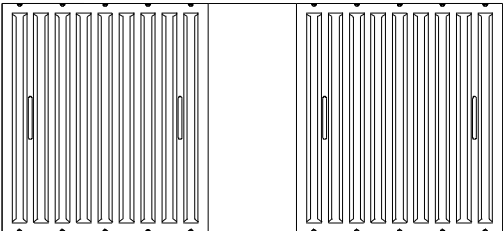
CAMPANA DE 32"



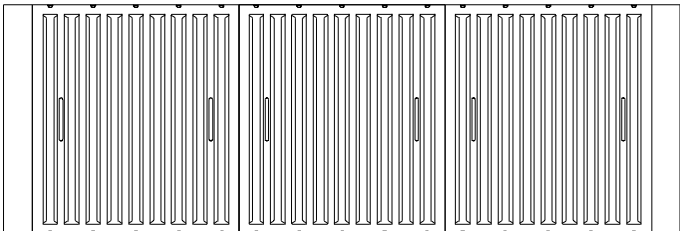
CAMPANA DE 42"



CAMPANA DE 36"



CAMPANA DE 48"

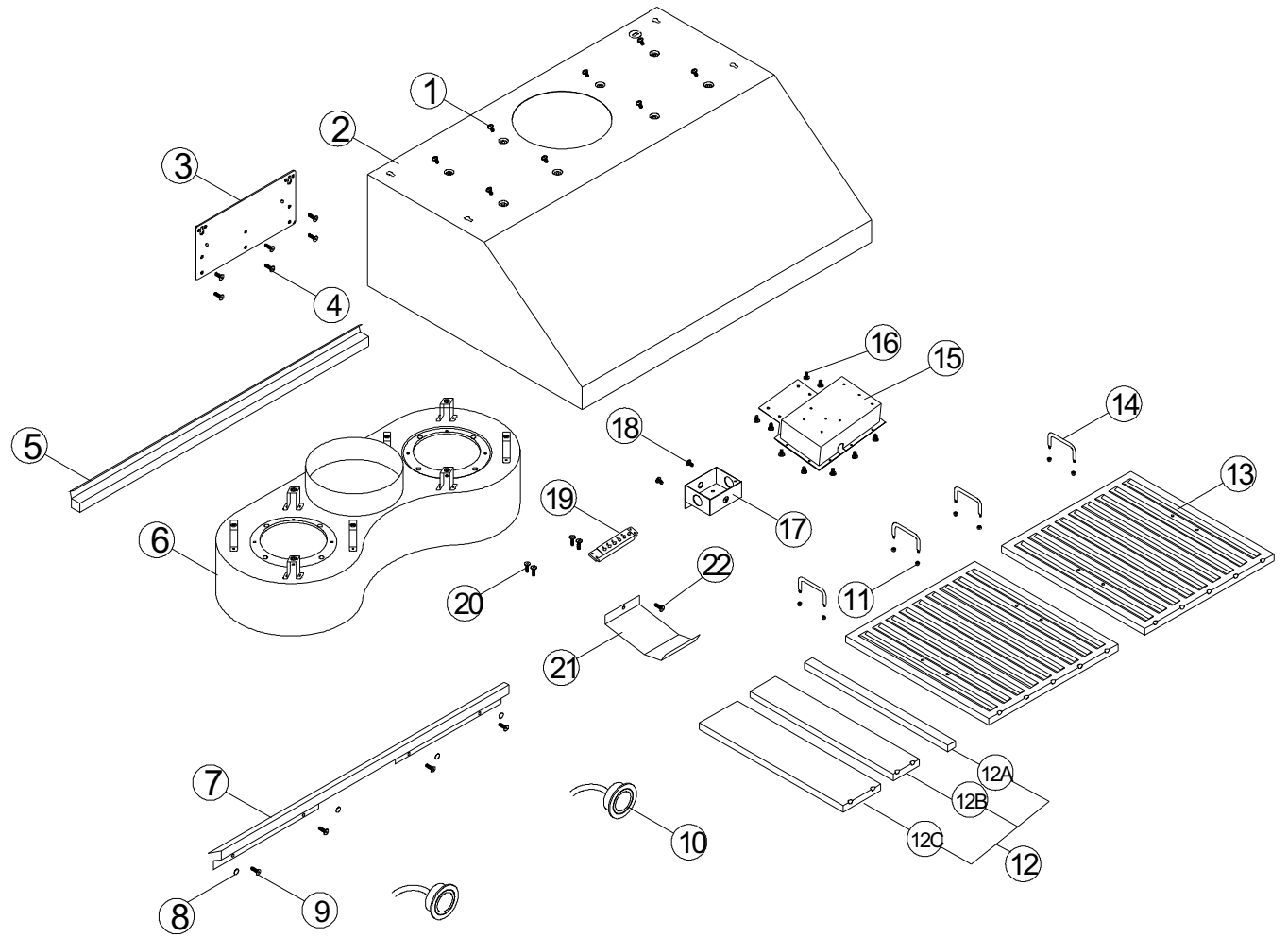


<b>LISTADO DE PIEZAS</b>
--------------------------

**MODELO** CH7630SQB  
**NO.:** CH7636SQB  
 CH7642SQB  
 CH7648SQB

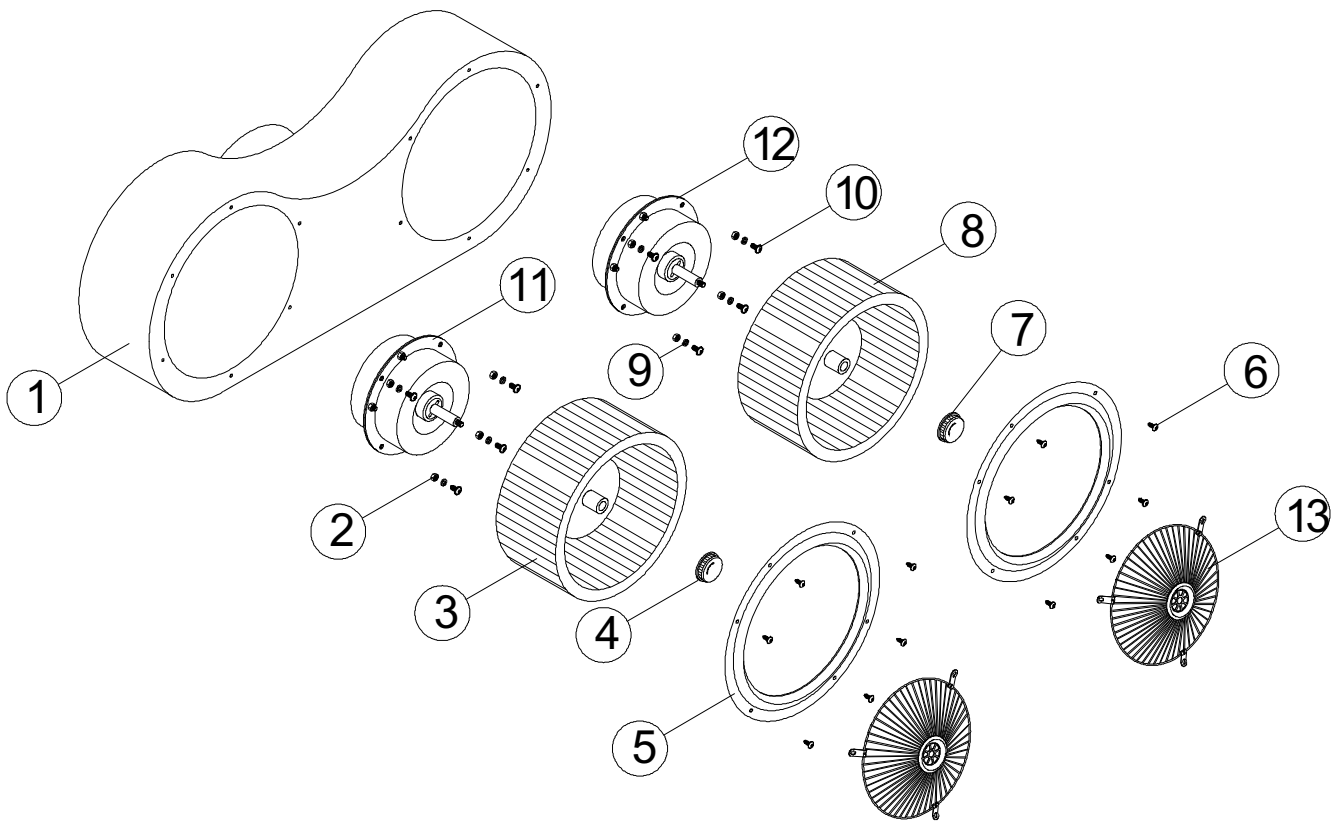
**Componentes del Equipo**

NO.	DESCRIPCIÓN	MODELO/TAMAÑO	PIEZA NO.
1	Tornillos (3/16" x 3/8")		CH176-1
2	Carcasa de la Campana		CH176-2
3	Soporte de Montaje de la Campana		CH176-3
4	Tornillos (3/16" x 3/8")		CH176-1
5	Conducto de Aceite de Acero Inoxidable		CH176-4
6	Ensamblado del Ventilador		CH176-5
7	Tablero de la Lámpara de Halógeno		CH176-6
8	Empaque		CH176-7
9	Tornillos (3/16" x 3/8")		CH176-1
10	Lámpara de Halógeno		CH176-9
11	Empaque		CH176-8
12	Separador de Acero Inoxidable		
A		CH7636SQB	CH176-11
B		CH7642SQB	CH176-12
C		CH7648SQB	CH176-18
13	Filtro Deflector		CH176-13
14	Manija del Deflector		CH176-14
15	Ensamblado Eléctrico		CH176-15
16	Tornillos (3/16" x 3/8")		CH176-1
17	Caja de Cables		CH176-16
18	Tornillos (3/16" x 3/8")		CH176-1
19	Ensamblado del Interruptor		CH176-17
20	Tornillos (3/16" x 3/8")		CH176-1
21	Panel		CH176-18
22	Tornillos (3/16" x 3/8")		CH176-1



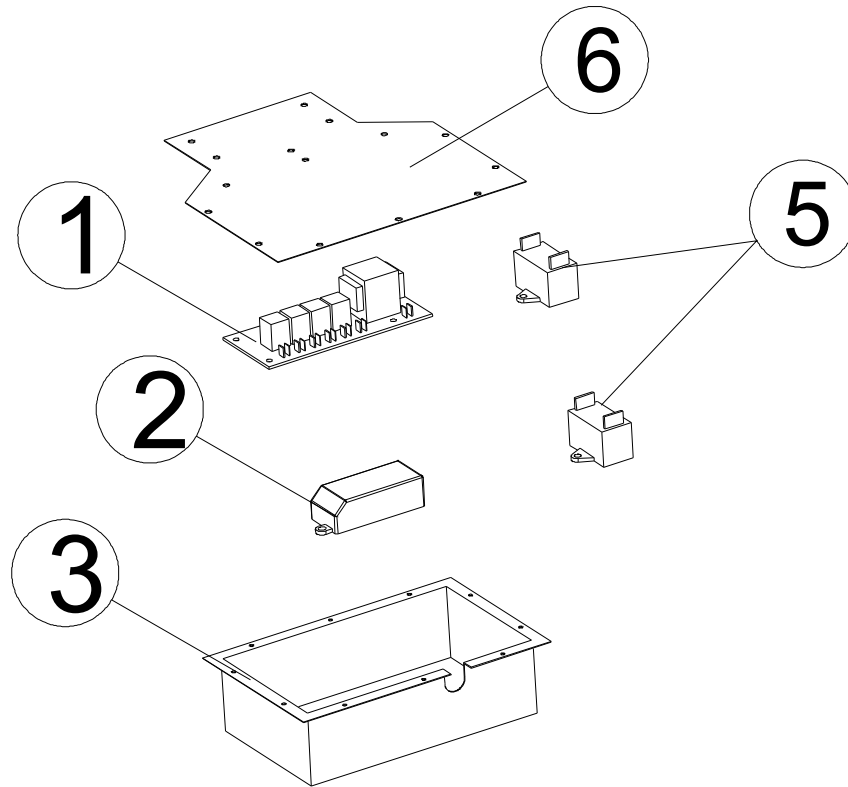
## Ensamblado del Ventilador

NO.	DESCRIPCIÓN	MODELO/TAMAÑO	PIEZA NO.
1	Cámara de Aire		CH176-6.1
2	Tapa del Tornillo		CH176-6.2
3	Jaula de Ardilla Izquierda		CH176-6.3
4	Tuerca Izquierda		CH176-6.4
5	Rejilla de Flujo de Aire		CH176-6.5
6	Tornillos (3/16" x 3/8")		CH176-6.6
7	Tuerca Derecha		CH176-6.7
8	Jaula de Ardilla Derecha		CH176-6.8
9	Empaque		CH176-6.9
10	Tornillos (3/16" x 3/8")		CH176-6.10
11	Motor Izquierdo		CH176-6.11
12	Motor Derecho		CH176-6.12
13	Pantalla de Seguridad		CH176-6.13



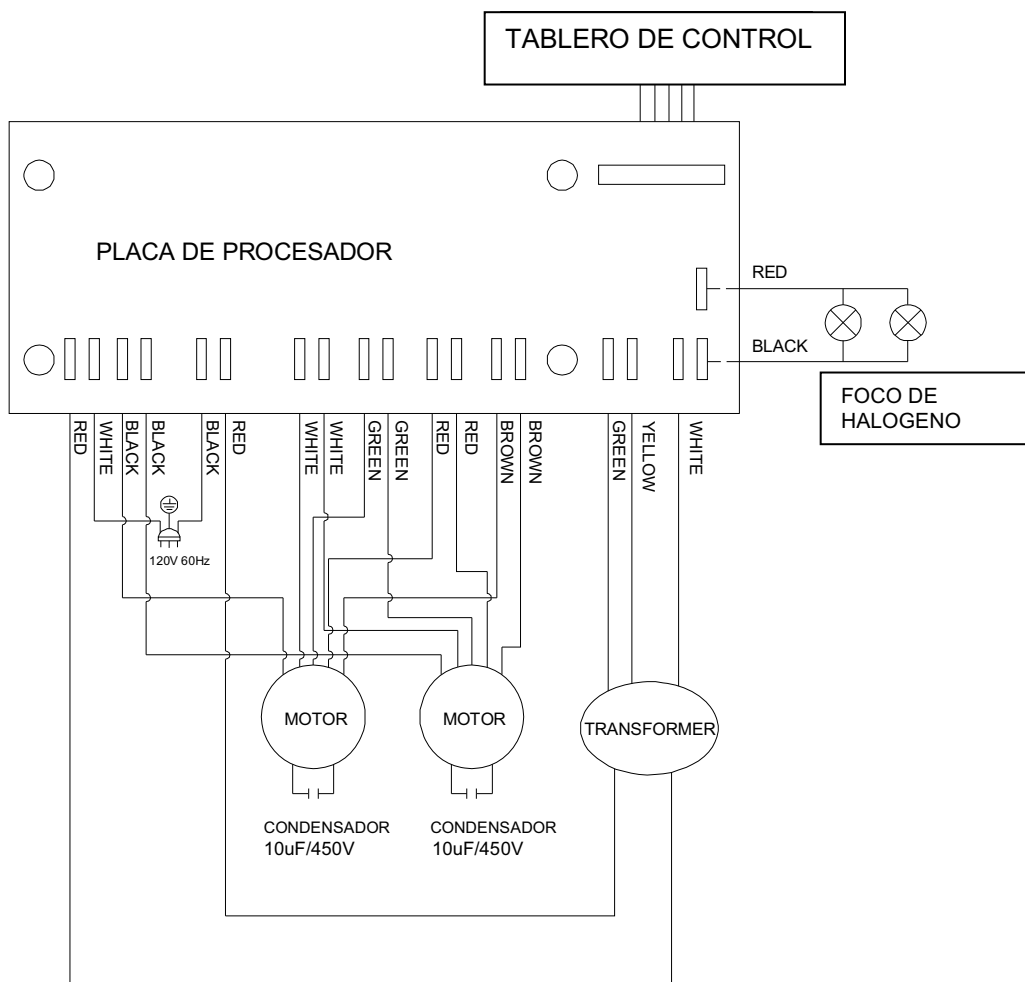
## Ensamblado Eléctrico

NO.	DESCRIPCIÓN	MODELO/TAMAÑO	PIEZA NO.
1	Placa de Procesador		CH176-15.1
2	Transformador		CH176-15.2
3	Caja Eléctrica		CH176-15.3
4	Cubierta de la Caja Eléctrica		CH176-15.4
5	Condensador		CH176-15.5
6	Tablero de Configuración		CH176-15.6



# DIAGRAMA DE CIRCUITO

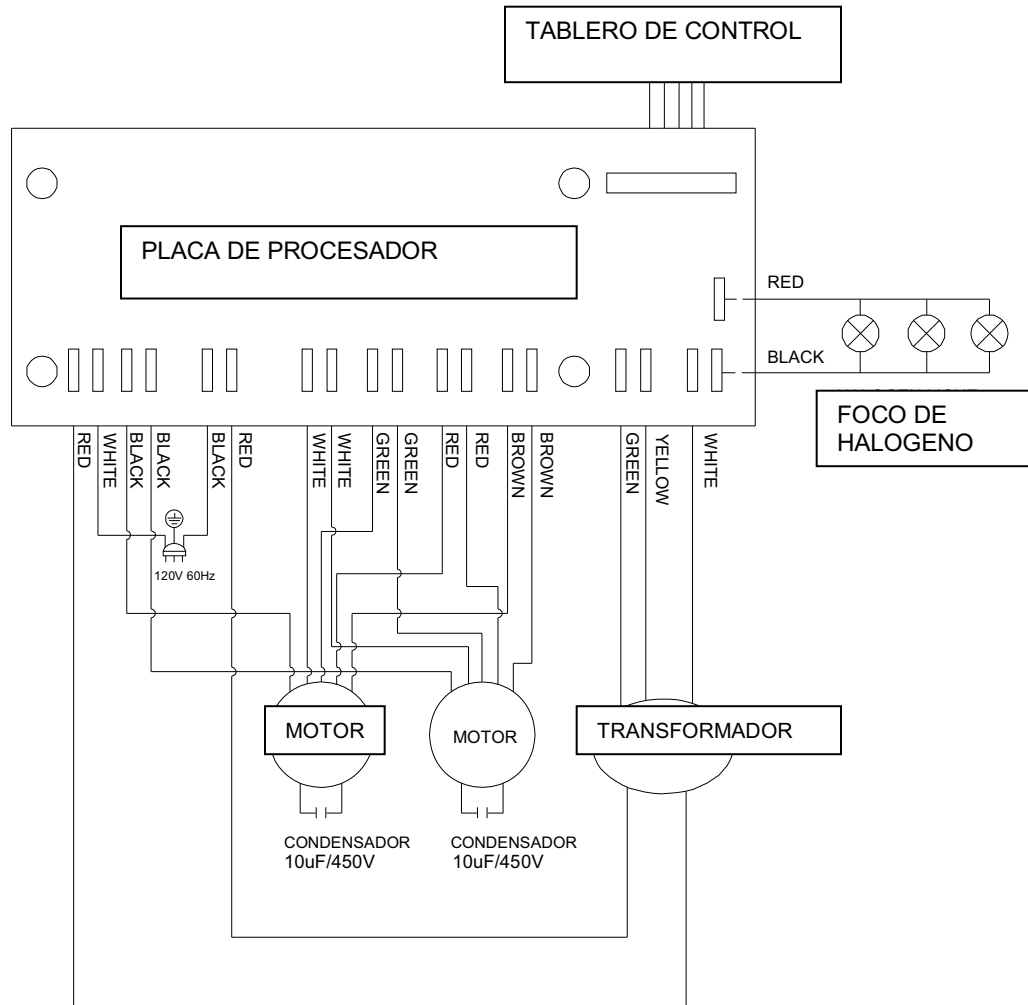
MODELO CH7630SQB  
NO.: CH7636SQB



BLACK = NEGRO    RED = ROJO    GREEN = VERDE  
BROWN = CAFÉ    WHITE = BLANCO    YELLOW = AMARILLO

MODELO  
NO.:

CH7642SQB  
CH7648SQB



BLACK = NEGRO    RED = ROJO    GREEN = VERDE  
BROWN = CAFÉ    WHITE = BLANCO    YELLOW = AMARILLO

## INSTRUCCIONES IMPORTANTES DE SEGURIDAD

Problema	Posible Causa	Solución
Después de la Instalación, ninguno de los motores ni las luces están funcionando.	No está encendido.	Asegúrese que el interruptor de circuitos y la unidad se encuentren encendidos. Utilice un medidor de voltaje para verificar la energía de entrada.
	La conexión de cables no está bien sujeta.	Verifique y ajuste la conexión de cables.
	El cableado del panel de control y la placa de procesador está desconectado.	Verifique la continuidad del cable desde el panel de control hasta la placa de procesador.
	El transformador del motor está defectuoso.	Verifique la entrada y salida de la corriente el transformador del motor. De ser necesario, reemplace el transformador del motor.
	El panel de control y la placa de procesador están defectuosos.	Reemplace el panel de control o la placa de procesador.
Las luces están funcionando pero el(los) motor(es) no.	El/los motor(es) está(n) defectuoso(s).	Reemplace el motor.
	El/los condensador(es) está(n) defectuoso(s).	Reemplace el(los) condensador(es).
	El panel de control o la placa de procesador están defectuosos.	Reemplace el panel de control o la placa de procesador.
La campana de extracción está vibrando.	El sistema de ventilador no está bien sujeto.	Tighten the turbine impeller/squirrel cage and air chamber.
	El impulsor de turbina/jaula de ardilla no está balanceado.	Ajuste el impulsor de turbina/jaula de ardilla y la cámara de aire.
	La campana no está bien sujeta en su lugar	Verifique la instalación de la campana, ajuste el soporte de montaje.
El motor está funcionando pero las luces no.	El(los) foco(s) de la Lámpara de Halógeno está(n) defectuoso(s).	Intente colocar el foco que le está dando problemas en otro receptáculo que funcione, si aún así éste no funciona, reemplace el foco de halógeno.
	El cableado de la luz está flojo.	Verifique la continuidad del cable desde la placa de procesador al transformador de la luz hasta la caja de la lámpara de halógeno.
	El transformador de la luz está defectuoso.	Verifique la entrada y salida de la corriente en el transformador de la luz. De ser necesario, reemplace el transformador de la luz.
	El panel de control o la placa de procesador están defectuosos.	Reemplace el panel de control o la placa de procesador.
La campana de extracción no está ventilando correctamente.	La campana de extracción no se encuentra instalada en el espacio recomendando por el fabricante.	Ajuste el espacio entre la campana y la parte superior de la estufa a 27" a 30". Para la campana de cocina de isla, el espacio entre la campana y la parte superior de la estufa deberá ser de 30" a 36"
	No hay aire de reposición en la casa.	Abra la ventana para optimizar el rendimiento de la campana de extracción creando suficiente aire de reposición.
	Una obstrucción bloquea la red de conductos.	Remueva todas las obstrucciones de la red de conductos.
	El tamaño del tubo es más pequeño que el tubo recomendado.	Cambie los tubos de acuerdo con la recomendación del fabricante.
Aire frío entra en la casa	La conexión de los conductos no está sellada correctamente.	Verifique la instalación de los tubos
	El regulador no está instalado adecuadamente o no ha sido instalado.	Verifique la instalación del regulador.
	El regulador no está instalado.	Instalar el regulador le ayudará a eliminar el reflujo de aire.

## CLÁUSULA DE EXENCIÓN

**1. INSPECCIONE CUIDADOSAMENTE TODOS LOS ARTÍCULOS VERIFICANDO QUE NO EXISTAN DAÑOS ANTES DE ACEPTAR LA ENTREGA. PIDA EL NOMBRE Y FIRMA DEL AGENTE DE TRANSPORTE Y CONSERVE UNA COPIA PARA RESPALDAR SU RECLAMO.** Al momento de aceptar los artículos, el propietario asume la responsabilidad de que lleguen de manera segura. Reporte los daños al transportista y presente un reclamo inmediatamente. El no hacerlo podría resultar en un rechazo de su reclamo. El transportista le entregará los formularios necesarios para presentar un reclamo. **LOS DAÑOS CAUSADOS DURANTE EL TRANSPORTE NO SE ENCUENTRAN CUBIERTOS BAJO NUESTRA GARANTÍA.**

**2. POR FAVOR, ¡INSPECCIONE LOS CONTENIDOS DEL PAQUETE(S) CUIDADOSAMENTE AL RECIBIRLOS!**

Se nos deberá notificar por escrito sobre cualquier daño y/o piezas faltantes dentro del periodo de días establecidos luego de haber recibido su paquete(s). Contacte a su distribuidor o concesionario KOBE o llame a KOBE para obtener información sobre el límite de tiempo. **LOS RECLAMOS NO SERÁN ACEPTADOS DESPUÉS DEL PERIODO DE DÍAS ESTABLECIDOS.** NOTA: LOS ARTÍCULOS FUERON SOMETIDOS A PRUEBAS Y EMPACADOS CUIDADOSAMENTE EN NUESTRA FABRICA ANTES DE SU ENVÍO.

3. Los productos deberán ser devueltos en buen funcionamiento con TODAS las piezas y documentación originales empacados en TODOS los cartones, rellenos y cajas de envío originales. Se cobrará una tarifa por reposición de existencias del 25% para todas las devoluciones aprobadas.

**LOS CAMBIOS O DEVOLUCIONES PODRÍAN NO ACEPTARSE SI FALTARA ALGÚN MATERIAL DE EMPAQUE.**

**4. ASEGÚRESE DE INSPECCIONAR LA CAMPANA VERIFICANDO QUE NO EXISTAN DAÑOS O DEFECTOS ANTES DE INSTALARLA.** Las imperfecciones en la apariencia de la campana que se encuentren después de que ésta haya sido instalada y que no afecten el rendimiento de la misma, no se encuentran cubiertas bajo nuestra garantía sobre devoluciones o cambios. Las visitas de servicio que no se encuentran cubiertas bajo la garantía incurrirán un cargo por servicio.

- C) Antes de la Instalación: Envíe de vuelta para cambio o reembolso (por favor consultar lo anterior para averiguar sobre las devoluciones aceptadas).
- D) Después de la Instalación: **NO** habrá ningún cambio ni reembolso.

### CERTIFICADO DE GARANTÍA

KOBE Range Hoods, Inc. garantiza que todos los productos fabricados o proporcionados por la compañía se encontrarán libres de defectos en cuanto a mano de obra y materiales. Sus obligaciones según esta garantía se encuentran limitadas a un periodo de dos años a partir de la fecha de compra y a reparar o reemplazar a su elección y sujeto a los términos y condiciones establecidas a continuación, cualquier pieza, que luego de ser examinada demuestre que estaba defectuosa.

### PERIODO DE SERVICIO DE LA GARANTÍA DE DOS AÑOS

Cualquier avería cubierta que ocurra dentro de un periodo de dos años a partir de la fecha de compra original que surja a causa de mano de obra o material defectuoso de fábrica será reparada (o reemplazada a nuestra discreción) sin costo alguno por parte de un Agente autorizado de KOBE Range Hoods o KOBE Range Hoods según corresponda.

Tenga a la mano un comprobante de compra (o la factura original) para su verificación.

Si la campana de extracción ha sido vendida por el comprador original durante el periodo de garantía, el nuevo propietario estará protegido hasta que la garantía del comprador original se venza.

### CONDICIONES

Las siguientes condiciones aplican solamente en relación a la garantía otorgada explícitamente por este certificado.

- 1) Esta garantía aplica solamente:
  - a) Dentro de EE.UU. y Canadá.
  - b) A las campanas de extracción de USO UNIFAMILIAR PRIVADO (si han sido utilizadas COMERCIALMENTE o USO MULTIFAMILIAR u otros propósitos, la garantía se anulará).
- 2) La reparación de cualquier avería a proporcionarse bajo esta garantía no se proporcionará:
  - a) si el número de identificación colocado en la campana de extracción ha sido alterado, se considera ilegible o ha sido removido;
  - b) si no se ha presentado una notificación del defecto dentro del periodo de tiempo correspondiente;
  - c) fallo de los focos de la luz o lámparas de calor;
  - d) por daños físicos;
  - e) por superficies dañadas por la utilización de agentes de limpieza químicos no adecuados;
  - f) si el aparato ha:
    - i) estado sujeto a uso inadecuado, abuso, negligencia, accidentes, instalación incorrecta o el no seguir las instrucciones de operación;
    - ii) sido conectado a fuentes eléctricas, conductos de extracción, tubos o cubierta de conductos inadecuados, incorrectos o defectuosos, u operado utilizando lubricantes contaminados o incorrectos;
    - iii) sido instalado, mantenido u operado de manera distinta a lo que se ha estipulado en las instrucciones proporcionadas por KOBE Range Hoods incluyendo el uso inadecuado de detergentes, blanqueadores o limpiadores.
  - g) por daños causados a la campana de extracción durante su transporte, entrega, instalación o al quitarla;
  - h) por daños causados por o que resulten de reparaciones conducidas por cualquier otra persona que no sea nuestro Agente de Servicio Autorizado.
  - i) ruido o vibración causada por una instalación incorrecta de la campana de extracción y/o el regulador.

- 3) El comprador será el responsable por cualquier gasto relacionado a hacer que la campana de extracción se encuentre preparada para que se le dé servicio y también cuando la campana de extracción se encuentre instalada fuera del territorio de venta principal del minorista o el territorio de servicio del Agente autorizado de KOBE Range Hoods más cercano según corresponda, por cualquier gasto de viaje y cualquier costo de transporte de la campana de extracción y piezas desde y hacia el concesionario y Agente de Servicio.
- 4) El comprador deberá proporcionar un comprobante de compra junto con este certificado de garantía al presentar un reclamo.
- 5) Los daños causados durante el envío no se encuentran cubiertos bajo nuestra garantía.

### **DAÑOS EMERGENTES**

El garante no se hace responsable por ningún daño emergente. ALGUNOS ESTADOS NO PERMITEN LA EXCLUSIÓN DE DAÑOS EMERGENTES ASÍ QUE LA EXCLUSIÓN ANTERIOR PODRÍA NO CORRESPONDERLE.

### **GARANTÍAS IMPLÍCITAS/LEY ESTATAL**

Cualquier garantía implícita, incluyendo la garantía implícita de comerciabilidad y adecuación al objetivo, impuestas al momento de la venta por las leyes del estado de venta se encuentran limitadas a dos años a partir de la fecha original de compra. Algunos estados no permiten límites en cuanto a la duración de las garantías implícitas. Esta garantía le otorga derechos legales específicos y podría también incluir derechos, que varían de estado en estado.

### **SERVICIO**

Para servicio contacte a:

KOBE Range Hoods  
11775 Clark St.  
Arcadia, CA 91006, U.S.A.  
Tel: 1-877-BUY-KOBE (1-877-289-5623)  
Correo electrónico: [customer.service@KOBERangeHoods.com](mailto:customer.service@KOBERangeHoods.com)  
Sitio de Internet: [www.KOBERangeHoods.com](http://www.KOBERangeHoods.com)

## REGISTRO DEL PRODUCTO

¡Registre su Producto!

Cualquier avería cubierta que ocurra dentro de un periodo de dos años a partir de la fecha de compra original que surja a causa de mano de obra o material defectuoso de fábrica será reparada, o a nuestra discreción, la unidad será reemplazada sin costo alguno por parte de un Agente autorizado de KOBE Range Hoods o KOBE Range Hoods según corresponda. Tenga a la mano un comprobante de compra (factura original) para su verificación.

Si la campana de extracción ha sido vendida por el comprador original durante el periodo de garantía, el nuevo propietario estará protegido hasta que la garantía del comprador original se venza. Consulte la sección de la garantía para obtener la información completa sobre la cobertura de la garantía.

Este aparato ha sido fabricado, sometido a pruebas e inspeccionado según los estándares requeridos por KOBE Range Hoods.

**POR FAVOR, ENVÍE POR CORREO SU TARJETA DE REGISTRO DE GARANTÍA Y EL COMPROBANTE DE COMPRA A:**

KOBE Range Hoods  
11775 Clark St.  
Arcadia, CA 91006, U.S.A.

**ESCRIBA LA SIGUIENTE INFORMACIÓN PARA SUS ARCHIVOS:**

Modelo No. \_\_\_\_\_

No. de Serie \_\_\_\_\_

Fecha de Compra                    \_\_\_\_ / \_\_\_\_ / \_\_\_\_

Comprado En:

\_\_\_\_\_

\_\_\_\_\_

\_\_\_\_\_

**IMPORTANTE: POR FAVOR, TENGA A LA MANO UNA COPIA DE SU RECIBO DE VENTA O FACTURA AL SOLICITAR SERVICIO.**

**KOBE**<sup>®</sup>

KOBE Range Hoods  
11775 Clark St.  
Arcadia, CA 91006, U.S.A.

<http://www.KOBERangeHoods.com>

Esta campana de extracción KOBE ha sido fabricada para ser utilizada únicamente en EE.UU. y CANADÁ. No recomendamos la utilización de esta campana en el extranjero debido a que la fuente de energía podría no ser compatible y podría violar el código eléctrico de dicho país. **Utilizar una campana KOBE en el extranjero será a su propio riesgo y anulará la garantía.**

VER.080318