



# Under Cabinet or Wall Mount CH-101 Series

(New Multi-Color LCD Touch Screen Available in January 2010)

So Quiet...

You Won't Believe It's On!



Model No. CH0130SQB (30")  
CH0136SQB (36")  
CH0142SQB (42")  
CH0148SQB (48")



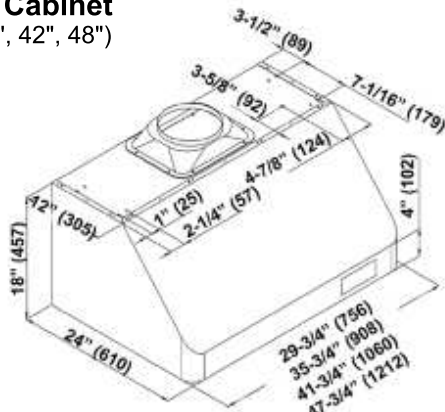
CH-101 Series shown with optional duct cover.

Multi-Color  
LCD Touch Control

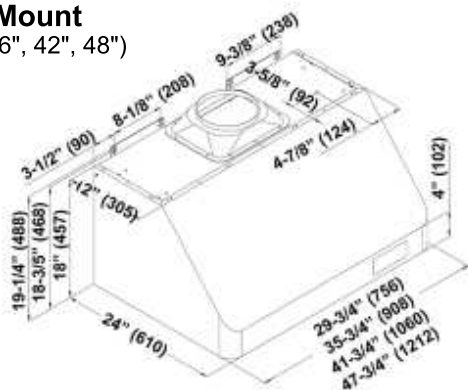


<b>Appearance</b>	
Stainless Steel	•
Seamless	•
<b>Performance</b>	
CFM	400 to 1000
Sone / Decibel	1.4 to 8.0 / 45dB to 70dB
QuietMode™	1.4 Sones / 45dB
<b>Features</b>	
Halogen Light	12V 20W x 2 (30", 36") - 2 Level Lighting
	12V 20W x 3 (42", 48") - 2 Level Lighting
Heat Lamp	2 Heat Lamp Sockets Included (175W Bulbs Not Included)
Power Supply	120V 60Hz
Consumption	w/ Heat Lamp 650W 5.59A (30" & 36") w/ Heat Lamp 670W 5.77A (42" & 48")
No. of Speed / Control	<b>NEW</b> 4 / Multi-Color LCD Touch Control / ISC (Integrated Sensor Control) / Filter Indicator
Fan Type	Double Horizontal Squirrel Cage
Ducting	Top Transition Rectangular to 8" Round
Filter	Baffle (30", 36", 42" - x 2), (48" - x 3)
<b>Optional Accessories</b>	
Duct Cover	CH0030DC-12 (30")
	CH0036DC-12 (36")
	CH0042DC-12 (42")
	CH0048DC-12 (48")
Stainless Steel Back Splash	SSP30 (30" x 32"), SSP36 (36" x 32")

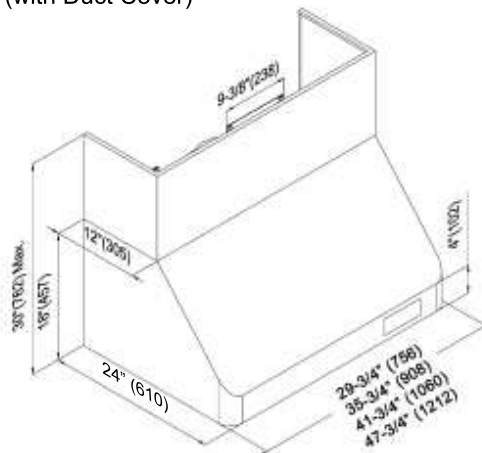
## Under Cabinet (30", 36", 42", 48")



## Wall Mount (30", 36", 42", 48")

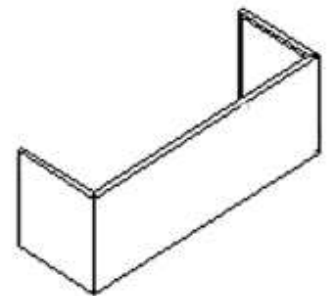


## Wall Mount (with Duct Cover)



## Optional Accessories

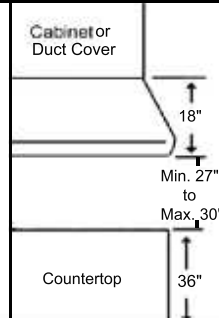
### Duct Cover



Model No. CH0030DC-12  
CH0036DC-12  
CH0042DC-12  
CH0048DC-12

Information subject to change without notice.

Measurement in inches (mm). Inches are converted from millimeter and are estimated.



\* Building code may vary.